

IBM System Storage DS5020 EXP520  
Storage Expansion Enclosure

*Installation, User's, and Maintenance  
Guide*



**Note:**

Before using this information and the product it supports, be sure to read the general information in the “Safety” on page xi and “Notices” on page 139 sections.

This edition applies to the IBM System Storage DS5020 EXP520 Storage Expansion Enclosure with controller firmware version 7.60, and to all subsequent releases and modifications until otherwise indicated in new editions.

This edition replaces GA32-0957-03.

© Copyright IBM Corporation 2009, 2013.

US Government Users Restricted Rights – Use, duplication or disclosure restricted by GSA ADP Schedule Contract with IBM Corp.

---

# Contents

<b>Figures</b> . . . . .	vii
<b>Tables</b> . . . . .	ix
<b>Safety</b> . . . . .	xi
<b>About this document</b> . . . . .	xvii
Who should read this document . . . . .	xvii
How this document is organized . . . . .	xvii
DS4000 and DS5000 Storage Subsystem installation tasks - General overview	xviii
Getting information, help, and service . . . . .	xxiii
Before you call . . . . .	xxiii
Using the documentation . . . . .	xxiii
Finding Storage Manager software, controller firmware, and README files	xxiii
IBM System Storage Productivity Center . . . . .	xxiv
Essential Web sites for DS4000/DS5000 support information . . . . .	xxiv
Software service and support . . . . .	xxv
Hardware service and support . . . . .	xxv
Fire suppression systems . . . . .	xxvi
<b>Chapter 1. Introduction</b> . . . . .	1
Overview . . . . .	1
Operating system support . . . . .	2
FC-SAS defined . . . . .	2
Fibre channel defined . . . . .	2
SAS defined . . . . .	2
SATA defined . . . . .	2
T10 PI defined . . . . .	3
Inventory checklist . . . . .	3
EXP520 components . . . . .	3
Enhanced Disk Drive Modules (E-DDMs) . . . . .	4
Environmental Service Modules (ESMs) . . . . .	5
Connectors, switch, and enclosure ID . . . . .	5
Rear drive channel ports . . . . .	6
Power supply and fan units . . . . .	6
Small Form-Factor Pluggable (SFP) modules . . . . .	8
Software and hardware compatibility and upgrades . . . . .	9
Software and firmware support code upgrades . . . . .	9
EXP520 hardware and software compatibility . . . . .	10
Determining firmware levels . . . . .	10
Receiving product updates and support notifications . . . . .	11
Best practices guidelines . . . . .	12
Specifications . . . . .	13
Area requirements . . . . .	13
Dimensions . . . . .	13
Weight . . . . .	13
Shipping dimensions . . . . .	14
Environmental requirements and specifications . . . . .	14
Temperature and humidity . . . . .	14
Altitude . . . . .	15
Airflow and heat dissipation . . . . .	15
Shock and vibration requirements . . . . .	16
Acoustic noise . . . . .	16

Electrical requirements . . . . .	17
Power and site wiring requirements for models with power supply and fan units . . . . .	17
Heat output, airflow, and cooling . . . . .	18
<b>Chapter 2. Installing the EXP520.</b> . . . . .	21
Installation overview . . . . .	21
Handling static-sensitive devices . . . . .	22
Preparing for installation . . . . .	22
Tools and hardware required . . . . .	23
Preparing the site . . . . .	23
Preparing the rack . . . . .	24
Installing the support rails . . . . .	24
Installing the EXP520 into a rack . . . . .	28
<b>Chapter 3. Cabling the EXP520</b> . . . . .	31
Enclosure ID settings . . . . .	31
Fibre channel loop and ID settings. . . . .	32
Cabling the EXP520 . . . . .	32
Installing SFP modules . . . . .	33
Removing SFP modules . . . . .	35
Handling fibre-optic cables . . . . .	36
Using LC-LC fibre-channel cables . . . . .	37
Connecting an LC-LC cable to an SFP module . . . . .	38
Removing an LC-LC fibre-channel cable . . . . .	39
Cabling rules and recommendations . . . . .	40
Cabling the EXP520 to a storage subsystem . . . . .	41
EXP520 loop redundancy . . . . .	43
Example of a correct redundant drive loop . . . . .	43
Cabling the power supply . . . . .	44
<b>Chapter 4. Operating the EXP520</b> . . . . .	45
Performing the EXP520 Health Check process . . . . .	45
Web pages . . . . .	46
Hardware responsibilities . . . . .	46
Powering on the EXP520 . . . . .	47
Turning on the EXP520. . . . .	47
Firmware updates . . . . .	49
Finding controller, storage expansion enclosure, and drive information . . . . .	50
Troubleshooting the storage expansion enclosure . . . . .	50
Checking the LEDs . . . . .	51
The power supply and fan unit LEDs . . . . .	51
Front LEDs . . . . .	52
Rear LEDs . . . . .	53
Seven-segment numeric display . . . . .	54
Powering off the storage expansion enclosure . . . . .	57
Turning off the EXP520. . . . .	57
Performing an emergency shutdown . . . . .	60
Restoring power after an unexpected shutdown . . . . .	60
Recovering from an overheated power supply and fan unit. . . . .	61
<b>Chapter 5. Installing and replacing components</b> . . . . .	65
Service Action Allowed Status LED . . . . .	65
Adding the EXP520 to an existing and configured redundant drive channel/loop pair . . . . .	65
Working with hot-swap E-DDMs . . . . .	68

Installing hot-swap hard disk drives . . . . .	70
Replacing hot-swap hard disk drives . . . . .	72
Replacing multiple E-DDMs . . . . .	73
Replacing all E-DDMs at the same time. . . . .	74
Replacing the drives one at a time. . . . .	76
Replacing a power supply and fan unit . . . . .	78
Replacing an Environmental Service Module (ESM) . . . . .	83
Replacing an SFP module . . . . .	85
Replacing a midplane . . . . .	87
<b>Chapter 6. Hardware maintenance . . . . .</b>	<b>93</b>
General checkout . . . . .	93
Solving problems . . . . .	93
Parts listing. . . . .	101
Determining basic information of drive FRUs . . . . .	103
<b>Appendix A. Records . . . . .</b>	<b>105</b>
Identification numbers . . . . .	105
Storage subsystem and controller information record . . . . .	106
Sample information record . . . . .	107
Installed device records . . . . .	108
<b>Appendix B. Rack mounting template . . . . .</b>	<b>109</b>
<b>Appendix C. Specifications for non-IBM rack installation. . . . .</b>	<b>113</b>
General safety requirements for IBM products installed in a non-IBM rack or cabinet . . . . .	113
Rack specifications . . . . .	115
<b>Appendix D. Power cords . . . . .</b>	<b>121</b>
<b>Appendix E. Additional System Storage DS documentation . . . . .</b>	<b>125</b>
DS Storage Manager Version 10 library . . . . .	125
DS5100 and DS5300 Storage Subsystem library . . . . .	126
DS5020 Storage Subsystem library . . . . .	126
DS4800 Storage Subsystem library . . . . .	127
DS4700 Storage Subsystem library . . . . .	128
DS4500 Storage Subsystem library . . . . .	129
DS4400 Storage Subsystem library . . . . .	130
DS4300 Storage Subsystem library . . . . .	131
DS4200 Express Storage Subsystem library . . . . .	132
DS4100 Storage Subsystem library . . . . .	133
DS5000 Storage Expansion Enclosure documents . . . . .	134
DS5000 Storage Expansion Enclosure documents . . . . .	134
Other DS and DS-related documents . . . . .	136
<b>Appendix F. Accessibility . . . . .</b>	<b>137</b>
<b>Notices . . . . .</b>	<b>139</b>
Trademarks. . . . .	140
Important notes . . . . .	141
Particulate contamination. . . . .	141
Documentation format. . . . .	142
Electronic emission notices . . . . .	142
Federal Communications Commission (FCC) Class A Statement . . . . .	142
Industry Canada Class A Emission Compliance Statement . . . . .	143

Avis de conformité à la réglementation d'Industrie Canada . . . . .	143
Australia and New Zealand Class A Statement. . . . .	143
European Union EMC Directive Conformance Statement . . . . .	143
Germany Electromagnetic Compatibility Directive . . . . .	144
Japan Voluntary Control Council for Interference (VCCI) Class A Statement	145
Japan Electronics and Information Technology Industries Association (JEITA) Statement . . . . .	145
Korea Communications Commission (KCC) Class A Statement. . . . .	145
Russia Electromagnetic Interference (EMI) Class A Statement . . . . .	145
People's Republic of China Class A Electronic Emission Statement . . . .	146
Taiwan Class A Electronic Emission Statement. . . . .	146
Taiwan Contact Information . . . . .	146
<b>Glossary</b> . . . . .	<b>147</b>
<b>Index</b> . . . . .	<b>157</b>

---

# Figures

1.	EXP520 hot-swap drive bays . . . . .	4
2.	Rear view of drive channel ports . . . . .	6
3.	Power supply and fan unit components . . . . .	7
4.	Power supply and fan unit and airflow . . . . .	8
5.	SFP module and fibre optic cable . . . . .	9
6.	EXP520 dimensions . . . . .	13
7.	EXP520 airflow . . . . .	16
8.	Example of cold aisle/hot aisle rack configuration . . . . .	19
9.	Front rack mounting template . . . . .	25
10.	Rear rack mounting template . . . . .	26
11.	Installing the support rails . . . . .	28
12.	Installing the EXP520 . . . . .	29
13.	Securing the storage expansion enclosure to the rack . . . . .	30
14.	Storage expansion enclosure seven-segment enclosure ID . . . . .	32
15.	SFP module and protective cap . . . . .	34
16.	Installing an SFP module into the host port . . . . .	35
17.	Unlocking the SFP module latch - plastic variety . . . . .	35
18.	Unlocking the SFP module latch - wire variety . . . . .	36
19.	Recommended bending and looping specifications for fibre-optic cables . . . . .	37
20.	LC-LC fibre-channel cable . . . . .	37
21.	Removing fibre-optic cable protective caps . . . . .	38
22.	Inserting an LC-LC fibre-channel cable into an SFP module . . . . .	39
23.	LC-LC fibre-channel cable lever and latches . . . . .	39
24.	Removing the LC-LC fibre-channel cable . . . . .	40
25.	Round-robin cabling to the EXP520 . . . . .	41
26.	Installing an SFP module and LC-LC cable in a supported DS5020 storage subsystem . . . . .	42
27.	Installing an SFP module and connecting an LC-LC cable to the EXP520 . . . . .	42
28.	Correct EXP520 redundant drive loop configuration . . . . .	44
29.	The power supply and fan unit LEDs . . . . .	52
30.	Front LEDs . . . . .	53
31.	Rear LEDs, controls, and connectors . . . . .	54
32.	Numeric display LEDs . . . . .	55
33.	Cabling the EXP520 to an existing and configured drive loop . . . . .	67
34.	Hot-swap E-DDM LEDs . . . . .	71
35.	E-DDM FRU handle . . . . .	72
36.	Replacing a power supply and fan unit . . . . .	82
37.	Removing and replacing an Environmental Service Module (ESM) . . . . .	84
38.	Replacing an SFP module . . . . .	86
39.	Front cage frame screw locations . . . . .	89
40.	Screws holding the top and bottom sides of the chassis to the cage frame . . . . .	90
41.	EXP520 storage expansion enclosure parts list . . . . .	101
42.	An IBM hologram label example . . . . .	103
43.	Front rack mounting template . . . . .	110
44.	Rear rack mounting template . . . . .	111
45.	Top View of non-IBM Rack Specifications Dimensions . . . . .	116
46.	Rack specifications dimensions, top front view . . . . .	117
47.	Rack specifications dimensions, bottom front view . . . . .	117





## Tables

1. Where to find DS4000 or DS5000 installation and configuration procedures . . . . .	xviii
2. Description of rear view of drive channel ports . . . . .	6
3. Description of power supply and fan unit components . . . . .	7
4. Software and firmware levels for the EXP520 . . . . .	9
5. EXP520 weights . . . . .	13
6. EXP520 component weights . . . . .	13
7. EXP520 shipping carton dimensions . . . . .	14
8. Temperature and humidity requirements for storage expansion enclosure when in storage or in transit . . . . .	14
9. Temperature and humidity requirements for storage expansion enclosure in a typical Information Technology (IT) or office environment . . . . .	15
10. Temperature and humidity requirements for storage expansion enclosure in a NEBS/ETSI compliant environment . . . . .	15
11. EXP520 altitude ranges . . . . .	15
12. EXP520 power and heat dissipation . . . . .	16
13. Random vibration power spectral density . . . . .	16
14. EXP520 sound levels . . . . .	16
15. EXP520 ac power requirements . . . . .	17
16. The power supply and fan unit LEDs . . . . .	52
17. Front LEDs and controls . . . . .	53
18. Rear LEDs, controls, and connectors . . . . .	54
19. Numeric display diagnostic codes . . . . .	56
20. Drive LED activity . . . . .	69
21. Symptom-to-FRU index . . . . .	94
22. Parts listing (EXP520 storage expansion enclosure) . . . . .	101
23. Storage subsystem and controller information record . . . . .	106
24. Sample information record . . . . .	107
25. Hard disk drive record . . . . .	108
26. IBM power cords . . . . .	121
27. DS Storage Manager Version 10 titles by user tasks . . . . .	125
28. DS5100 and DS5300 Storage Subsystem document titles by user tasks . . . . .	126
29. DS5020 Storage Subsystem document titles by user tasks . . . . .	126
30. DS4800 Storage Subsystem document titles by user tasks . . . . .	127
31. DS4700 Storage Subsystem document titles by user tasks . . . . .	128
32. DS4500 Storage Subsystem document titles by user tasks . . . . .	129
33. DS4400 Storage Subsystem document titles by user tasks . . . . .	130
34. DS4300 Storage Subsystem document titles by user tasks . . . . .	131
35. DS4200 Express Storage Subsystem document titles by user tasks . . . . .	132
36. DS4100 Storage Subsystem document titles by user tasks . . . . .	133
37. DS5000 Storage Expansion Enclosure document titles by user tasks . . . . .	134
38. DS5000 Storage Expansion Enclosure document titles by user tasks . . . . .	134
39. DS5000 and DS5000–related document titles by user tasks . . . . .	136
40. DS4000 Storage Manager alternate keyboard operations . . . . .	137
41. Limits for particulates and gases . . . . .	142



---

# Safety

The caution and danger statements that this document contains can be referenced in the multilingual *IBM® Safety Information* document that is provided with your IBM System Storage® EXP520 storage expansion enclosure. Each caution and danger statement is numbered for easy reference to the corresponding statements in the translated document.

- **Danger:** These statements indicate situations that can be potentially lethal or extremely hazardous to you. A danger statement is placed just before the description of a potentially lethal or extremely hazardous procedure, step, or situation.
- **Caution:** These statements indicate situations that can be potentially hazardous to you. A caution statement is placed just before the description of a potentially hazardous procedure step or situation.
- **Attention:** These notices indicate possible damage to programs, devices, or data. An attention notice is placed just before the instruction or situation in which damage could occur.

Before installing this product, read the following danger and caution notices.

## Statement 1:



## DANGER

Electrical current from power, telephone, and communication cables is hazardous.

To avoid a shock hazard:

- Do not connect or disconnect any cables or perform installation, maintenance, or reconfiguration of this product during an electrical storm.
- Connect all power cords to a properly wired and grounded electrical outlet.
- Connect to properly wired outlets any equipment that will be attached to this product.
- When possible, use one hand only to connect or disconnect signal cables.
- Never turn on any equipment when there is evidence of fire, water, or structural damage.
- Disconnect the attached power cords, telecommunications systems, networks, and modems before you open the device covers, unless instructed otherwise in the installation and configuration procedures.
- Connect and disconnect cables as described in the following table when installing, moving, or opening covers on this product or attached devices.

To Connect:	To Disconnect:
<ol style="list-style-type: none"><li>1. Turn everything OFF.</li><li>2. First, attach all cables to devices.</li><li>3. Attach signal cables to connectors.</li><li>4. Attach power cords to outlet.</li><li>5. Turn device ON.</li></ol>	<ol style="list-style-type: none"><li>1. Turn everything OFF.</li><li>2. First, remove power cords from outlet.</li><li>3. Remove signal cables from connectors.</li><li>4. Remove all cables from devices.</li></ol>

### Statement 2:



### CAUTION:

When replacing the lithium battery, use only an equivalent type battery recommended by the manufacturer. If your system has a module containing a lithium battery, replace it only with the same module type made by the same manufacturer. The battery contains lithium and can explode if not properly used, handled, or disposed of.

Do not:

- Throw or immerse into water
- Heat to more than 100° C (212° F)
- Repair or disassemble

Dispose of the battery as required by local ordinances or regulations.

### Statement 3:



**CAUTION:**

When laser products (such as CD-ROMs, DVD drives, fibre optic devices, or transmitters) are installed, note the following:

- Do not remove the covers. Removing the covers of the laser product could result in exposure to hazardous laser radiation. There are no serviceable parts inside the device.
- Use of controls or adjustments or performance of procedures other than those specified herein might result in hazardous radiation exposure.



**DANGER**

Some laser products contain an embedded Class 3A or Class 3B laser diode. Note the following.

Laser radiation when open. Do not stare into the beam, do not view directly with optical instruments, and avoid direct exposure to the beam.

**Class 1 Laser statement**

Class 1 Laser Product  
Laser Klasse 1  
Laser Klass 1  
Luokan 1 Laserlaite  
Appareil À Laser de Calsse 1

IEC 825-11993 CENELEC EN 60 825

**Statement 4:**



≥ 18 kg (39.7 lb)	≥ 32 kg (70.5 lb)	≥ 55 kg (121.2 lb)

**CAUTION:**

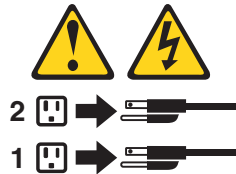
Use safe practices when lifting.

**Statement 5:**



**CAUTION:**

The power control button on the device and the power switch on the power supply do not turn off the electrical current supplied to the device. The device also might have more than one power cord. To remove all electrical current from the device, ensure that all power cords are disconnected from the power source.



**Statement 8:**



**CAUTION:**

Never remove the cover on a power supply or any part that has the following label attached.



Hazardous voltage, current, and energy levels are present inside any component that has this label attached. There are no serviceable parts inside these components. If you suspect a problem with one of these parts, contact a service technician.

**Statement 29:**



**CAUTION:**

This equipment is designed to permit the connection of the earthed conductor of the dc supply circuit to the earthing conductor at the equipment.

This equipment is designed to permit the connection of the earthed conductor of the dc supply circuit to the earthing conductor at the equipment. If this connection is made, all of the following conditions must be met:

- This equipment shall be connected directly to the dc supply system earthing electrode conductor or to a bonding jumper from an earthing terminal bar or bus to which the dc supply system earthing electrode conductor is connected.
- This equipment shall be located in the same immediate area (such as, adjacent cabinets) as any other equipment that has a connection between the earthed conductor of the same dc supply circuit and the earthing conductor, and also the point of earthing of the dc system. The dc system shall not be earthed elsewhere.
- The dc supply source shall be located within the same premises as this equipment.
- Switching or disconnecting devices shall not be in the earthed circuit conductor between the dc source and the point of connection of the earthing electrode conductor.

**Statement 30:**



**CAUTION:**

To reduce the risk of electric shock or energy hazards:

- This equipment must be installed by trained service personnel in a restricted-access location, as defined by the NEC and IEC 60950-1, First Edition, The Standard for Safety of Information Technology Equipment.
- Connect the equipment to a reliably grounded safety extra low voltage (SELV) source. An SELV source is a secondary circuit that is designed so that normal and single fault conditions do not cause the voltages to exceed a safe level (60 V direct current).
- The branch circuit overcurrent protection must be rated 20 A.
- Use 12 American Wire Gauge (AWG) or 2.5 mm<sup>2</sup> copper conductor only, not exceeding 4.5 meters in length.
- Incorporate a readily available approved and rated disconnect device in the field wiring.



**CAUTION:**

This unit has more than one power source. To remove all power from the unit, all dc MAINS must be disconnected.



**Cable Warning:**

**WARNING:** Handling the cord on this product or cords associated with accessories sold with this product, will expose you to lead, a chemical known to the State of California to cause cancer, and birth defects or other reproductive harm. **Wash hands after handling.**



---

## About this document

This document provides instructions for installing and customizing the configuration of your IBM® System Storage EXP520 storage expansion enclosure. It also provides maintenance procedures and troubleshooting information.

---

## Who should read this document

This document is intended for system operators and service technicians who have extensive knowledge of fibre channel and network technology.

---

## How this document is organized

Chapter 1, “Introduction,” on page 1 describes the IBM System Storage EXP520 storage expansion enclosure. This chapter includes an inventory checklist and an overview of the storage expansion enclosure features, operating specifications, and components.

Chapter 2, “Installing the EXP520,” on page 21 contains information on how to install the EXP520.

Chapter 3, “Cabling the EXP520,” on page 31 contains information on how to cable the EXP520.

Chapter 4, “Operating the EXP520,” on page 45 contains information on how to power on and off the storage expansion enclosure, recover from an overheated power supply and fan unit, troubleshoot the storage expansion enclosure, and interpret LEDs.

Chapter 5, “Installing and replacing components,” on page 65 contains step-by-step instructions about how to install or remove field replaceable units (FRUs), such as hard disk drives, power supply and fan units, filter and filter retainer, environmental services modules (ESMs), midplane, and SFP modules.

Chapter 6, “Hardware maintenance,” on page 93 describes problems and symptoms that are specific to your storage expansion enclosure. It also provides a parts list for the EXP520.

Appendix A, “Records,” on page 105 provides a table that you can use to record and update important information about your EXP520, including serial number and device records. Whenever you add options to your EXP520, be sure to update the information in this table.

Appendix B, “Rack mounting template,” on page 109 provides the rack mounting templates for installation of the EXP520. If you want to tear out the templates from the document for use during installation, use these copies of the templates.

Appendix C, “Specifications for non-IBM rack installation,” on page 113 provides safety requirements and rack specifications for installing DS5000 storage subsystems and DS5000 storage expansion enclosures into non-IBM racks.

Appendix D, “Power cords,” on page 121 lists power cord information for the EXP520.

Appendix E, “Additional System Storage DS documentation,” on page 125 lists additional DS5000 documents.

Appendix F, “Accessibility,” on page 137 details accessibility information.

---

## DS4000 and DS5000 Storage Subsystem installation tasks - General overview

Table 1 provides a sequential list of many installation and configuration tasks that are common to most DS4000 and DS5000 configurations. When you install and configure your DS4000 or DS5000 storage subsystem, refer to this table to find the documentation that explains how to complete each task.

**See also:** The DS4000 or DS5000 Quick Start Guides for your storage subsystem configuration provides an excellent overview of the installation process.

*Table 1. Where to find DS4000 or DS5000 installation and configuration procedures*

	Installation task	Where to find information or procedures
1	Plan the installation	<ul style="list-style-type: none"> <li>• <i>IBM System Storage DS Storage Manager Version 10 Installation and Host Support Guide</i></li> <li>• <i>IBM System Storage DS3000, DS4000, and DS5000 Command Line Interface and Script Commands Programming Guide</i></li> <li>• <i>IBM System Storage Quick Start Guide</i> for the following storage subsystems:               <ul style="list-style-type: none"> <li>– DS5100/DS5300</li> <li>– DS5020</li> <li>– DS4800</li> <li>– DS4200/DS4700</li> </ul> </li> <li>• <i>IBM System Storage DSxxxx Installation, User's, and Maintenance Guide</i> for the following storage subsystems:               <ul style="list-style-type: none"> <li>– DS5100/DS5300</li> <li>– DS5020</li> <li>– DS4800</li> <li>– DS4700</li> <li>– DS4500</li> <li>– DS4400</li> <li>– DS4300</li> <li>– DS4200</li> <li>– DS4100</li> </ul> </li> </ul>

Table 1. Where to find DS4000 or DS5000 installation and configuration procedures (continued)

	Installation task	Where to find information or procedures
2	Mount the DS4000 or DS5000 storage subsystem in the rack	<ul style="list-style-type: none"> <li>• <i>IBM System Storage Quick Start Guide</i> for the following storage subsystems: <ul style="list-style-type: none"> <li>– DS5100/DS5300</li> <li>– DS5020</li> <li>– DS4800</li> <li>– DS4200/DS4700</li> </ul> </li> <li>• <i>IBM System Storage DSxxxx Installation, User's, and Maintenance Guide</i> for the following storage subsystems: <ul style="list-style-type: none"> <li>– DS5100/DS5300</li> <li>– DS5020</li> <li>– DS4800</li> <li>– DS4700</li> <li>– DS4200</li> <li>– DS4100</li> </ul> </li> <li>• <i>DS4400 and DS4500 Rack Mounting Instructions</i></li> <li>• <i>DS4300 Rack Mounting Instructions</i></li> </ul>
3	Mount the DS4000 or DS5000 EXP storage expansion unit in the rack	<ul style="list-style-type: none"> <li>• <i>IBM System Storage Quick Start Guide</i> for the following storage subsystems: <ul style="list-style-type: none"> <li>– DS5100/DS5300</li> <li>– DS5020</li> <li>– DS4800</li> <li>– DS4200/DS4700</li> </ul> </li> <li>• <i>IBM System Storage EXPxxx Installation, User's, and Maintenance Guide</i> for the following storage expansion enclosures: <ul style="list-style-type: none"> <li>– EXP520</li> <li>– EXP810</li> <li>– EXP700/EXP710</li> <li>– EXP500</li> <li>– EXP420</li> <li>– EXP100</li> </ul> </li> </ul>

Table 1. Where to find DS4000 or DS5000 installation and configuration procedures (continued)

	Installation task	Where to find information or procedures
4	Route the storage expansion enclosure Fibre Channel cables	<ul style="list-style-type: none"> <li>• <i>IBM System Storage Quick Start Guide</i> for the following storage subsystems: <ul style="list-style-type: none"> <li>– DS5100/DS5300</li> <li>– DS5020</li> <li>– DS4800</li> <li>– DS4200/DS4700</li> </ul> </li> <li>• <i>IBM System Storage EXPxxx Installation, User's, and Maintenance Guide</i> for the following storage expansion enclosures: <ul style="list-style-type: none"> <li>– EXP520</li> <li>– EXP810</li> <li>– EXP700/EXP710</li> <li>– EXP500</li> <li>– EXP420</li> <li>– EXP100</li> </ul> </li> </ul>
5	Route the host server Fibre Channel cables	<ul style="list-style-type: none"> <li>• <i>IBM System Storage Quick Start Guide</i> for the following storage subsystems: <ul style="list-style-type: none"> <li>– DS5100/DS5300</li> <li>– DS5020</li> <li>– DS4800</li> <li>– DS4200/DS4700</li> </ul> </li> <li>• <i>IBM System Storage DSxxxx Installation, User's, and Maintenance Guide</i> for the following storage subsystems: <ul style="list-style-type: none"> <li>– DS5100/DS5300</li> <li>– DS5020</li> <li>– DS4800</li> <li>– DS4700</li> <li>– DS4500</li> <li>– DS4300</li> <li>– DS4200</li> <li>– DS4100</li> </ul> </li> <li>• <i>IBM TotalStorage DS4400 Fibre Channel Cabling Instructions</i></li> </ul>

Table 1. Where to find DS4000 or DS5000 installation and configuration procedures (continued)

	Installation task	Where to find information or procedures
6	Power on the subsystem	<ul style="list-style-type: none"> <li>• <i>IBM System Storage Quick Start Guide</i> for the following storage subsystems: <ul style="list-style-type: none"> <li>– DS5100/DS5300</li> <li>– DS5020</li> <li>– DS4800</li> <li>– DS4200/DS4700</li> </ul> </li> <li>• <i>IBM System Storage DSxxxx Installation, User's, and Maintenance Guide</i> for the following storage subsystems: <ul style="list-style-type: none"> <li>– DS5100/DS5300</li> <li>– DS5020</li> <li>– DS4800</li> <li>– DS4700</li> <li>– DS4500</li> <li>– DS4400</li> <li>– DS4300</li> <li>– DS4200</li> <li>– DS4100</li> </ul> </li> </ul>
7	Configure DS4000/DS5000 network settings	<ul style="list-style-type: none"> <li>• <i>IBM System Storage DSxxxx Installation, User's, and Maintenance Guide</i> for the following storage subsystems: <ul style="list-style-type: none"> <li>– DS5100/DS5300</li> <li>– DS5020</li> <li>– DS4800</li> <li>– DS4700</li> <li>– DS4500</li> <li>– DS4400</li> <li>– DS4300</li> <li>– DS4200</li> <li>– DS4100</li> </ul> </li> </ul>
8	Zone the fabric switch (SAN-attached only)	<ul style="list-style-type: none"> <li>• <i>IBM System Storage DS Storage Manager Version 10 Installation and Host Support Guide</i></li> <li>• <i>IBM System Storage DS Storage Manager Version 10 Copy Services Guide</i> (describes switch zoning for the Remote Mirror Option)</li> <li>• See also the documentation provided by the switch manufacturer</li> </ul>

Table 1. Where to find DS4000 or DS5000 installation and configuration procedures (continued)

	Installation task	Where to find information or procedures
9	Install DS Storage Manager software on the management station	<ul style="list-style-type: none"> <li>• <i>IBM System Storage DS Storage Manager Version 10 Installation and Host Support Guide</i></li> <li>• DS Storage Manager online help (for post-installation tasks)</li> </ul>
10	Install host software (failover drivers) on host server	
11	Start DS Storage Manager	
12	Set the DS Storage Manager clock	
13	Set the DS Storage Manager host default type	
14	Verify DS4000/DS5000 subsystem health	<ul style="list-style-type: none"> <li>• <i>IBM System Storage DSxxxx Installation, User's, and Maintenance Guide</i> for the following storage subsystems: <ul style="list-style-type: none"> <li>– DS5100/DS5300</li> <li>– DS5020</li> <li>– DS4800</li> <li>– DS4700</li> <li>– DS4500</li> <li>– DS4400</li> <li>– DS4300</li> <li>– DS4200</li> <li>– DS4100</li> </ul> </li> </ul>
15	Enable DS Storage Manager premium feature keys	<p><b>Copy Services premium features</b> <i>IBM System Storage DS Storage Manager Copy Services Guide</i></p> <p><b>FC/SATA Intermix premium feature</b> <i>IBM System Storage DS4000/DS5000 Fibre Channel and Serial ATA Intermix Premium Feature Installation Overview</i></p> <p><b>Storage Partitioning (and general premium features information)</b> <i>IBM System Storage DS Storage Manager Version 10 Installation and Host Support Guide</i></p>
16	Configure arrays and logical drives	<ul style="list-style-type: none"> <li>• <i>IBM System Storage DS Storage Manager Version 10 Installation and Host Support Guide</i></li> <li>• DS4000 or DS5000 Storage Manager online help</li> </ul>
17	Configure host partitions	
18	Verify host access to DS4000/DS5000 storage	

---

## Getting information, help, and service

If you need help, service, or technical assistance or just want more information about IBM products, you will find a wide variety of sources available from IBM to assist you. This section contains information about where to go for additional information about IBM and IBM products, what to do if you experience a problem with your system, and whom to call for service, if it is necessary.

### Before you call

Before you call, take these steps to try to solve the problem yourself:

- Check all cables to make sure that they are connected.
- Check the power switches to make sure that the system is turned on.
- Use the troubleshooting information in your system documentation, and use the diagnostic tools that come with your system.
- Check for technical information, hints, tips, and new device drivers at the IBM System Storage Disk Support Web site pages that are listed in this section.
- Use an IBM discussion forum on the IBM Web site to ask questions.

You can solve many problems without outside assistance by following the troubleshooting procedures that IBM provides in the DS Storage Manager online help or in the documents that are provided with your system and software. The information that comes with your system also describes the diagnostic tests that you can perform. Most subsystems, operating systems, and programs come with information that contains troubleshooting procedures and explanations of error messages and error codes. If you suspect a software problem, see the information for the operating system or program.

### Using the documentation

Information about your IBM system and preinstalled software, if any, is available in the documents that come with your system; this includes printed books, online documents, README files, and help files. See the troubleshooting information in your system documentation for instructions for using the diagnostic programs. The troubleshooting information or the diagnostic programs might tell you that you need additional or updated device drivers or other software.

## Finding Storage Manager software, controller firmware, and README files

DS Storage Manager software and controller firmware versions are available on the product CD and can also be downloaded from the Web.

**Important:** Before you install DS Storage Manager software, consult the README. Updated README files contain the latest device driver versions, firmware levels, limitations, and other information not found in this document.

Storage Manager README files are found on the Web, at the following address:

[www.ibm.com/servers/storage/support/disk/](http://www.ibm.com/servers/storage/support/disk/)

1. On the **Support for IBM System Storage and TotalStorage products** page, from the **Product family** drop-down menu, select **Disk systems**. From the **Product** drop-down menu, select your product (for example, **DS5100 Midrange Disk System**). Click **Go**.

2. In the **Support & downloads** box, again click **Download**. The **Software and device drivers** page opens.
3. In the **Storage Manager** section of the table, locate your operating system and version level (for example, **IBM DS5000 Storage Manager v10.xx.xx.xx for AIX - IBM System Storage**), and click on the version link in the right-hand column. The DS5000 Storage Manager download page opens.
4. On the download page, in the table under **File details**, click on the \*.txt file link, and the README will open in your Web browser.

## IBM System Storage Productivity Center

The IBM System Storage Productivity Center (SSPC) is an integrated hardware and software solution that provides a single point of entry for managing IBM System Storage DS4000 systems, DS5000 systems, DS8000 systems, IBM System Storage SAN Volume Controller clusters, and other components of your data storage infrastructure. Therefore, you can use the IBM System Storage Productivity Center to manage multiple IBM System Storage product configurations from a single management interface.

To learn how to incorporate the DS Storage Manager with the IBM System Storage Productivity Center, see the IBM System Storage Productivity Center Information Center at the following Web site:

[publib.boulder.ibm.com/infocenter/tivihelp/v4r1/index.jsp](http://publib.boulder.ibm.com/infocenter/tivihelp/v4r1/index.jsp)

## Essential Web sites for DS4000/DS5000 support information

The most up-to-date information about DS4000/DS5000 storage subsystems and DS Storage Manager, including documentation and the most recent software, firmware, and NVSRAM downloads, can be found at the following Web sites:

### IBM System Storage Disk Storage Systems

Find links to software and firmware downloads, READMEs, and support pages for all IBM System Storage disk storage systems, including DS5000:

[www.ibm.com/systems/support/storage/disk](http://www.ibm.com/systems/support/storage/disk)

### IBM System Storage Interoperation Center (SSIC)

Find technical support information for your specific DS4000/DS5000 storage subsystem/host configuration, including the latest recommended firmware versions for your system, by using this interactive Web-based utility:

[www.ibm.com/systems/support/storage/config/ssic/index.jsp](http://www.ibm.com/systems/support/storage/config/ssic/index.jsp)

### IBM DS3000, DS4000, DS5000, and BladeCenter Premium Feature Activation

Activate a DS5000 premium feature by using this Web-based utility:

[www-912.ibm.com/PremiumFeatures](http://www-912.ibm.com/PremiumFeatures)

### IBM System Storage Productivity Center

Find the latest documentation supporting the IBM System Storage Productivity Center, a new system that is designed to provide a central management console for IBM System Storage DS4000, DS5000, DS8000, and SAN Volume Controller:

[publib.boulder.ibm.com/infocenter/tivihelp/v4r1/index.jsp](http://publib.boulder.ibm.com/infocenter/tivihelp/v4r1/index.jsp)

### IBM System Storage Support

Find the latest support information for host operating systems, HBAs, clustering, storage area networks (SANs), DS Storage Manager software and controller firmware:



[www.ibm.com/systems/support/storage](http://www.ibm.com/systems/support/storage)

### **Storage Area Network (SAN) Support**

Find information about using SAN switches, including links to SAN user guides and other documents:

[www.ibm.com/systems/support/storage/san](http://www.ibm.com/systems/support/storage/san)

### **Support for IBM System p AIX 5L and Linux servers**

Find the latest support information for System p<sup>®</sup> AIX<sup>®</sup>, Linux, BladeCenter, and i5/OS servers:

[www.ibm.com/systems/support/supportsite.wss/brandmain?brandind=5000025](http://www.ibm.com/systems/support/supportsite.wss/brandmain?brandind=5000025)

### **Support for IBM System x<sup>®</sup> servers**

Find the latest support information for System x Intel- and AMD-based servers:

[www.ibm.com/systems/support/supportsite.wss/brandmain?brandind=5000008](http://www.ibm.com/systems/support/supportsite.wss/brandmain?brandind=5000008)

### **@server System p and AIX Information Center**

Find everything you need to know about using AIX with System p and POWER<sup>®</sup> servers:

[publib.boulder.ibm.com/infocenter/pseries/index.jsp?](http://publib.boulder.ibm.com/infocenter/pseries/index.jsp?)

### **Fix Central**

Find fixes and updates for your system's software, hardware, and host operating system:

[www.ibm.com/eserver/support/fixes](http://www.ibm.com/eserver/support/fixes)

### **IBM System Storage products**

Find information about all IBM System Storage products:

[www.ibm.com/systems/storage](http://www.ibm.com/systems/storage)

### **IBM Publications Center**

Find IBM publications:

[www.ibm.com/shop/publications/order/](http://www.ibm.com/shop/publications/order/)

## **Software service and support**

Through IBM Support Line, for a fee you can get telephone assistance with usage, configuration, and software problems. For information about which products are supported by Support Line in your country or region, go to the following Web site:

[www.ibm.com/services/sl/products](http://www.ibm.com/services/sl/products)

For more information about the IBM Support Line and other IBM services, go to the following Web sites:

- [www.ibm.com/services](http://www.ibm.com/services)
- [www.ibm.com/planetwide](http://www.ibm.com/planetwide)

## **Hardware service and support**

You can receive hardware service through IBM Integrated Technology Services or through your IBM reseller, if your reseller is authorized by IBM to provide warranty service. Go to the following Web site for support telephone numbers:

[www.ibm.com/planetwide](http://www.ibm.com/planetwide)

In the U.S. and Canada, hardware service and support is available 24 hours a day, 7 days a week. In the U.K., these services are available Monday through Friday, from 9 a.m. to 6 p.m.

## **Fire suppression systems**

A fire suppression system is the responsibility of the customer. The customer's own insurance underwriter, local fire marshal, or a local building inspector, or both, should be consulted in selecting a fire suppression system that provides the correct level of coverage and protection. IBM designs and manufactures equipment to internal and external standards that require certain environments for reliable operation. Because IBM does not test any equipment for compatibility with fire suppression systems, IBM does not make compatibility claims of any kind nor does IBM provide recommendations on fire suppression systems.

---

## Chapter 1. Introduction

This chapter describes the operating specifications, features, and components for the IBM System Storage EXP520 storage expansion enclosure (hereafter referred to as the *EXP520* or *storage expansion enclosure*). This chapter also includes a list of hardware that comes with the storage expansion enclosure.

---

### Overview

The IBM System Storage EXP520 storage expansion enclosure (Machine Type 1814, Model 52A) provides additional high-capacity, fibre channel, SAS, and SATA disk storage for the DS5020 storage subsystem. The storage expansion enclosure provides continuous, reliable service, using hot-swap technology for easy replacement without shutting down the system and support redundant, dual-loop configurations. External FC cables and Small Form-Factor Pluggable (SFP) modules connect the DS5020 storage subsystem to the EXP520 storage expansion enclosure.

**Note:** The EXP520 storage expansion enclosure can be attached only to the DS5020 storage subsystem.

The EXP520 is a rack-mountable enclosure that supports up to 16 4 Gbps 600 GB fibre-channel or FC-SAS Enhanced Disk Drive Modules (E-DDMs) or 2TB SATA E-DDMs, offering up to 9.6 terabytes (TB) of fibre-channel disk space or 32 TB of SATA disk space per enclosure. Coupled with a DS5020 storage subsystem, you can configure RAID-protected storage solutions of up to 224 TB when using 2 TB SATA E-DDMs, providing economical and scalable storage for your rapidly growing application needs for limited access, data reference storage capacity. The EXP520 also supports Solid State Disks (SSDs) if the DS5020 storage subsystem has controller firmware 7.70.xx.xx. or higher installed and FC-SAS disks if the DS5020 storage subsystem has controller firmware 7.77.xx.xx or higher installed.

Please refer to the DS5020 RFAs for the latest information in drive capacities and drive types that are supported in the DS5020 configurations with EXP520s.

The EXP520 uses the latest fibre channel, SAS, and SATA technology and is designed with redundant 4 Gbps fibre channel connections to the DS5020 storage subsystem offering reliability and performance.

**Notes:**

1. Combining EXP810 and EXP520 storage expansion enclosures with the DS5020 storage subsystem requires a purchase option. Contact your IBM marketing representative for more information.
2. In this document, the term *FC-SAS* refers to a SAS drive with a FC-SAS interposer.

The EXP520 supports redundant, dual drive channel/loop configurations with DS5020 storage subsystems and other EXP520 enclosures. External cables and small form-factor pluggable (SFP) modules connect the controller to the storage expansion enclosure. EXP520s attached to supported DS5020 storage subsystems can be used with storage area networks to satisfy the needs of various fixed content, data reference applications that require large amounts of storage capacity but do not have the high utilization and access characteristics satisfied by fibre channel disk drive storage. The storage expansion enclosure provides continuous, reliable service and uses hot-swap technology for easy replacement without the

need to shut down the system. Up to six EXP520 units can be connected together with the DS5020 storage subsystem in a redundant fibre-channel drive channel/loop pair, providing connections to a maximum of 112 hard drives.

EXP520 storage expansion enclosures are equipped with ac power supply and fan units that support both NEBS/ETSI operating environments and standard IT and office environments.

## Operating system support

For supported operating systems, see the latest DS Storage Manager host software README file and the IBM DS5020 series products at the following Web site for additional host operating system support:

[www.ibm.com/systems/support/storage/config/ssic/index.jsp](http://www.ibm.com/systems/support/storage/config/ssic/index.jsp)

See “Finding Storage Manager software, controller firmware, and README files” on page xxiii to learn how to access the DS5020 README files on the Web.

## FC-SAS defined

In this document, the term *FC-SAS* refers to a SAS drive with a FC-SAS interposer that translates the SAS drive interface to a FC protocol interface. *Contrast with* “SAS defined”.

## Fibre channel defined

Fibre channel technology is outlined in the *SCSI-3 Fibre Channel Protocol* (SCSI-FCP) standard. Fibre channel is a high-speed data transport technology that is used for mass storage and networking.

Using a fibre-channel arbitrated loop (FC-AL), more than 100 fibre-channel devices can be supported, compared to 15 small computer system interface (SCSI) devices. The connection from the DS5020 storage subsystem to the EXP520 is a 4 Gbps fibre-channel device that supports data transfer rates up to 400 MBps half-duplex and 800 MBps full-duplex on optical interfaces.

## SAS defined

The Serial-attached SCSI (SAS) is a data-transfer technology that moves data to and from computer storage devices such as hard drives and tape drives. SAS uses a point-to-point serial protocol instead of the traditional parallel SCSI bus technology. In this document, the term *FC-SAS* refers to a SAS drive with a FC-SAS interposer that translates the SAS drive interface to a FC protocol interface. See “FC-SAS defined”.

## SATA defined

The Serial Advanced Technology Attachment (SATA) interface offers increased data rate performance over Parallel Advanced Technology Attachment (ATA), while maintaining the benefits of ATA. SATA is designed to overcome the performance barriers that have been forecasted for current parallel technologies while maintaining the cost-efficiency of Parallel ATA. SATA specifications allow for thinner, more flexible cables, and lower pin counts. It also enables easier, more flexible cable routing management and the use of smaller connectors than is possible with the existing Parallel ATA technology.

The Serial ATA Working Group introduced the first SATA specification, Serial ATA 1.0, in 2001. See the following Web site:

[www.serialata.org](http://www.serialata.org)

## T10 PI defined

The T10 Protection Information (T10 PI) is an extension of the SCSI protocol that protects user data during transfer between a sender and a receiver. Hard disk drives with T10 PI support are formatted with 520-byte sectors instead of the typical 512-byte sectors. The extra 8 bytes are used to store data integrity information. The T10 PI model is an industry standard, and is defined by the T10 Committee. For more details about T10 PI and SCSI, including technical specifications, see the T10 Committee website (<http://www.t10.org>).

---

## Inventory checklist

The EXP520 ships with the following items:

- Power cables (2 rack jumper line cords) that have an IEC C13 plug on one end and an IEC C14 plug on the other end
- Rack-mounting hardware kit (1), including:
  - Rails (2) (right and left assembly)
  - M5 black hex-head slotted screws (12)
  - Washers (8)
- Blank trays (16) (Your storage expansion enclosure might come with up to 16 SATA or Fibre channel E-DMMs.)
- 4 Gbps SFPs (2) (already installed in the EXP520 ESM ports)
- Box ID labels (used to label the enclosure IDs on the front of the EXP520)

A rack mounting template and instructions for installing the support rails and the storage expansion enclosure are provided in “Installing the support rails” on page 24.

To connect your EXP520 to other devices, use the following options:

- IBM SFP module
- IBM LC-LC fibre-channel cable

**Note:** You must order these options separately.

---

## EXP520 components

The EXP520 has the following removable components. These components, called field replaceable units (FRUs), are accessible from the front or back of the EXP520.

- Up to 16 4 Gbps fibre channel or SATA Enhanced Disk Drive Modules (E-DDMs)
- Two environmental services modules (ESMs)
- Two power supply and fan units

The hot-swap features of the EXP520 enable you to remove and replace 4 Gbps fibre-channel or SATA E-DDMs, power supply and fan units, and ESMs, without turning off the storage expansion enclosure. You can maintain the availability of your system while a hot-swap device is removed, installed, or replaced.

## Enhanced Disk Drive Modules (E-DDMs)

The hot-swap drive bays that are accessible from the front of your storage expansion enclosure are shown in Figure 1.

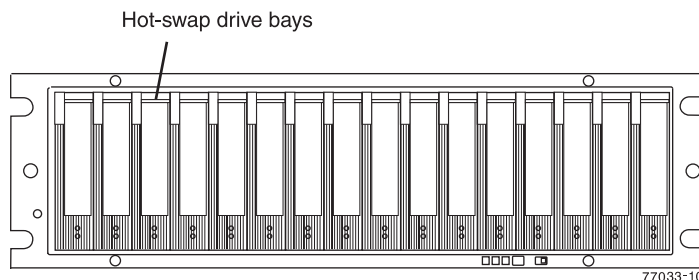


Figure 1. EXP520 hot-swap drive bays

The EXP520 supports up to 16 4 Gbps fibre channel (FC), FC-SAS, Solid State Disks (SSDs), or SATA E-DDMs. The SATA E-DDMs have an ATA translator card that converts the fibre channel protocol interface of the EXP520 drive channel/loop into the hard drive SATA protocol interface. It also provides dual paths to the SATA drive for E-DDM FRU path redundancy. Each SATA hard drive, ATA translator card (also referred to as a interposer card), and carrier assembly (drive tray) are called SATA E-DDM FRUs. The fibre channel E-DDMs consisted of the fibre channel and the carrier assembly (drive tray). The FC-SAS E-DDMs have a FC-SAS interposer card that translates the SAS drive interface to a 4 Gbps FC protocol interface of the DS5020 drive channel. Each SAS drive, FC-SAS interposer card (with a 2.5" to 3.5" form factor conversion), and carrier assembly are called FC-SAS E-DDM CRUs. There are no serviceable parts in an E-DDM FRU. If it fails, it must be replaced in its entirety. When replacing an E-DDM FRU, be sure to order and install the correct E-DDM FRU.

Install E-DDM FRUs in the 16 drive bays on the front of the storage expansion enclosure from the leftmost (slot 1) to rightmost (slot 16).

The EXP520 storage expansion enclosure drive channel operates at 4 Gbps fibre channel interface speed. Ensure that the EXP520 enclosure speed switch is set correctly for the 4 Gbps fibre channel E-DDM FRUs. The EXP520 SATA E-DDM FRUs have an ATA translator card that converts E-DDM 3 Gbps SATA drive interface protocol to 4 Gbps fibre channel interface protocol. Similarly, the FC-SAS E-DDM FRUs have a FC-SAS interposer card that convert the 6 Gbps the SAS protocol to a 4 Gbps FC interface protocol.

**Important:** Do not change the speed of a drive loop while the storage subsystem is powered on. Such a speed change will cause unpredictable results. Also, the drive expansion enclosures must be power cycled for the new speed setting to be correctly recognized.

If you need to change the speed of a drive loop, complete the following steps:

1. Prepare applications for storage system shutdown.
2. Shut down the storage system.
3. Shut down the storage expansion enclosures.
4. Change the storage expansion enclosure speed settings.
5. Power on the storage expansion enclosures.
6. Power on the storage subsystem.
7. Restore storage subsystem host application operations.

There are no serviceable parts in an E-DDM FRU. If it fails, it must be replaced in its entirety. The EXP520 4 Gbps FC E-DDM option/FRU and 3 Gbps SATA E-DDM option/FRU are interchangeable with the drive tray of the DS4000 EXP810 storage expansion enclosure. However, they are not compatible with any other DS4000 storage expansion enclosures such as the EXP710 or EXP100. When replacing an E-DDM FRU, be sure to order and install the correct E-DDM FRU.

**Attention:**

1. After you remove a drive FRU, wait 70 seconds before replacing or reseating the drive FRU to allow the drive to properly spin down. Failure to do so may cause undesired events.
2. Never hot-swap a drive FRU when its associated green Activity LED is flashing. Hot-swap a drive FRU only when its associated amber Fault LED lights is not flashing or when the drive is inactive and its associated green Activity LED lights are not flashing.

**Note:** If the E-DDM you want to remove is not in a failed or bypass state, always use the DS Storage Manager client program either to place the E-DDM in a failed state or to place the array that is associated with the E-DDM (or E-DDMs) in an offline state before you remove it from the enclosure.

## Environmental Service Modules (ESMs)

The EXP520 has two hot-swappable and redundant ESM units. The ESMs are located at the back of the storage expansion enclosure. The left ESM is labeled ESM A, and the right ESM is labeled ESM B. One ESM will continue to operate if the other ESM fails.

The ESMs contain the storage expansion enclosure control logic, interface ports, and LEDs. Each ESM has four SFP module ports that you could use to connect the storage expansion enclosure to the controller. However, only the two ESM SFP ports (labeled 1A and 1B) near the center of the storage expansion enclosure are used. The SFP ports labeled 2A and 2B are reserved for future use.

The EXP520 ESMs support automatic ESM firmware synchronization. This function allows a new ESM with a different level of ESM firmware to be automatically synchronized with the ESM firmware version in the existing ESM in the EXP520 chassis. To enable automatic ESM firmware synchronization:

1. Verify that the DS Storage Manager Event Monitor is installed and running.
2. Verify that the DS5000 storage subsystem that the EXP520 is attached to is defined in the Enterprise Management window of the DS Storage Manager client (SMclient).

Although both ESM units (A and B) are identical, they are seated in the EXP520 chassis in opposite orientations. If the ESM cannot fully be inserted in the ESM bay, flip it 180 degrees and reinsert it.

### Connectors, switch, and enclosure ID

The enclosure ID, comprised of a pair of seven-segment numbers, is located on the back of each ESM next to the ESM indicator lights. The two digits that comprise the enclosure ID are referred to as x10 and x1 digits. The enclosure ID provides a unique identifier for each enclosure in the storage subsystem. The storage management software automatically sets the enclosure ID number. You can only change the enclosure ID setting through the DS storage management software. There are no switches on the EXP520 chassis to manually set the enclosure ID.

Both ESM enclosure ID numbers will be identical under normal operating conditions. For more information regarding the enclosure ID, see “Enclosure ID settings ” on page 31.

### Rear drive channel ports

Figure 2 shows the drive channel ports on the storage expansion enclosure.

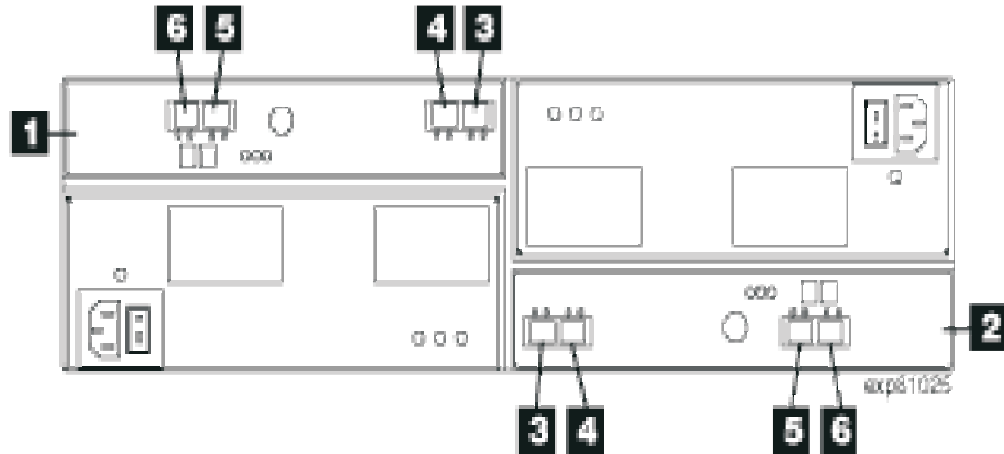


Figure 2. Rear view of drive channel ports

Table 2 describes the rear view of drive channel ports shown in Figure 2.

Table 2. Description of rear view of drive channel ports

Number	Description
1	ESM A
2	ESM B
3	Port 1A
4	Port 1B
5	Port 2A (Reserved for future use)
6	Port 2B (Reserved for future use)

## Power supply and fan units

The storage expansion enclosure has two removable power supply and fan units. Each power supply and fan unit contains one power supply and two fans. The four fans pull air through the drive from front to back across the drives.

The fans provide redundant cooling, which means that if one of the fans in either fan housing fails, the remaining fans continue to provide sufficient cooling to operate the storage expansion enclosure. The power supplies provide power to the internal components. If one power supply is turned off or malfunctions, the other power supply maintains electrical power to the storage expansion enclosure. To preserve the optimal airflow, do not remove a failed power supply and fan unit FRU from the EXP520 chassis until you are ready to replace it with a new FRU.

Figure 3 on page 7 shows power supply and fan unit components.



**Note:** Although both power supply and fan units (left and right) are identical, they are seated in the EXP520 chassis in opposite orientations. If the power supply and fan unit cannot fully be inserted in the power supply and fan unit bay, flip it 180 degree and reinsert it.

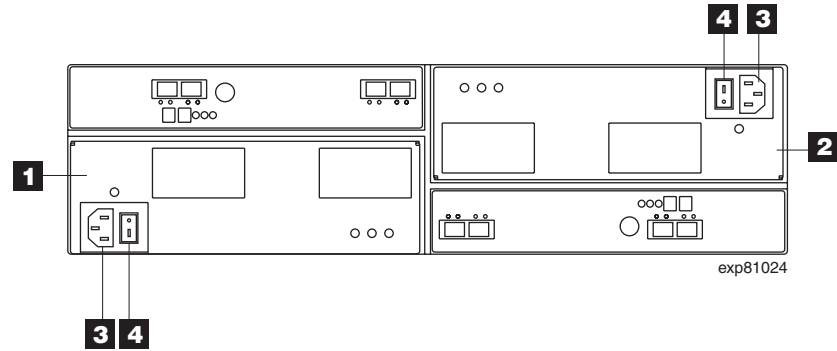


Figure 3. Power supply and fan unit components

Table 3 describes the power supply and fan unit components shown in Figure 3.

Table 3. Description of power supply and fan unit components

Number	Description
1	Power supply and fan unit A
2	Power supply and fan unit B
3	Power connector
4	Power switch

Figure 4 on page 8 shows a power supply and fan unit and the airflow through the storage expansion enclosure.

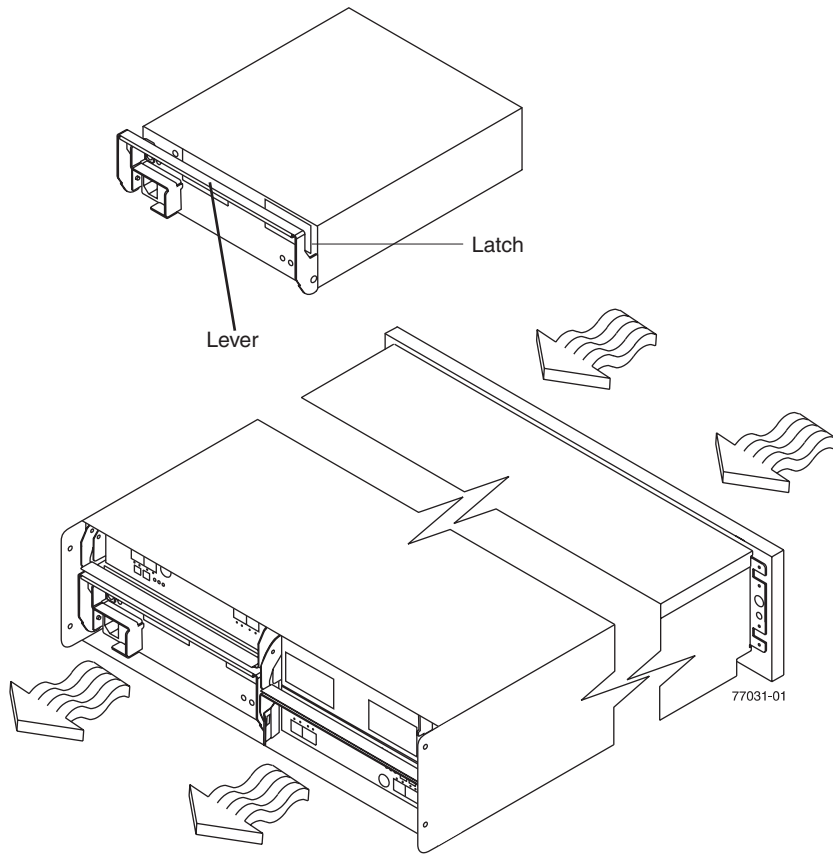


Figure 4. Power supply and fan unit and airflow

## Small Form-Factor Pluggable (SFP) modules

The storage expansion enclosure supports fibre optic host interface cables. You must install a Small Form-factor Pluggable (SFP) module in each interface connector on the controller where a fibre optic cable is to be installed.

Figure 5 on page 9 shows an SFP module with fibre optic cable.

**Note:** The SFP module shown might look different from those shipped with your storage expansion enclosure. The differences does not affect transceiver performance.

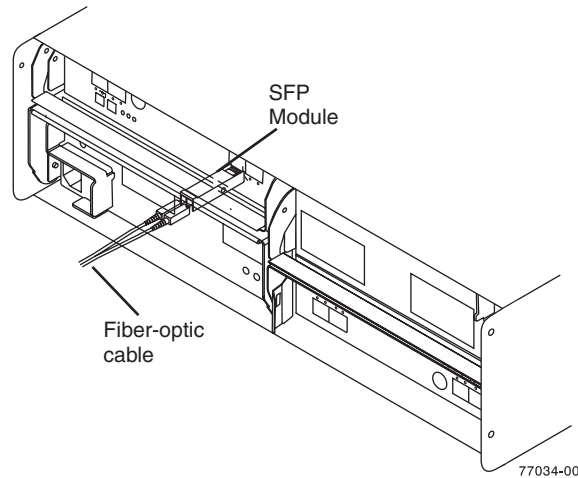


Figure 5. SFP module and fibre optic cable

## Software and hardware compatibility and upgrades

The latest DS5000 controller firmware and NVSRAM, drive enclosure ESM firmware, and the fibre channel and SATA drive FRUs firmware must be installed to ensure optimal functionality, manageability, and reliability.

Unless stated otherwise, you can find the latest DS5000 publications, firmware, and host software at the IBM DS5000 System Storage Support Web site:

[www.ibm.com/servers/storage/support/disk/](http://www.ibm.com/servers/storage/support/disk/)

## Software and firmware support code upgrades

To enable support for the EXP520, you *must* ensure that your system's software and firmware are at the levels shown in Table 4.

Table 4. Software and firmware levels for the EXP520

Software/firmware	Level
DS Storage Manager software	10.60 or higher
DS5020 controller firmware and NVSRAM	07.60.xx.xx or higher for support with the DS5020
	7.70.xx.xx and higher to support SSD E-DDMs
	7.77.xx.xx and higher to support FC-SAS E-DDMs
ESM firmware	98D0 or higher
	98E4 to support FC-SAS E-DDMs
Drive firmware	You can find the latest software and firmware at the IBM DS5000 System Storage Support Web site: <a href="http://www.ibm.com/servers/storage/support/disk/">www.ibm.com/servers/storage/support/disk/</a>

The required EXP520 ESM and DS5020 storage subsystem controller firmware versions and DS Storage Manager version software packages that are required to manage DS5000 storage subsystems with controller firmware 7.77.xx.xx or higher installed are available for download at the DS5000 System Storage Support Web site:

[www.ibm.com/servers/storage/support/disk/](http://www.ibm.com/servers/storage/support/disk/)

For instructions to install the DS Storage Manager host software, see the *IBM System Storage DS Storage Manager Version 10 Installation and Host Support Guide* for your operating system.

If you need further assistance, please contact your IBM reseller or IBM representative to find out which controller firmware to use for EXP520 attachment.

For more information about the EXP520 ESM replacement procedure and problem troubleshooting, please refer to “Replacing an Environmental Service Module (ESM)” on page 83 and “Solving problems” on page 93.

## EXP520 hardware and software compatibility

Currently, the only DS5000 storage subsystem that supports the EXP520 attachment is the DS5020. Please contact IBM resellers or representatives for other DS5000 storage subsystem support in the future.

**Note:** For the latest information about supported servers and operating systems for the DS5020 and the EXP520, refer to the System Storage Interoperation Center at this Web site:

[www.ibm.com/systems/support/storage/config/ssic/index.jsp](http://www.ibm.com/systems/support/storage/config/ssic/index.jsp)

## Determining firmware levels

There are two different methods to determine the DS5000 storage subsystem and the storage expansion enclosure firmware versions. Each method uses the DS Storage Manager client that manages the DS5000 storage subsystem with the attached storage expansion enclosure.

### Method One:

Go to the Subsystem Management window and select **View → Storage Subsystem Profile**. When the Storage Subsystem Profile window opens, select the **All** tab and scroll through Profile For Storage Subsystem to locate the following information.

**Note:** The Profile For Storage Subsystem windows contains all the profile information for the entire subsystem. Therefore, it may be necessary to scroll through a large amount of information to locate the firmware version numbers.

### DS5000 Storage Server

- NVSRAM version
- Firmware version

### Drives

- Drive Firmware version
- ATA translator card firmware version (SATA E-DDMs only)

**Note:** The ATA translator card firmware and drive firmware are typically packaged together as a single drive firmware upgrade file.

- FC to SAS interposer card firmware version (FC-SAS E-DDMs only).

**Note:** The FC to SAS interposer card firmware and drive firmware are typically packaged together as a single drive firmware upgrade file.

## ESM

- ESM card firmware version

### Method Two:

Complete the appropriate procedure to obtain the specified firmware version.

#### To obtain the controller firmware version:

Right-click the Controller icon in the Physical View pane of the Subsystem Management window and select **Properties**. The Controller Enclosure properties window opens and displays the properties for that controller.

You must perform this step for each individual controller.

#### To obtain the drive firmware (and ATA translator card or FC-SAS interposer firmware) version:

Right-click the Drive icon in the Physical View pane of the Subsystem Management window and select **Properties**. The Drive Properties window opens and displays the properties for that drive.

You must perform this step for each individual drive.

#### To obtain the ESM and drive enclosure component firmware versions:

1. In the Physical View pane of the Subsystem Management window, click the Drive Enclosure Component icon (which is the icon furthest to the right). The Drive Enclosure Component Information window opens.
2. Click the ESM icon in the left pane. The ESM information displays in the right pane of the Drive Enclosure Component Information window.
3. Locate the firmware version of each ESM in the drive enclosure.

## Receiving product updates and support notifications

Be sure to download the latest versions of the following packages at the time of initial installation and when product updates become available:

- DS Storage Manager host software
- DS4000 and DS5000 storage subsystem controller firmware
- DS4000 and DS5000 drive expansion enclosure ESM firmware
- Drive firmware

### Important

Keep your system up-to-date with the latest firmware and other product updates by subscribing to receive support notifications.

For more information about how to register for support notifications, see the following IBM Support Web page:

[www.ibm.com/systems/support/storage/subscribe/moreinfo.html](http://www.ibm.com/systems/support/storage/subscribe/moreinfo.html)

You can also check the **Stay Informed** section of the IBM Disk Support Web site, at the following address:

[www.ibm.com/systems/storage/support/disk/index.html](http://www.ibm.com/systems/storage/support/disk/index.html)

## Best practices guidelines

To ensure optimal operation of your system, always follow these best practices guidelines:

- Ensure that your system is in an optimal state before you shut it down. Never turn the power off if any Needs Attention LED is lit; be sure to resolve any error conditions before you shut down the system.
- Back up the data on your storage drives periodically.
- To maintain power redundancy, plug the EXP520 right and left power supply and fan units into two independent external power circuits through distribution units inside a rack cabinet or directly into external receptacles. Similarly, the right and left power supplies of the DS5000 storage subsystem that the EXP520 storage expansion enclosures are attached to should be plugged into the same two independent external power circuits as the EXP520s. This ensures that the DS5000 storage subsystem and all its attached storage expansion enclosures will have power in the event that only one power circuit is available. In addition, having all the right or all the left power cables plugged into the same power circuit enables the DS5000 devices in the configuration to power on simultaneously during an unattended restoration of power. See Figure 28 on page 44 for an example of redundant power connections.

**Note:** Do not overload the circuits that power your storage subsystem and storage expansion enclosures. Use additional pairs of power distribution units (PDUs) if necessary. Refer to Table 12 on page 16 for information on storage expansion enclosure power requirements. Contact your IBM service representative for additional information if needed.

- Before any planned system shutdown or after any system additions, removals, or modifications (including firmware updates, logical drive creations, storage partitioning definitions, hardware changes, and so on), complete the following tasks:
  1. Save the storage subsystem profile.
  2. Save the storage subsystem configuration.

Make sure that you save the files in a location other than in the logical drives that were created for the storage subsystem.

For more information on how to complete these tasks, check the DS Storage Manager online help or the DS Storage Manager guide for your operating system.

- During any maintenance or attended power-up procedure, carefully follow the power-up sequence listed in “Powering on the EXP520” on page 47. Check that each component of the subsystem is powered-on in the proper order during this entire power-up procedure to ensure the controller will be able to optimally access all of your storage subsystems.
- The storage subsystem supports simultaneous power-up to the system components; however, you should always follow the power-up sequence listed in “Powering on the EXP520” on page 47 during any attended power-up procedure.
- A storage system in an optimal state should recover automatically from an unexpected shutdown and unattended simultaneous restoration of power to system components. After power is restored, call IBM support if any of the following conditions occur:
  - The storage subsystem logical drives and subsystems are not displayed in the DS Storage Manager graphical user interface (GUI).
  - The storage subsystem logical drives and subsystems do not come online.
  - The storage subsystem logical drives and subsystems seem to be degraded.

## Specifications

This section provides site specifications for the storage expansion enclosure. Before installing a storage expansion enclosure, you must either verify that your planned installation site meets these requirements, or prepare the site so that it does meet these requirements. Preparations might involve meeting area requirements, environmental requirements, and electrical requirements for storage expansion enclosure installation, service, and operation.

## Area requirements

The floor space at the installation site must provide enough strength to support the weight of the storage subsystem and associated equipment; sufficient space to install, operate, and service the storage subsystem; and sufficient ventilation to provide a free flow of air to the unit.

## Dimensions

Figure 6 shows the dimensions of the EXP520, which conforms to the 19-inch rack standard.

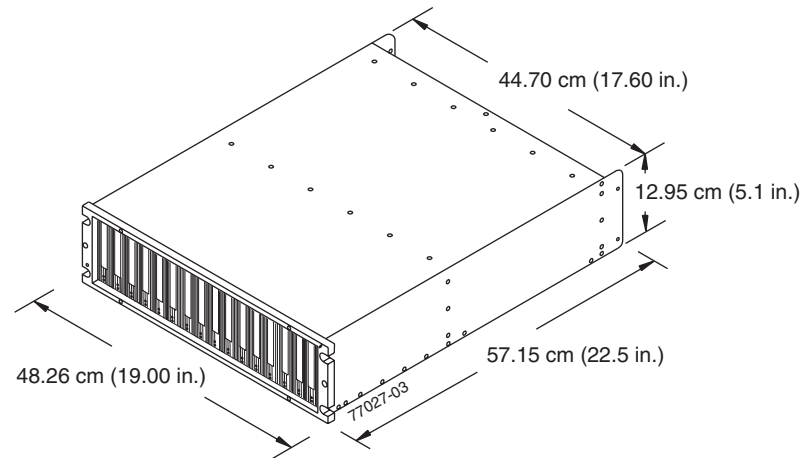


Figure 6. EXP520 dimensions

## Weight

The total weight of the storage expansion enclosure depends on the number of components installed. Table 5 lists the maximum, empty, and shipping weights for the storage subsystem in different configurations. Table 6 lists the weight of each component.

Table 5. EXP520 weights

Unit	Weight		
	Maximum <sup>1</sup>	Empty <sup>2</sup>	Shipping
EXP520	38.1 kg (84 lb)	16.4 kg (36.1 lb)	50.5 kg (111.0 lb)

<sup>1</sup> Chassis with all FRUs and 16 drives.

<sup>2</sup> Chassis without FRUs and drives but with front cage frame and midplane.

Table 6. EXP520 component weights

Unit	Weight
Drive	0.75 kg (1.65 lb)

Table 6. EXP520 component weights (continued)

Unit	Weight
Power supply and fan unit	3.60 kg (7.95 lb)
ESM	1.88 kg (4.15 lb)

## Shipping dimensions

Table 7 lists shipping carton dimensions. The height shown includes the height of the pallet.

Table 7. EXP520 shipping carton dimensions

Height	Width	Depth
45.7 cm (18.0 in.)	62.6 cm (24.5 in.)	80.7 cm (31.75 in.)

## Environmental requirements and specifications

This section describes the environmental requirements and specifications for the storage expansion enclosure, including temperature and humidity, altitude, airflow and heat dissipation, shock and vibration requirements, and acoustic noise levels.

### Temperature and humidity

Table 8 lists the acceptable temperature and humidity ranges for the EXP520 storage expansion enclosure when in storage or in transit. Table 9 on page 15 lists temperature and humidity ranges for the storage subsystem in typical Information Technology (IT) or office environments. Table 10 on page 15 lists temperature and humidity ranges for the storage expansion enclosure in a NEBS/ETSI compliant environment.

**Note:** Substantial deviations from the suggested operating range, in either direction, if sustained for extended periods of time, will expose the unit to greater risk of failure from external causes.

**Important:** The recommended operating environment air temperature is 22° C (72° F) or lower.

Table 8. Temperature and humidity requirements for storage expansion enclosure when in storage or in transit

Condition	Parameter	Requirement
Temperature	Storage range	-10° - 65° C (14° - 149° F)
	Maximum rate of change	15° C (27° F) per hour
	Transit range	-40° C to 65° C (-40° F to 149° F)
	Maximum rate of change	20° C (36° F) per hour
Relative humidity (no condensation)	Storage range	8% to 90%
	Transit range	5% to 95%
	Maximum dew point	26° C (79° F)
	Maximum gradient	10% per hour



Table 9. Temperature and humidity requirements for storage expansion enclosure in a typical Information Technology (IT) or office environment

Condition	Parameter	Requirement
Temperature	Operating range	10° - 35° C (50° - 95° F)
	Maximum rate of change	10° C (18° F) per hour
Relative humidity (no condensation)	Operating range	8% to 80%

Table 10. Temperature and humidity requirements for storage expansion enclosure in a NEBS/ETSI compliant environment

Condition	Parameter	Requirement
Temperature <sup>1</sup>	Operating range	5° - 40° C (41° - 104° F)
	Short-term <sup>2</sup>	-5° - 50° C (23° - 122° F)
	Maximum rate of change	30° C (54° F) per hour
Relative humidity <sup>1</sup> (no condensation)	Operating range	5% to 85%
	Short-term <sup>2</sup>	5% to 90% (not to exceed 0.024 kg water/kg of dry air)

**Notes:**

1. In a NEBS/ETSI compliant environment, conditions are measured at a location 1.5 m (59 in.) above the floor and 400 mm (15.8 in.) in front of the equipment.
2. Short-term refers to a period of not more than 96 consecutive hours and a total of not more than 15 days in one year. (This refers to a total of 360 hours in any given year, but no more than 15 occurrences during that one-year period.)

**Altitude**

Table 11 lists the acceptable altitudes for operating, storing, and shipping the EXP520.

Table 11. EXP520 altitude ranges

Environment	Altitude
Operating	30.5 m (100 ft.) below sea level to 3000 m (9842 ft.) above sea level
Storage	30.5 m (100 ft.) below sea level to 3000 m (9842 ft.) above sea level
Transit	30.5 m (100 ft.) below sea level to 12,000 m (40,000 ft.) above sea level

**Airflow and heat dissipation**

Figure 7 on page 16 shows the intended airflow for the EXP520. Allow at least 30 inches in front of the storage subsystem and at least 24 inches behind the storage subsystem for service clearance, proper ventilation, and heat dissipation.

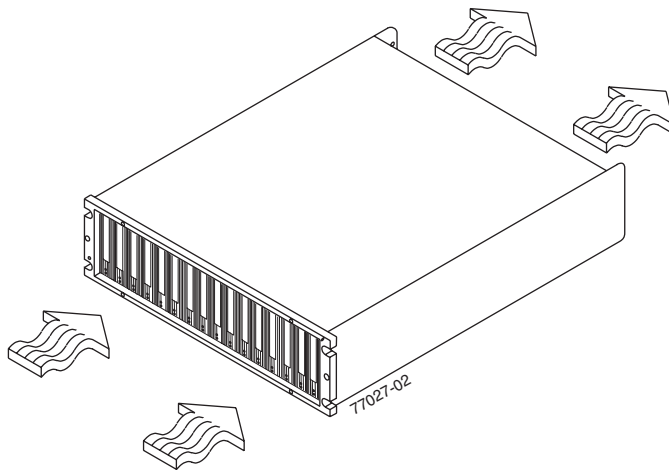


Figure 7. EXP520 airflow

Table 12 lists the KVA, watts, and Btu calculations. These values assume the power supplies have a 73 percent efficiency and a power factor of 0.99. These tabulated power and heat dissipation values are typical for the storage subsystem. Maximum configuration units are typically operated at higher data rates, have larger random access memory (RAM) capacities, or have different host interface boards.

Table 12. EXP520 power and heat dissipation

Parameter	KVA	Watts (ac)	Btu per hour
EXP520	0.454	443	1516

## Shock and vibration requirements

Operational shock and operational vibration requirements are shown in this section.

**Operational Shock:** The EXP520 will be able to withstand the following shock. Subjecting the equipment to a single shock pulse with the following characteristics will simulate this level of shock:

- Velocity change = 20 inches per second
- Wave form = Triangular, 10g @3.75 ms

**Operational Vibration (Random):** While in its normal operating position, the EXP520 will continue operating when subjected to a random vibration test using the criteria shown in Table 13. This test uses the indicated spectral power density for 30 minutes in each of the three axes.

Table 13. Random vibration power spectral density

Hz	5	17	45	48	62	65	150	200	500
g <sup>2</sup> /Hz	2.0x10 <sup>-7</sup>	2.2x10 <sup>-5</sup>	2.2x10 <sup>-5</sup>	2.2x10 <sup>-5</sup>	2.2x10 <sup>-5</sup>	2.2x10 <sup>-5</sup>	2.2x10 <sup>-5</sup>	2.2x10 <sup>-5</sup>	2.2x10 <sup>-5</sup>

## Acoustic noise

Table 14 lists the maximum sound levels emitted by the storage subsystem.

Table 14. EXP520 sound levels

Measurement	Level
Sound power (normal operation)	6.5 bels

Table 14. EXP520 sound levels (continued)

Measurement	Level
Sound pressure (normal operation)	65 dBA

These levels are measured in controlled acoustical environments according to ISO 7779 and are reported in accordance with ISO 9296. The declared sound power levels indicate an upper limit, below which a large portion of machines operate. Sound pressure levels in your location might exceed the average 1-meter values stated because of room reflections and other nearby noise.

## Electrical requirements

This section provides information regarding site power and wiring, storage subsystem ac power requirements, and power cord routing instructions.

Consider the following information when preparing the installation site:

- Protective ground – Site wiring must include a protective ground connection to the ac power source.

**Note:** Protective ground is also known as safety ground or chassis ground.

- Circuit overloading – Power circuits and associated circuit breakers must provide sufficient power and overload protection. To prevent possible damage to the unit, isolate its power source from large switching loads (such as air conditioning motors, elevator motors, and factory loads).
- Power failures – If a total power failure occurs, the unit automatically performs a power-up recovery sequence without operator intervention after power is restored.

Table 15. EXP520 ac power requirements

	Low Range	High Range
Nominal Voltage	90 to 136 VAC	180 to 264 VAC
Frequency (Hertz)	50 to 60 Hz	50 to 60 Hz
Idle Current	3.86 A <sup>a</sup>	2.05 A <sup>b</sup>
Maximum Operating Current	4 A/4.54 A <sup>a c</sup>	2.12 A/2.41 A <sup>b c</sup>
Maximum Surge Current	5.04 A <sup>a</sup>	2.67 A <sup>b</sup>

<sup>a</sup>. Typical voltage: 115 V AC, 60 Hz, assumes 73% power-supply efficiency and 0.99 power factor

<sup>b</sup>. Typical voltage: 230 V AC, 60 Hz, assumes 73% power-supply efficiency and 0.99 power factor

<sup>c</sup>. The higher number in this range applies when all of the drives are placed in Selfseek mode.

### Power and site wiring requirements for models with power supply and fan units

The storage expansion enclosure uses wide-ranging redundant power supplies that automatically accommodate voltages to the power source. The power supplies operate within the ranges specified in Table 15. The power supplies meet standard voltage requirements for both domestic (inside USA) and international (outside USA) operation. They use standard industrial wiring with line-to-neutral or line-to-line power connections.

The agency ratings for the EXP520 storage expansion enclosure are 6 amps at 100 VAC and 2.5 amps at 240 VAC. These are the overall maximum operating currents for the EXP520 storage expansion enclosure with power supply and fan unit FRUs.

**Power recovery after a power failure:** After a total power failure, after normal power is restored, the storage expansion enclosure performs power-up recovery procedures automatically without operator intervention.

**Power cords and receptacles:** The storage expansion enclosure ships with two jumper cords used to connect to the rack PDU. You must purchase the power cords that are appropriate for use in a typical outlet in the destination country. See Appendix D, “Power cords,” on page 121 for more information.

## Heat output, airflow, and cooling

See “Airflow and heat dissipation” on page 15 for heat output, airflow, and cooling specifications.

**Note:** In general, disk subsystem reliability tends to decrease as the ambient temperature of the environment in which it is being used increases. The ambient temperature in the immediate area of the disk enclosure unit should be kept near 22° C (72° F), or lower, to provide better reliability.

When racks that contain many storage expansion enclosures are to be installed together, the following requirements must be met to ensure that the storage expansion enclosures are adequately cooled:

- Air enters at the front of the rack and leaves at the back. To prevent the air that is leaving the rack from entering the intake of another piece of equipment, you must position the racks in alternate rows, back-to-back and front-to-front. This arrangement is known as *cold aisle and hot aisle* and is shown in Figure 8 on page 19.
- Where racks are in rows, each rack must touch the rack that is next to it to reduce the amount of hot air that can flow around from the back of the rack into the intakes of the storage expansion enclosures that are in that rack. You should use Suite Attach Kits to completely seal any gaps that remain between the racks. For details about Suite Attach Kits, contact your marketing representative.
- Where racks are in rows front-to-front or back-to-back, a gap of at least 1220 mm (48 in.) must separate the rows across the cold aisle.
- To ensure correct airflow in each rack, the rack filler plates must be installed in unused positions. Also, all the gaps in the front of the racks must be sealed, including the gaps between the storage expansion enclosures.

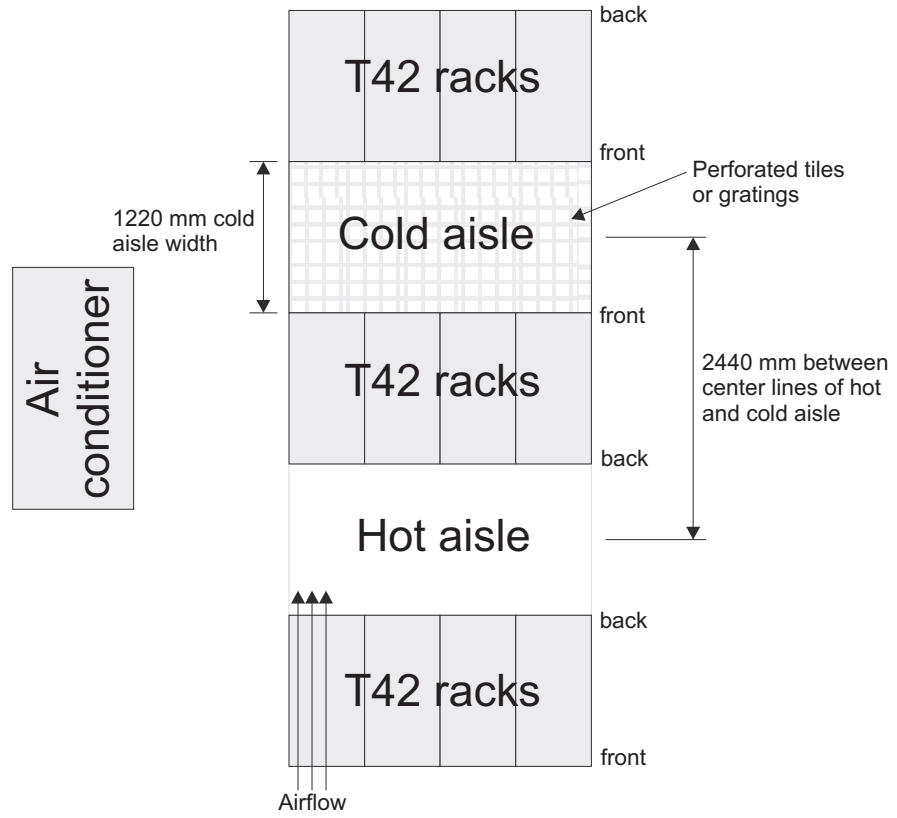


Figure 8. Example of cold aisle/hot aisle rack configuration



## Chapter 2. Installing the EXP520

This chapter provides the information that you need to prepare the storage expansion enclosure for installation into a rack cabinet.

Before you begin the installation, review the safety information in “Safety” on page xi.

“Installation overview” provides an overview of the storage expansion enclosure installation process. Read this overview before you begin the installation.




### Installation overview

The following sequence summarizes the installation steps you will perform in this chapter:

1. Prepare the installation site and the rack cabinet. Unpack the EXP520 and other hardware from the shipping box. See “Preparing for installation” on page 22.

#### Statement 4:



		
≥ 18 kg (39.7 lb)	≥ 32 kg (70.5 lb)	≥ 55 kg (121.2 lb)

#### CAUTION:

**Use safe practices when lifting.**

**Attention:** The EXP520 weighs up to 40 kg (88 lb). At least three other people should help you lift the EXP520 from the shipping box.

2. Install the support rails in the rack. See “Installing the support rails” on page 24.
3. Install the EXP520. See “Installing the EXP520 into a rack” on page 28.
4. Cable the EXP520 to other EXP520s or to a DS5000. See Chapter 3, “Cabling the EXP520,” on page 31.
5. Install the DS Storage Manager host software. See “Software and hardware compatibility and upgrades” on page 9 for the appropriate version. For instructions to install the DS Storage Manager host software, see the *IBM System Storage DS Storage Manager Version 10 Installation and Host Support Guide* for the applicable operating system.
6. Turn on the EXP520 (if you have not done so already). See “Powering on the EXP520” on page 47.

---

## Handling static-sensitive devices

**Attention:** Static electricity can damage electronic devices and your system. To avoid damage, keep static-sensitive devices in their static-protective packages until you are ready to install them.

To reduce the possibility of electrostatic discharge, observe the following precautions:

- Limit your movement. Movement can cause static electricity to build up around you.
- Handle the device carefully, holding it by its edges or its frame.
- Do not touch solder joints, pins, or exposed printed circuitry.
- Do not leave the device where others can handle and possibly damage the device.
- While the device is still in its static-protective package, touch it to an unpainted metal part of the system unit for at least two seconds. This drains static electricity from the package and from your body.
- Remove the device from its package and install it directly into your system unit without setting it down. If it is necessary to set the device down, place it in its static-protective package. Do not place the device on your system unit cover or on a metal table.
- Take additional care when handling devices during cold weather because heating reduces indoor humidity and increases static electricity.

---

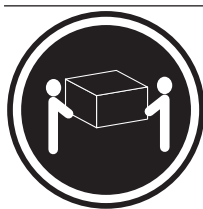
## Preparing for installation

Before installing the storage expansion enclosure, create a detailed plan of how this unit will be used in your storage configuration. The plan should include determining RAID levels, fallover requirements, operating systems to be used, and total storage capacity requirements.

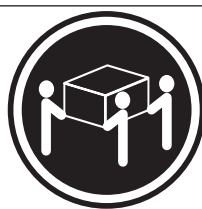
Complete the following steps to prepare the storage expansion enclosure for installation into a rack cabinet:

1. Prepare the site to meet all area, environmental, power, and site requirements. For more information, see “Specifications” on page 13.
2. Move the storage expansion enclosure to the site.

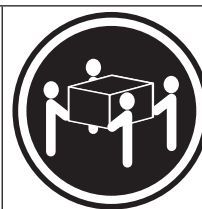
**Statement 4:**



≥ 18 kg (39.7 lb)



≥ 32 kg (70.5 lb)



≥ 55 kg (121.2 lb)

**CAUTION:**  
Use safe practices when lifting.



3. Remove the storage expansion enclosure from its shipping container and check the contents (see “Inventory checklist” on page 3). If any items are missing, contact your IBM reseller before proceeding.
  4. Verify that you have the following software:
    - The correct version of the IBM DS Storage Manager software. See “EXP520 hardware and software compatibility” on page 10.
    - DS5000 controller firmware that ships with the storage expansion enclosure. You use this software to configure the storage subsystems.
- Note:** Different DS5000 models may have different firmware versions.
5. Read *Storage System Product Release Notes* for any updated information about hardware, software, or firmware products.
  6. Continue with “Preparing the site.”

## Tools and hardware required

Gather the tools and equipment you will need for installation. These might include the following:

- The rack power jumper cords that are shipped with the storage expansion enclosure
- Number 2 Phillips screwdriver
- 5/16 (8 mm) hex nut driver
- Anti-static protection (such as a grounding wrist strap)
- Fibre channel (FC) and Ethernet interface cables and cable straps
- SFP modules
- Rack-mounting hardware that ships with the storage expansion enclosure

## Preparing the site

This section lists the floor space requirements and weight information for the storage expansion enclosure. For information on interface cables and connections, see Chapter 3, “Cabling the EXP520,” on page 31.

**Floor space:** The floor area at the installation site must provide the following conditions:

- Enough stability to support the weight of the fully configured storage expansion enclosure and associated systems
- Sufficient space to install the storage expansion enclosure

**Weight:** The storage expansion enclosure total weight depends on the number of fibre channel hard disk drives that are installed. A fully configured storage expansion enclosure with two power supply and fan units, two ESMs, and up to 16 fibre channel hard disk drives installed weighs 40 kg (88 lbs).

**Other:** Consider the following important preparation activities:

- Install uninterruptible power supply (UPS) devices.
- Install host bus adapters (HBAs), switches, or other devices, if applicable.
- Route interface cables from the hosts or switches to the installation area.
- Route main power cords to the installation area.

Continue with “Preparing the rack” on page 24.

## Preparing the rack

**Important:** Before you install the storage expansion enclosure in a rack, keep in mind the following considerations:

- Review the documentation that comes with your rack enclosure for safety and cabling considerations.
- If you are using a non-IBM rack or cabinet, review the information in Appendix C, “Specifications for non-IBM rack installation,” on page 113.
- Do not extend more than one device out of the rack cabinet at the same time.
- Install the storage expansion enclosure in a maximum 35° C (95° F) environment.
- To ensure proper airflow, do not block the air vents; 15 cm (6 in.) of air space is sufficient.
- To ensure rack stability, load the rack starting at the bottom.
- If you install multiple components in the rack, do not overload the power outlets.
- Always connect the storage expansion enclosure to a properly grounded outlet.

Complete the following steps to prepare the rack before you install the storage expansion enclosure:

1. Move, unpack, and level the rack at the installation site (if needed).
2. Remove the external rack panels.
3. If necessary, stop all I/O activity to the devices in the rack.
4. If necessary, turn off all drive enclosure and rack power. Disconnect existing power, network, and other external cables.
5. Install any additional interface cables and power cables.

After you have completed these steps, continue with “Installing the support rails.”

---

## Installing the support rails

**Attention:** Duplicate copies of the rack mounting templates are provided in Appendix B, “Rack mounting template,” on page 109. If you want to tear out the templates from this document for easier use, use the copies in Appendix B, “Rack mounting template,” on page 109 rather than the copies provided in this section.

Use the following templates (Figure 9 on page 25 and Figure 10 on page 26) to identify the proper locations for inserting M5 screws when mounting the support rails and EXP520 to a rack. The locations for the M5 screws are highlighted in the templates.

The EXP520 is 3 U high. Align the template with the rack at a U boundary. U boundaries are shown as horizontal dashed lines in the rack mounting templates.

**Note:** The mounting holes that are shown in the following templates are square. The holes in your rack might be round, square, or threaded.

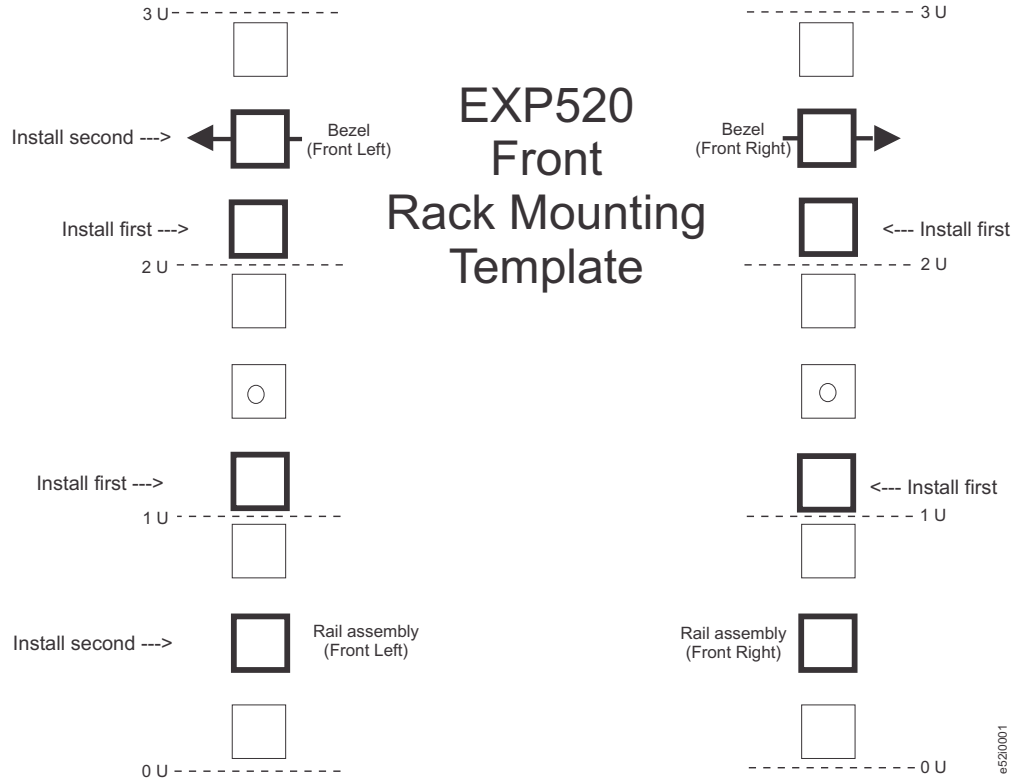


Figure 9. Front rack mounting template

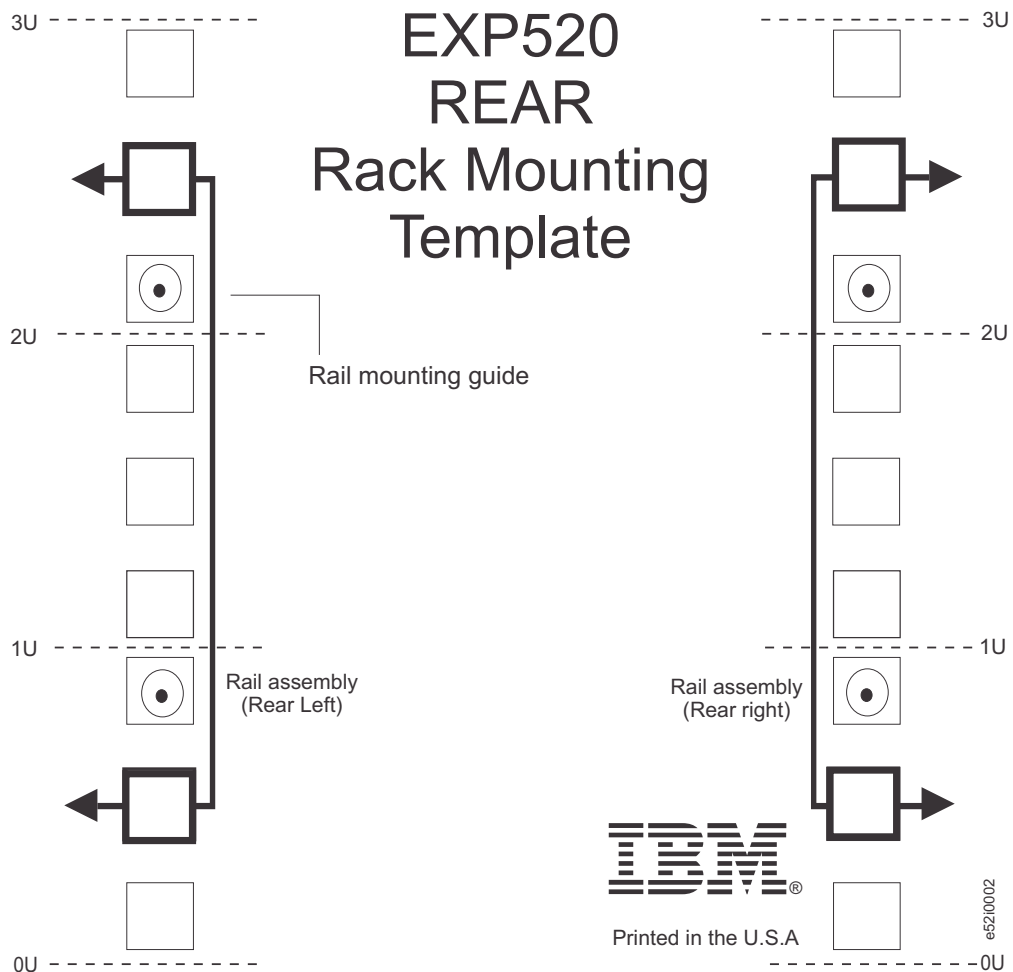


Figure 10. Rear rack mounting template

Before installing the EXP520 in a rack, you must install the rails and rack-mounting hardware that come with your storage expansion enclosure. The EXP520 requires an Electronic Industries Association (EIA) 310-D Type A 19-inch rack cabinet. The distance between EIA rails, from the front to the rear of the rack, is 60.96 cm (24 in.) minimum and 81.28 cm (32 in.) maximum. This rack conforms to the EIA standard. Where you place the support rails in the rack depends on where you intend to position the storage expansion enclosure.

**Note:** If you are using a non-IBM rack or cabinet, review the information in Appendix C, “Specifications for non-IBM rack installation,” on page 113.

Complete the following steps to install the support rails:

**Note:** Refer to Figure 11 on page 28 while performing these steps.

1. Ensure that the rack has already been installed.
2. Ensure that a stabilizer has been correctly attached to the bottom front of the rack to prevent the rack from tipping forward while the EXP520 is being installed.

Refer to the installation and service guide, or equivalent, for the rack as required.

3. Locate the two support rails, eight of the twelve M5 screws, and eight washers that are supplied with the EXP520.

**Note:** The M5 screws and washers may already be attached to the support rails. If so, remove them from the support rails.

4. The rack-mounted unit is three EIA units high. Decide accordingly where you are going to install the support rails.

**Attention:** Use the rack mounting template provided in Figure 9 on page 25 and Figure 10 on page 26 to locate the proper rack mounting holes for installing the support rails into the rack.

Note the following considerations before you choose where to install the rails:

- If you are installing the EXP520 into an empty rack, install it into the lowest available position so that the rack does not become unstable.
  - If you are installing more than one EXP520 in the rack, start at the lowest available position, and work upward.
  - If appropriate, allow for possible later installation of other units.
  - If necessary, remove the rack power distribution unit before you install the support rails.
  - For procedures and more information, refer to the installation and service guide, or equivalent, for the rack.
5. Using a #2 Phillips screwdriver, loosen the two screws on the left support rail that hold the two parts of the rail together ( **5** ).

**Note:** The support rails are not marked as left or right. However, each rail can be correctly mounted on only one side of the rack cabinet. The rails should be mounted with the alignment pins at the back of the rack. Figure 11 on page 28 shows the installation of the left support rail.

6. Hold the back of the rail against the inside of the rack-mounting flange. Make sure the rail mounting guide pins are in the correct holes. See Figure 10 on page 26 for an illustration.
7. Using the 5/16 (8 mm) hex nut driver, securely tighten the two M5 screws ( **2** ).

**Note:** Make sure you use a washer when installing an M5 screw through a *square* hole on the rack-mounting flange.

8. Extend the rail to the front of the rack until it makes contact with the front rack-mounting flange ( **3** ).
9. Securely tighten the two M5 screws ( **1** ).

**Note:** Be sure to install the screws labeled *install first* in Figure 9 on page 25.

10. Securely tighten the two screws on the left support rail that hold the two parts of the rail together ( **5** ).
11. Repeat step 5 through step 10 for the right support rail.

**Note:** Because the mounting holes on the rack are not always the same size as the mounting screws, the lip ( **6** ) of each of the support rails may not line up evenly. Make minor adjustments as needed to ensure that the lip of the left and right support rails are lined up evenly on the racks. Failure to do so will cause the storage expansion enclosure to fit unevenly in the rack.

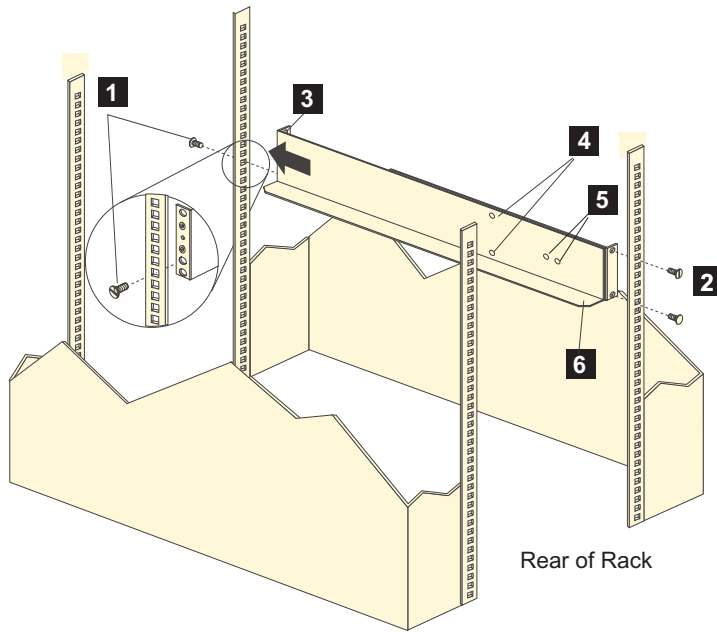


Figure 11. Installing the support rails

12. Continue with “Installing the EXP520 into a rack.”

## Installing the EXP520 into a rack

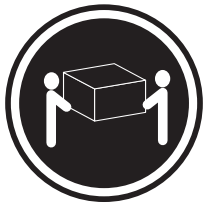


Complete the following steps to install the EXP520 in the rack.

### CAUTION:

Do not install modules or other equipment in the top half of a rackmount cabinet while the bottom half is empty. Doing so can cause the cabinet to become top-heavy and tip over. Always install hardware in the lowest available position in the cabinet.

Statement 4:



		
≥ 18 kg (39.7 lb)	≥ 32 kg (70.5 lb)	≥ 55 kg (121.2 lb)

### CAUTION:

Use safe practices when lifting.

1. Put on anti-static protection, and keep it on while performing all of the remaining procedures in this chapter.

2. Remove the four screws from the rails (two screws in each rail). See **4** in Figure 11 on page 28. If you do not remove these screws, the storage expansion enclosure will not fit securely.
3. Place the storage expansion enclosure in the rack.

**Note:** If you have removed the FRUs from the EXP520, you should be able to lift the unit into the cabinet with the help of one other person. If you have not removed the FRUs before the installation, you should have at least two other people available to help you lift the unit into the rack.

- a. Move the storage expansion enclosure to the front of the rackmount cabinet.
- b. With help from another person, place the back of the storage expansion enclosure on the support rails, and then slide the unit into the rack as shown in Figure 12.

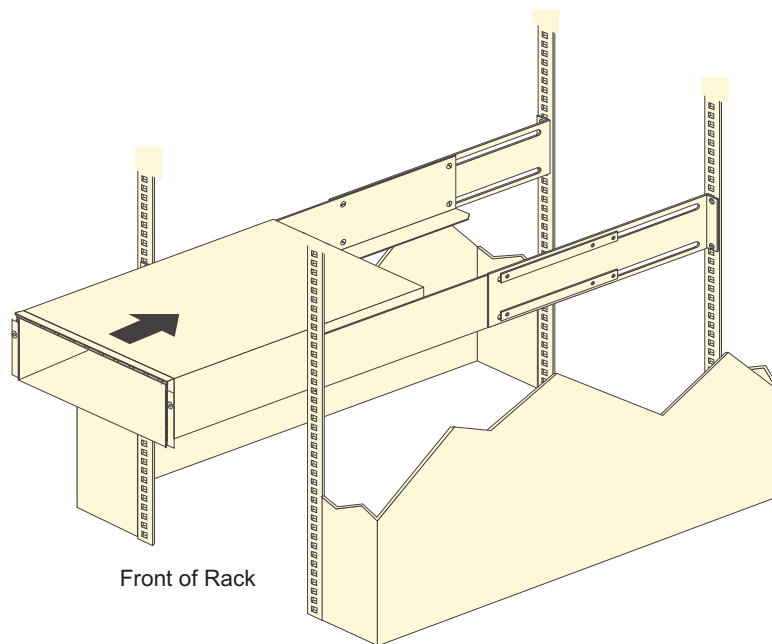
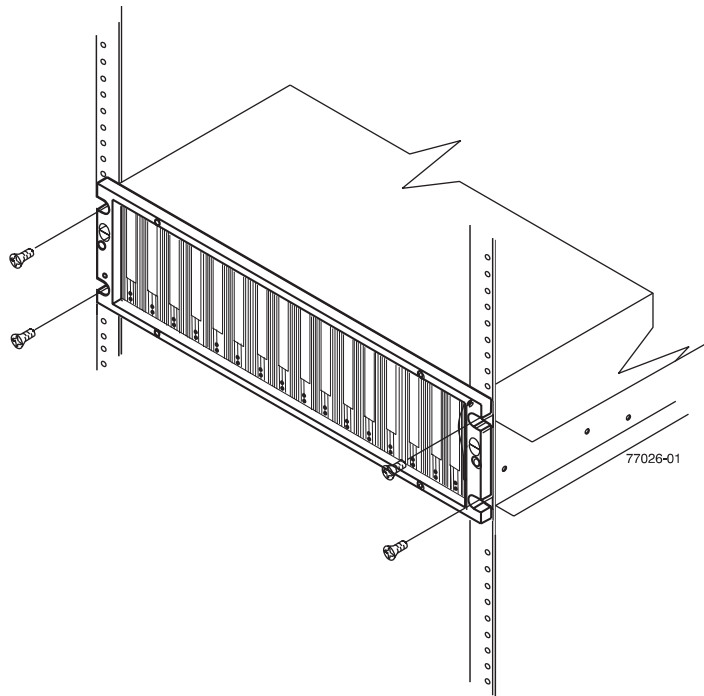


Figure 12. Installing the EXP520

4. Secure the storage expansion enclosure. Figure 13 on page 30 shows how to secure the storage expansion enclosure to the rack.
  - a. Align the front mounting holes on each side of the storage expansion enclosure with the mounting holes on the front of the support rails.
  - b. Using the screws that you removed in step 2, secure the sides in the back of the EXP520 storage expansion enclosure to the rack rails.
  - c. Secure the front of the storage expansion enclosure using the four M5 screws as shown in Figure 13 on page 30.



*Figure 13. Securing the storage expansion enclosure to the rack*

5. Continue with “Cabling the EXP520” on page 32.



---

## Chapter 3. Cabling the EXP520

After the storage expansion enclosure is installed in its permanent location, you must cable it to hosts and other storage devices, depending on your hardware configuration.

This chapter addresses the following cabling and configuration topics:

- “Enclosure ID settings ”
- “Fibre channel loop and ID settings” on page 32
- “Cabling the EXP520” on page 32
- “Installing SFP modules” on page 33
- “Removing SFP modules” on page 35
- “Handling fibre-optic cables” on page 36
- “Using LC-LC fibre-channel cables” on page 37
- “Cabling the EXP520 to a storage subsystem” on page 41
- “EXP520 loop redundancy” on page 43
- “Cabling the power supply” on page 44

---

### Enclosure ID settings

The enclosure ID, comprised of a pair of seven-segment numbers (referred to x10 and x1 digits), is located on the back of each ESM next to the indicator lights. It provides a unique identifier for each module in the storage subsystem. Each storage expansion enclosure (including the DS5000 storage subsystems with internal drive slots) in the DS5000 storage subsystem configuration must have a unique storage enclosure ID in the DS5000 subsystem configuration. In addition, the single digits (x1) of the enclosure IDs of all enclosures (including the DS5000 storage subsystems with internal drive slots) in the redundant drive channel/loop pair must be unique.

The DS5000 controller firmware and storage expansion enclosure ESM *automatically* set the enclosure ID number. You can change the setting through the storage management software if necessary. Both ESM enclosure ID numbers are identical under normal operating conditions.

If the enclosure IDs in your DS5000 subsystem configuration are not currently set to have unique single digit (x1) values for the enclosures in the same redundant drive channel/loop pair, make the changes to the enclosure IDs using the DS Storage Manager software.

The allowable ranges for enclosure ID settings are 0-99. However, IBM recommends that you do not set the enclosure ID to 00 or any number greater than 80 because DS5000 storage subsystem enclosure IDs are set in this range. In addition, you must ensure that the single-digit (x1) of the enclosure ID for every enclosure in a redundant drive loop pair is unique. (This also includes any storage subsystem that has drives installed.)

Figure 14 on page 32 shows the enclosure ID.

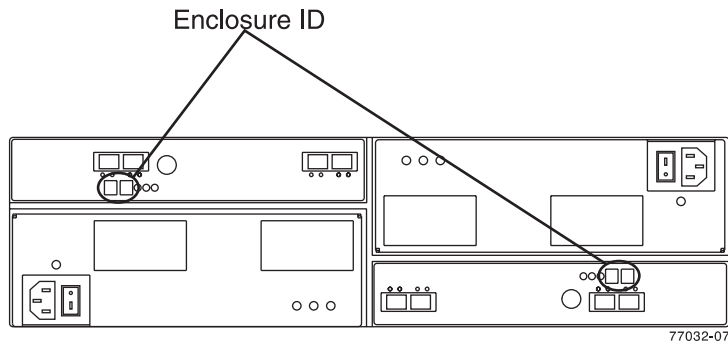


Figure 14. Storage expansion enclosure seven-segment enclosure ID

---

## Fibre channel loop and ID settings

When you install a hard disk drive in the storage expansion enclosure, the drive tray plugs into a printed circuit board called the *midplane*. The midplane sets the fibre-channel loop ID automatically based on the enclosure ID setting and the physical location (bay) of the hard disk drive.

---

## Cabling the EXP520

The storage expansion enclosure supports two redundant drive loops. A redundant storage expansion enclosure drive loop consists of one or more storage expansion enclosures that are connected to a storage subsystem using two sets of fibre-channel cables. If one fibre-channel drive loop fails, the storage subsystem uses the other drive loop to maintain input/output (I/O) to the storage expansion enclosure drives. Usually, there are two redundant array of independent disks (RAID) controllers in a storage subsystem. Use the *Installation, User's and Maintenance Guide* or *System Storage Quick Start Guide* that ships with your storage subsystem for the specific information about cabling the storage expansion enclosure to a storage subsystem. Before cabling the storage expansion enclosure, read the following information:

- **Fibre-channel loop/channel:** A fibre-channel loop consists of drive expansion enclosures that are connected to each other and to one or more RAID controllers. A loop/drive channel can support multiple RAID controllers, multiple drive expansion enclosures, and other addressable entities such as system-management logic chips. Refer to your storage subsystem documentation for information about controller-dependent hardware configuration. Some controllers might have restrictions on the maximum number of disk drives that can be supported on a loop, cabling restrictions, and other requirements.
- **SFP module ports:** The storage expansion enclosure supports large, complex, and redundant disk drive loop configurations. Each ESM has two SFP module ports. Each SFP module has an input and output port. A loop is created by connecting one or more storage expansion enclosures to one or more RAID controllers.
- **Fibre-channel cable restrictions:** RAID controllers use specific IBM fibre-channel options. Refer to the *IBM System Storage DS5000 Hardware Maintenance Manual, Problem Determination Guide*, or your IBM representatives or resellers for the cable option that is required for your configuration.
- **Power cabling:** The storage expansion enclosure uses two standard power cables. You can connect the power cables to a primary power unit inside the

rack, such as a properly grounded distribution unit or uninterruptible power supply. You can also connect the power cable to an external source, such as a properly grounded electrical outlet.

**Note:** To ensure maximum availability of power to your storage expansion enclosure, do not connect both the left and right power supplies to the same power circuit or power source.

---

## Installing SFP modules

The storage expansion enclosure requires SFP modules. SFP modules convert electrical signals to optical signals that are required for fibre channel transmission to and from RAID controllers. After you install the SFP modules, you use fibre-optic cables to connect the storage expansion enclosure to a DS5000 storage subsystem or other storage expansion enclosures.

**Note:** IBM SFP options have been tested and approved for the IBM DS storage products. For optimal performance and compatibility, always use IBM SFP options when installing the IBM DS products.

Before installing SFP modules and fibre-optic cables, read the following information:

- Do not mix long-wave SFPs and short-wave SFPs on a single storage subsystem. Use either long-wave SFPs or short-wave SFPs. You can use the DS Storage Manager client to view the storage subsystem profile in order to verify that you are not mixing long-wave and short-wave SFPs.

**Attention:** In addition, do not use long-wave SFPs in any of the FC ports in the FC drive loops. (Long-wave SFPs are not supported for use in the drive ports of storage expansion enclosures.)

- The SFP module housing has an integral guide key that is designed to prevent you from inserting the SFP module improperly.
- Use minimal pressure when inserting an SFP module into an SFP port. Forcing the SFP module into a port could cause damage to the SFP module or to the port.
- You can insert or remove the SFP module while the port is powered on.
- The operational or redundant loop performance is not affected when you install or remove an SFP module.
- You must insert the SFP module into a port before you connect the fibre-optic cable.
- You must remove the fibre-optic cable from the SFP module before you remove the SFP module from the port. Refer to “Removing SFP modules” on page 35 for more information.

### Statement 3:



**CAUTION:**

When laser products (such as CD-ROMs, DVD drives, fibre optic devices, or transmitters) are installed, note the following:

- Do not remove the covers. Removing the covers of the laser product could result in exposure to hazardous laser radiation. There are no serviceable parts inside the device.
- Use of controls or adjustments or performance of procedures other than those specified herein might result in hazardous radiation exposure.



**DANGER**

Some laser products contain an embedded Class 3A or Class 3B laser diode. Note the following.

Laser radiation when open. Do not stare into the beam, do not view directly with optical instruments, and avoid direct exposure to the beam.

**Attention:** When you handle static-sensitive devices, take precautions to avoid damage from static electricity. For details about handling static-sensitive devices, see “Handling static-sensitive devices” on page 22.

Complete the following steps to install an SFP module:

1. Remove the SFP module from its static-protective package.
2. Remove the protective cap from the SFP module, as shown in Figure 15. Save the protective cap for future use.

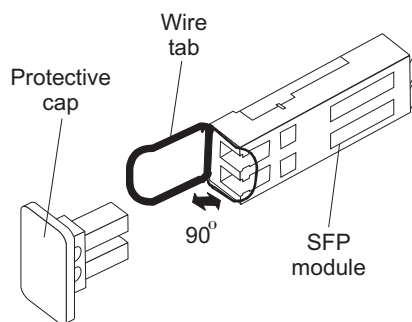


Figure 15. SFP module and protective cap

3. Remove the protective cap from the SFP port. Save the protective cap for future use.
4. Insert the SFP module into the host port until it clicks into place. See Figure 16 on page 35.

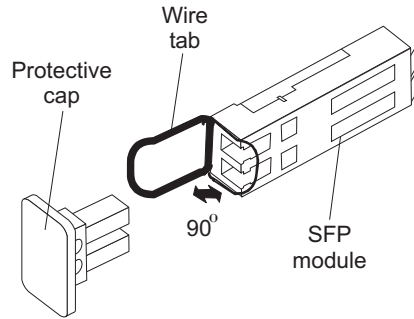


Figure 16. Installing an SFP module into the host port

5. Connect an LC-LC fibre-channel cable. For information about the LC-LC cable, see “Using LC-LC fibre-channel cables” on page 37.

## Removing SFP modules

Complete the following steps to remove the SFP module from the host port:

**Attention:** To avoid damage to the cable or to the SFP module, make sure that you unplug the LC-LC fibre-channel cable *before* you remove the SFP module.

1. Remove the LC-LC fibre-channel cable from the SFP module. For more information, see “Handling fibre-optic cables” on page 36.
2. Unlock the SFP module latch:
  - For SFP modules that contain plastic tabs, unlock the SFP module latch by pulling the plastic tab outward 10°, as shown in Figure 17.

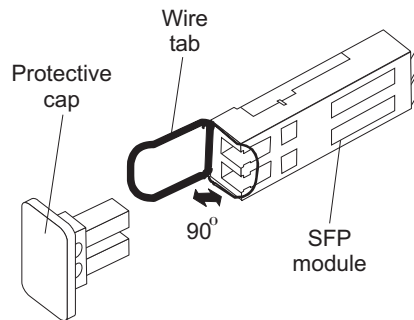


Figure 17. Unlocking the SFP module latch - plastic variety

- For SFP modules that contain wire tabs, unlock the SFP module latch by pulling the wire latch outward 90°, as shown in Figure 18 on page 36.

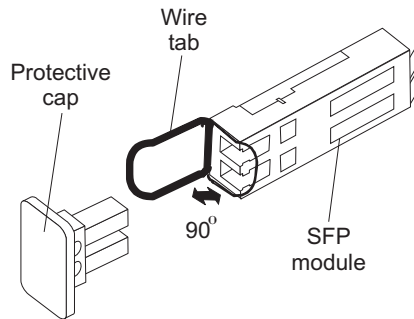


Figure 18. Unlocking the SFP module latch - wire variety

3. With the SFP latch in the unlocked position, extract the SFP module.
  - For SFP modules that contain plastic tabs, slide the SFP module out of the port.
  - For SFP modules that contain wire tabs, grasp the wire latch and pull the SFP module out of the mini-hub port.
4. Replace the protective cap on the SFP module.
5. Place the SFP module into a static-protective package.
6. Replace the protective cap on the host port.

---

## Handling fibre-optic cables

**Note:** IBM Fibre Channel (FC) cable options have been tested and approved for the IBM DS storage products. For optimal performance and compatibility, always use IBM FC cable options when installing the IBM DS products.

**Attention:** To avoid damage to your fibre-optic cables, follow these guidelines:

- For devices on slide rails, leave enough slack in the cables so they do *not* bend to a diameter of less than 76 mm (3 in.), or a radius less than 38 mm (1.5 in.), when extended or become pinched when retracted.
- Do not overtighten the cable straps or bend the cables to a diameter of less than 76 mm (3 in.), or a radius less than 38 mm (1.5 in.).
- When storing excess or unused fibre-optic cables, do not bend the cables to a diameter of less than 76 mm (3 in.), or a radius less than 38 mm (1.5 in.) or wrap them around themselves. See Figure 19 on page 37.
- Loop diameter of 76 mm (3 in.) and bend radius of 38 mm (1.5 in.) for fibre optic cable are IBM DS5000 recommended minimums. Loops or bends smaller than this recommendation may cause damage to your fibre optic cables. It is best practice to use loop diameters and bend radii that are greater than these recommended minimums.
- Do not route the cable along a folding cable-management arm.
- Route the cable away from places where it can be damaged by other devices in the rack cabinet.
- Do not put excess weight on the cable at the connection point. Be sure that the cable is well supported.
- Do not use plastic cable ties in place of the provided cable straps.
- The following are the supported maximum cable lengths:
  - 1 Gbps: 500 meters 50/125 um fibre, 300 meters 62.5/125 um fibre
  - 2 Gbps: 300 meters 50/125 um fibre, 150 meters 62.5/125 um fibre

- 4 Gbps: 150 meters 50/125 um fibre, 70 meters 62.5/125 um fibre

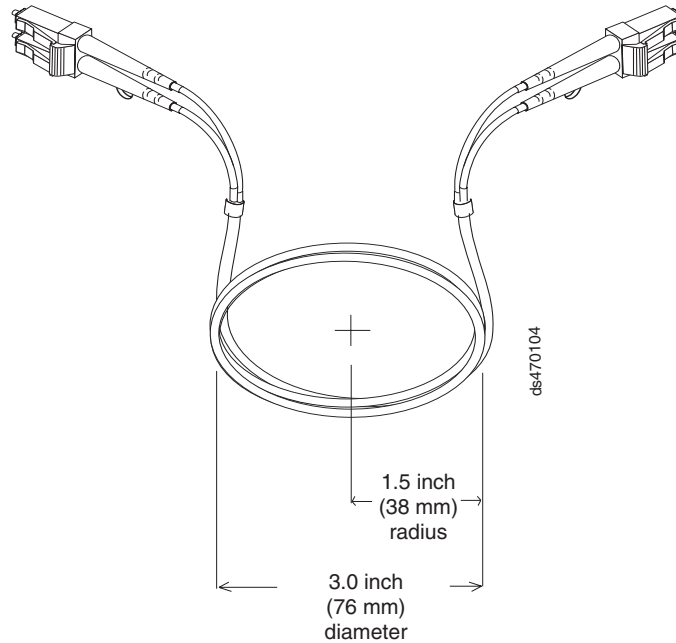


Figure 19. Recommended bending and looping specifications for fibre-optic cables

---

## Using LC-LC fibre-channel cables

The LC-LC fibre-channel cable is a fibre-optic cable that you use to connect into one of the following devices:

- An SFP module installed in an IBM storage expansion enclosure
- An SFP module installed in a DS5100 or DS5300 storage subsystem

See Figure 20 for an illustration of the LC-LC fibre-channel cable.

For more information about cabling these devices, see the documentation that comes with the LC-LC fibre-channel cable.

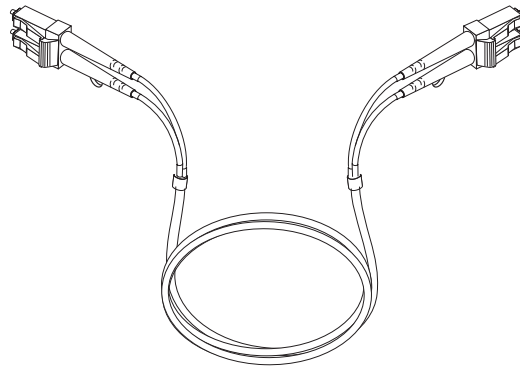


Figure 20. LC-LC fibre-channel cable

## Connecting an LC-LC cable to an SFP module

Complete the following steps to connect an LC-LC fibre-channel cable to an SFP module:

### Statement 3:



### CAUTION:

When laser products (such as CD-ROMs, DVD drives, fibre optic devices, or transmitters) are installed, note the following:

- Do not remove the covers. Removing the covers of the laser product could result in exposure to hazardous laser radiation. There are no serviceable parts inside the device.
- Use of controls or adjustments or performance of procedures other than those specified herein might result in hazardous radiation exposure.



### DANGER

Some laser products contain an embedded Class 3A or Class 3B laser diode. Note the following.

Laser radiation when open. Do not stare into the beam, do not view directly with optical instruments, and avoid direct exposure to the beam.

1. Read the information in “Handling fibre-optic cables” on page 36.
2. If necessary, remove the protective cap from the SFP module, as shown in Figure 15 on page 34. Save the protective cap for future use.
3. Remove the two protective caps from one end of the LC-LC cable, as shown in Figure 21. Save the protective caps for future use.

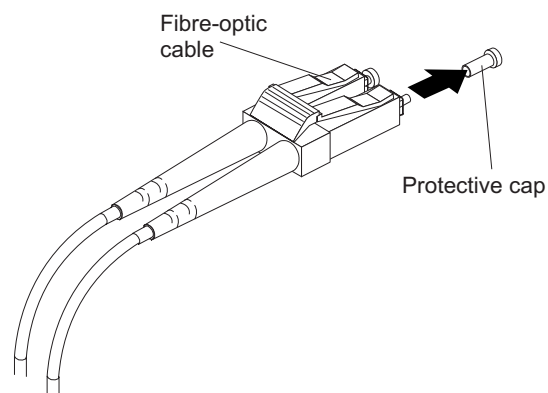


Figure 21. Removing fibre-optic cable protective caps

4. Carefully insert this end of the LC-LC cable into an SFP module that is installed in the EXP520. The cable connector is keyed to ensure it is inserted into the SFP module correctly. Holding the connector, push in the cable until it clicks into



place, as shown in Figure 22.

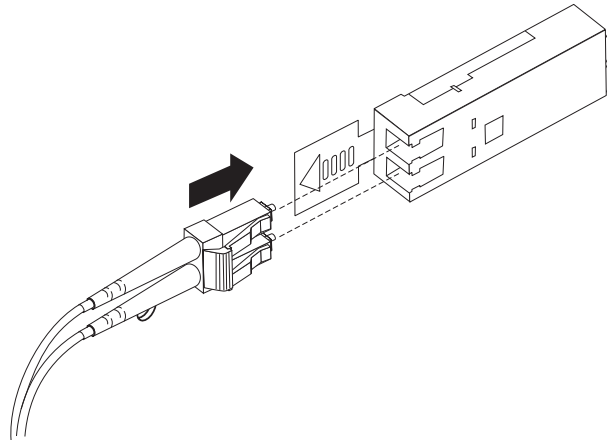


Figure 22. Inserting an LC-LC fibre-channel cable into an SFP module

5. Remove the two protective caps from the other end of the LC-LC cable. Save the protective caps for future use.
6. Connect this end of the LC-LC cable to an SFP module that is installed in a separate EXP520 or other DS5000 storage expansion enclosures.

## Removing an LC-LC fibre-channel cable

Complete the following steps to remove an LC-LC fibre-channel cable:

**Attention:** To avoid damaging the LC-LC cable or SFP module, make sure that you observe the following precautions:

- Press and hold the lever to release the latches before you remove the cable from the SFP module.
  - Ensure that the levers are in the released position when you remove the cable.
  - Do not grasp the SFP module plastic tab when you remove the cable.
1. On the end of the LC-LC cable that connects into the SFP module or host bus adapter, press down and hold the lever to release the latches, as shown in Figure 23.

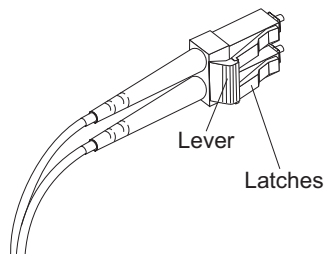


Figure 23. LC-LC fibre-channel cable lever and latches

2. Carefully pull on the connector to remove the cable from the SFP module, as shown in Figure 24 on page 40.

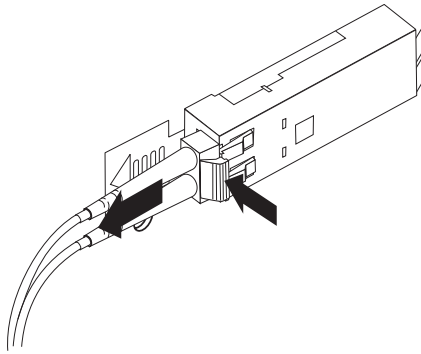


Figure 24. Removing the LC-LC fibre-channel cable

3. Replace the protective caps on the cable ends.
4. Replace the protective cap on the SFP module.

---

## Cabling rules and recommendations

Refer to these general rules and recommendations when completing the cabling steps in “Cabling the EXP520 to a storage subsystem” on page 41.

- Do not connect a combination of more than seven EXP520 storage expansion enclosures to the two ports of a dual-ported drive channel. Failure to observe this limitation might result in loss of data availability.
- Do not connect more than four EXP520 storage expansion enclosures to *each* port of a dual-ported drive channel.
- It is recommended that you add storage expansion enclosures to the DS5000 drive ports in a round-robin fashion. For example, if you have two EXP520s to be cabled to the DS5020, instead of cabling both EXP520s to one drive port of a drive channel, distribute the enclosures to all drive ports, which results in one enclosure per drive port of a drive channel. See Figure 25 on page 41 for an illustration.
- The controller drive ports of the DS5020 storage subsystem controllers must always be connected to the ports labeled 1B in both right and left ESMs of the EXP520s in the redundant drive channel/loop pair that is connected to the DS5000 storage subsystem. (Figure 28 on page 44 shows the location of the ports.)
- Refer to the *IBM System Storage DS5020 Hard Drive and Storage Expansion Enclosure Installation and Migration Guide* and the *IBM System Storage Subsystem Installation, User's, and Maintenance Guide* of your particular DS5000 storage subsystem for any special cabling requirements.

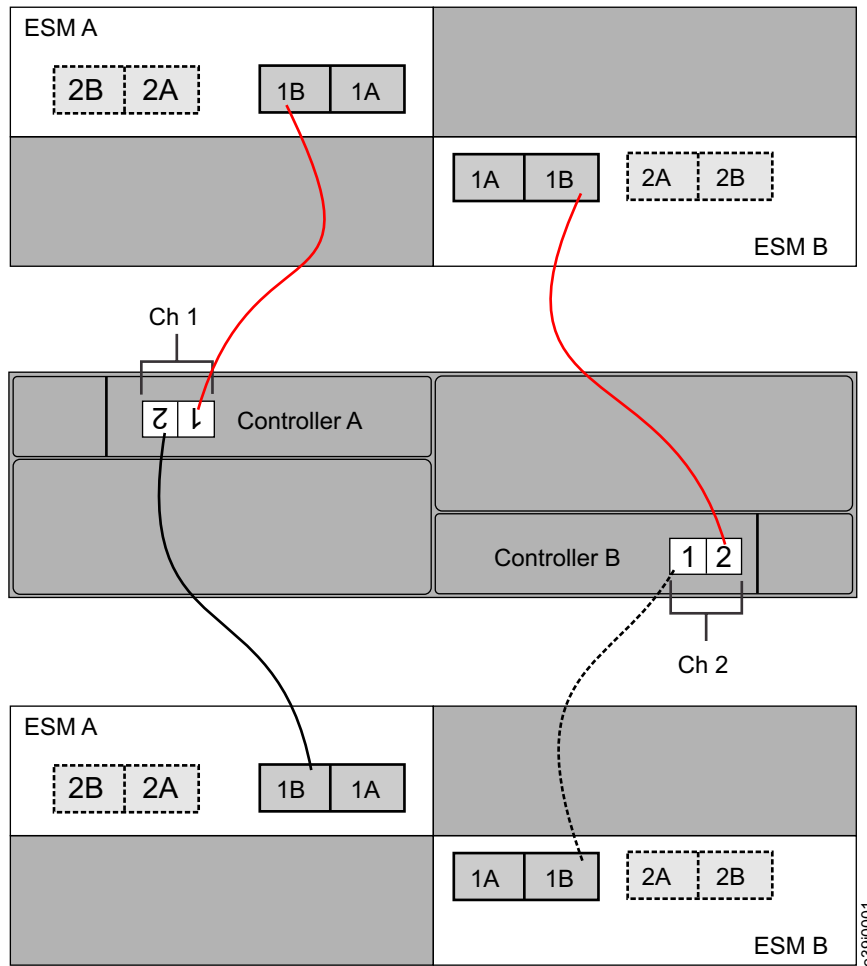


Figure 25. Round-robin cabling to the EXP520

## Cabling the EXP520 to a storage subsystem

In this release, you can cable the EXP520 storage expansion enclosure to a DS5020 storage subsystem only.

**Note:** Connections to other storage subsystems might be supported in the future. To verify your storage subsystems compatibility with the EXP520, check the Installation, User's, and Maintenance Guide for your storage subsystem and the IBM DS5000 storage system support Web site:

[www.ibm.com/servers/storage/support/disk/](http://www.ibm.com/servers/storage/support/disk/)

For cabling topologies and specific cabling schemes for the EXP520 and the DS5020 storage subsystem, see the *IBM System Storage DS5020 Storage Subsystems Installation, User's, and Maintenance Guide*.

Complete the following steps to cable the EXP520 to a supported DS5020 storage subsystem:

1. Install an SFP module in the drive mini hub port on the back of a DS5020 Storage Subsystem.

2. Connect an LC-LC fibre-optic cable into the SFP module, as shown in Figure 26.

**Note:** Figure 26 shows a DS5020 Storage Subsystem. The DS5020 Storage Subsystem is shown for illustrative purposes only.

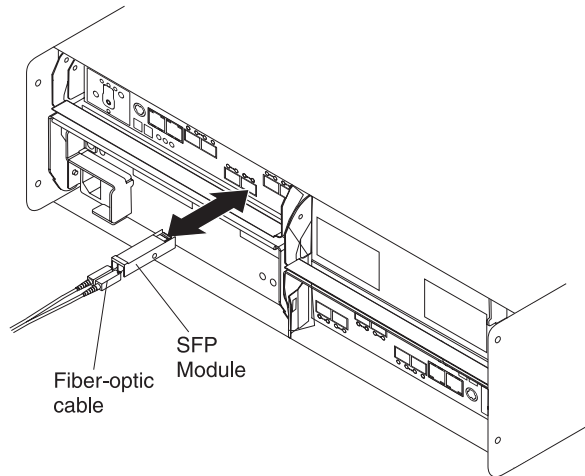


Figure 26. Installing an SFP module and LC-LC cable in a supported DS5020 storage subsystem

3. Install an SFP module in the SFP port on the back of the EXP520; then, connect the other end of the LC-LC cable into the SFP module, as shown in Figure 27.

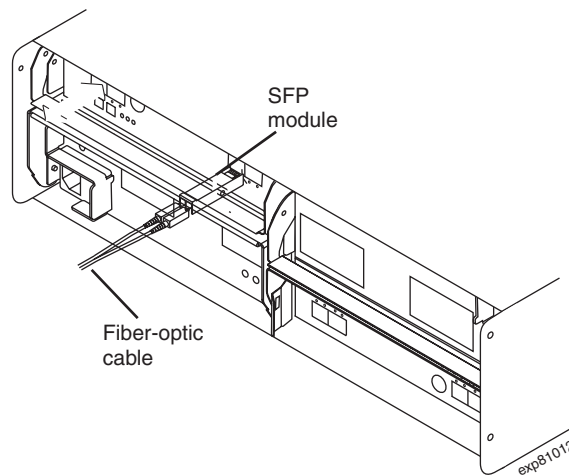


Figure 27. Installing an SFP module and connecting an LC-LC cable to the EXP520

### Configuring the DS5020

The EXP520 (1814-52A) is the expansion unit specifically designed for the DS5020 and is the only expansion unit supported behind the DS5020 with the exception noted below. This is a critical requirement due to the following:

- Only the EXP520 will be supported with future enhancements of the DS5020 such as disk encryption and solid stated disks.
- Only the EXP520 will provide clients consistent warranty and support terms and conditions (including geo-specific, SSR installation and support for the entire system, and code upgrades within the initial warranty period).

The *only* exception is that for client investment protection, existing EXP810s can be migrated from currently installed DS4700s or DS4800s to attach to the DS5020. A purchase option is required for support of all migration configurations. With approved migration of EXP810s to a DS5020, special consideration needs to be made as to proper firmware levels, and careful coordination of differences in warranty and maintenance terms that will affect your customer.

Purchase of new EXP810s to attach to the DS5020 will not be supported or configurable in eConfig.

**Note:** Disk drive modules that can be ordered in bulk or individually as customer installable parts for the EXP810 are not supported for use in the EXP520. Only disk drive modules ordered as feature codes of 1814-52A, and delivered pre-installed in the EXP520, or as SSR-installable upgrades to EXP520s will be supported.

---

## EXP520 loop redundancy

**Note:** The term *drive loop* or *drive loop pair* used in this publication might be referred to as a *drive channel* or *drive channel pair* when referring to a DS5000 Storage Subsystem in the *DS5100 and DS5300 Storage Subsystem Installation, User's and Maintenance Guide* and other DS5000 Storage Subsystem publications. The terms have identical meanings.

The EXP520 provides redundant loop support when the second ESM is configured, and when both loops (called A and B) are connected to a DS5000 that supports redundant loops. If a cable or SFP module fails on drive loop A, drive loop B provides redundancy, which is an alternate path to your disk drives.

### Example of a correct redundant drive loop

Figure 28 on page 44 shows a redundant drive loop that you might create with a DS5020 storage subsystem and two EXP520s. The numbers provided in Figure 28 on page 44 show the order in which cables should be attached. Note that the controller port is connected to the port labeled 1B on both the right and left ESMs.

**Note:** For specific information about cabling a storage expansion enclosure to a DS5020 storage subsystem, see the *DS5020 Installation, User's, and Maintenance Guide*.

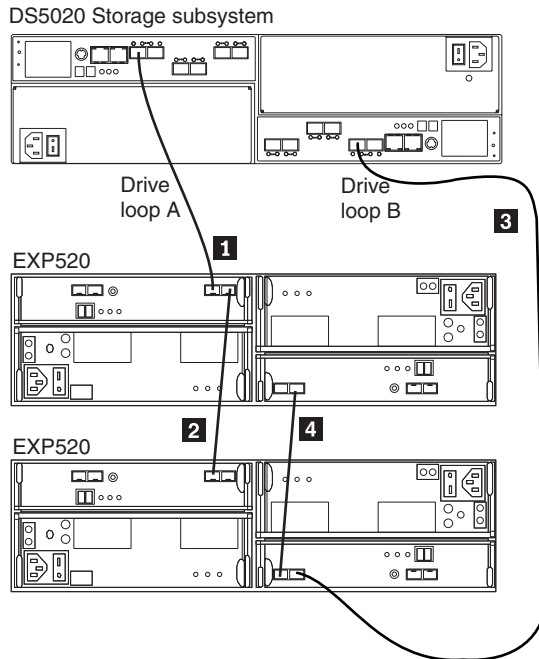


Figure 28. Correct EXP520 redundant drive loop configuration

To create drive loop A (of the DS5000 redundant drive loop) shown in Figure 28, you would perform the following steps:

1. Make a fibre-channel connection from the *DS5000 Storage Subsystem* to port 1B of the *first storage expansion enclosure* (connection **1**).
2. Make a fibre-channel connection from port 1A of the *first storage expansion enclosure* to port 1B of the *second storage expansion enclosure* (connection **2**).

To create drive loop B (of the DS5000 redundant drive loop) shown in Figure 28, you would perform the following steps:

1. Make a fibre-channel connection from the *DS5000 Storage Subsystem* to port 1B of the *second storage expansion enclosure* (connection **3**).
2. Make a fibre-channel connection from port 1A of the *second storage expansion enclosure* to port 1B of the *first storage expansion enclosure* (connection **4**).

## Cabling the power supply

Complete the following steps to connect the power supply cable:

1. Using the supplied strap, tie the power supply cord to the rail to provide strain relief for the power cord.
2. Connect the power cable to the power supply.
3. Continue with “Powering on the EXP520” on page 47 for the initial startup of the storage expansion enclosure.

---

## Chapter 4. Operating the EXP520

This chapter describes operating procedures for the storage expansion enclosure.

To ensure optimal operation of your system, see “Best practices guidelines” on page 12.

---

### Performing the EXP520 Health Check process

The DS5000 Health Check process is a sequence of suggested actions developed by IBM to help users verify and maintain the optimal performance of their DS5000 storage configurations. The information that you collect in these steps also helps provide IBM Service with important information needed for problem troubleshooting during IBM Service calls.

Perform the following health check tasks after the initial configuration of your DS5000 Storage Subsystem, and after all configuration sessions. It is also recommended that you set a regular schedule of periodic health check evaluations in order to keep your DS5000 code current and to preserve optimal data access and performance.

1. Monitor the Recovery Guru in the DS Storage Manager client for any obvious storage subsystem errors or problem conditions.
2. Gather and save the following DS5000 storage subsystem event logs for review by IBM Service. These event logs should be gathered periodically for regular health check monitoring regardless of the state of the Recovery Guru. (You can collect all these logs at once and zip them into a single file by clicking **Advanced ► Troubleshooting ► Collect All Support Data** in the DS Storage Manager Subsystem Management window.)
  - DS5000 storage subsystem management event log (MEL)
  - Storage Subsystem Profile or DS5000 Profile
  - Read-Link Status (RLS) data

In addition, you should also collect event logs for the host servers that have mapped logical drives from the storage subsystem.

**Attention:** Save these event log files to a server disk that will remain accessible in the event of a DS5000 storage configuration failure. Do not save these event log files only to a LUN in the DS5000 Storage Subsystem.

3. Use the Storage Subsystem Profile or DS5000 Profile to verify that the following firmware levels are at the latest versions supported for your DS5000 Storage Subsystem:
  - Controller firmware
  - ESM firmware
  - Drive firmware

If you discover your firmware is not up-to-date, upgrade the firmware and software to the latest level appropriate to your DS5000 storage configuration. See “Web pages” on page 46 for information about where to find the latest firmware and software.

**Attention:** You must resolve Recovery Guru errors or problems before upgrading firmware.

Save the storage subsystem profile before performing any controller or ESM firmware upgrades. Save the storage subsystem profile and all \*.cfg files to a server disk that will remain accessible in the event of a DS5000 storage configuration failure.

**Note:** When you upgrade firmware, you must upgrade all client package components to the same release level. For example, if you are upgrading your controller firmware from version 5.x to version 6.x, you must also upgrade your DS Storage Manager client to version 9.x or higher. If your host system uses RDAC, upgrading controller firmware from version 5.x to version 6.x might also require host software updates, such as RDAC updates and HBA driver updates. Refer to the IBM DS5000 Web site for detailed instructions.

4. Use the Storage Subsystem Profile or DS5000 Profile to verify that the following functions are enabled:
  - For all DS5000 models, Media Scan should be enabled both at the controller level and at the LUN level.
  - For all DS5000 models, the read/write cache should be enabled. In addition, use the Storage Subsystem Profile to verify that cache is matched between the controllers.

## Web pages

IBM maintains pages on the World Wide Web where you can get the latest technical information and download device drivers and updates.

For DS5000 information, go to the following Web site:

[www.ibm.com/servers/storage/support/disk/](http://www.ibm.com/servers/storage/support/disk/)

For the latest information about operating system and HBA support, clustering support, SAN fabric support, and DS Storage Manager feature support, see the System Storage DS5000 System Storage Interoperation Center at the following Web site:

[www.ibm.com/systems/support/storage/config/ssic/index.jsp](http://www.ibm.com/systems/support/storage/config/ssic/index.jsp)

## Hardware responsibilities

In addition to the Health Check steps described above, regular hardware inspection and maintenance helps to support the optimal performance of your DS5000 storage configuration. You should periodically inspect the fibre channel components of your DS5000 storage configuration.

IBM suggests you follow these guidelines:

- Maintain an up-to-date storage subsystem profile for your DS5000 storage configuration. Save the profile to a server disk that will remain accessible in case of a DS5000 storage configuration failure. Do not save the profile only to a LUN in the DS5000 Storage Subsystem.
- Develop a Change Management plan. The plan should include schedules for updating subsystem firmware and server host software.

**Note:** Some updates might require storage subsystem downtime.

- Use IBM-approved fibre channel cables for all situations. Note in your configuration documentation whether any cables are not IBM-approved.



- Create and maintain a cabling diagram of the current SAN configuration. Keep this diagram updated as you make configuration changes, and keep the cabling diagram available for review.
- Create and maintain a list of other components that are being used within the cabling diagram (such as the host system, fibre channel switches, and other SAN attachments).
- Ensure that all ESMs are properly seated.
- Ensure that all drives are properly seated.
- Ensure that all SFP modules are properly seated.
- Confirm fibre channel cable loop size. (IBM specifications call for at least 3-inch cable loops, but it is recommended that you use 6-inch cable loops or longer.)
- Ensure proper fibre channel cable management.
- Ensure proper air flow and temperature for all components in your EXP520 storage configuration.

**Note:** You can find details on many of these inspection and maintenance responsibilities in the appropriate sections of this document.

In addition to these inspection and maintenance responsibilities, IBM also strongly recommends DS5000 training for staff that supports DS5000 storage configurations. Although training is not a part of the Health Check process, DS5000 training reduces the potential for configuration problems and contributes to the overall health of the system.

---

## Powering on the EXP520

When you turn on and turn off the EXP520, be sure to use the startup sequence in this section.

**Attention:** *Before* you first power on the DS5000 storage subsystem with a newly installed EXP520, you *must* perform the DS5000 controller firmware upgrade described in “Firmware updates” on page 49. In addition, you might have to regenerate the premium feature key files to re-enable the premium feature key that is enabled from the factory after the controller firmware upgrade.

## Turning on the EXP520

This section contains instructions for turning the EXP520 on and off under normal and emergency situations.

The following procedure covers two situations:

- The entire storage subsystem has been shut down. (The main circuit breakers for the cabinet are off.)
- Some storage expansion enclosures are being powered on while others remain online. (The main circuit breakers for the cabinet are on.) You might encounter this if you are adding an additional storage expansion enclosure to increase storage capacity.

**Attention:**

1. **Potential damage to E-DDMs** - Repeatedly turning the power off and on without waiting for the E-DDMs to spin down can damage them. Always wait at least 70 seconds from when you turn off the power until you turn it on again.
2. If you are connecting a power cord to a storage expansion enclosure, turn off both of its power switches first. If the main circuit breaker is off, be sure both power switches are off on each storage expansion enclosure in the cabinet before turning on the main circuit breakers.

To turn the EXP520 on and off complete the following steps:

1. Are the main circuit breakers turned on?
  - **Yes** - Turn off *both* power switches on each storage expansion enclosure that you intend to connect to the power.
  - **No** - Turn off *both* power switches on **all** storage expansion enclosures in the storage subsystem.
2. Connect the power cords to the power supplies on each storage expansion enclosure.
3. If the main circuit breakers are turned off, turn them on.
4. Verify that the link rate setting on the front of the storage expansion enclosure matches the speed of the drives in the subsystem.

**Attention:** You must turn on power to each attached storage expansion enclosure before turning on power to the storage subsystem to ensure that the controllers complete the startup process. If the controllers do not find any drives present during the initial power on sequence, the storage subsystem will not complete the startup process. This will prevent controllers from communicating with each other, and any factory-installed premium features will not be activated correctly.

5. Turn on both power switches on each storage expansion enclosure attached to the storage subsystem. While each storage expansion enclosure powers up, the green and amber LEDs on the front and back of the storage expansion enclosure turn on and off intermittently. Depending on your configuration, it can take several minutes for each storage expansion enclosure to power on.

Check the LEDs on the front and back of all the storage expansion enclosures. Verify that no Needs Attention or enclosure ID LEDs light on any of the storage expansion enclosures are on. To verify the fibre channel connections between the drive expansion enclosures, make sure that no Port Bypass LEDs for connections to other storage expansion enclosures are lit. Only the Port Bypass LED of the ESM port that connects directly to the storage subsystem drive port should be lit.

6. Turn on the power switch on the back of the DS5000 storage subsystem. See Figure 3 on page 7 for location of the power switch.

Depending on the number of storage expansion enclosures in the configuration, the storage subsystem might take several minutes to power on. The battery self-test might take an additional 15 minutes. The LEDs will flash intermittently until the storage subsystem powers up and completes the battery self-test. Before attempting any operations, wait at least five minutes for the storage subsystem to completely power on. A storage subsystem can take up to 10 minutes to power on and up to 15 minutes to complete its controller battery self-test. During this time, the indicator lights on the front and back of the module flash intermittently.

7. Determine the status of all storage subsystems and components in the configuration by completing the following steps:
  - a. Check all LEDs on each component in the storage expansion enclosures. Ensure that all the LEDs show normal status. For more information on LED status for storage expansion enclosures, see “Checking the LEDs” on page 51 or the Installation, User’s, and Maintenance Guide for your DS5000 storage expansion enclosure.
  - b. Check all LEDs on each component in the storage subsystem. Ensure that all the LEDs show normal status. For information about LED status, see “Solving problems” on page 93.
  - c. Open the DS Storage Manager Subsystem Management Window, and display the Physical View for the configuration.  
The status for each component will be either Optimal or Needs Attention.
  - d. Review the status of the configuration components shown in the Subsystem Management Window by selecting the appropriate component button for each storage subsystem.
8. Are the LEDs indicating normal operation, and is the status Optimal on all the configuration components?
  - Yes — End of procedure.
  - No — Go to step 9.
9. Diagnose and correct the fault by completing the following steps:
  - a. Run the DS Storage Manager Recovery Guru by selecting the **Recovery Guru** toolbar button in the Subsystem Management window.
  - b. Complete the recovery procedure.  
If the Recovery Guru directs you to replace a failed component, use the individual LEDs on the storage subsystem to locate the specific failed component. For troubleshooting procedures, see Chapter 6, “Hardware maintenance,” on page 93.
  - c. When the recovery procedure is completed, select **Recheck** in the Recovery Guru. This action reruns the Recovery Guru to ensure that the problem has been corrected.
  - d. If the problem persists, contact your IBM service representative.

---

## Firmware updates

**Attention:** Save the storage subsystem profile before performing any controller or ESM firmware upgrades. Save the DS5000 storage subsystem profile and all configuration (\*.cfg) files to a server disk that will remain accessible in the event of a DS5000 storage configuration failure. Do not save these files only to a LUN in the DS5000 Storage Subsystem.

To ensure the optimal operation of the DS5000 storage subsystem and its attached storage expansion enclosures, the storage expansion enclosure ESM firmware, the DS5000 controller firmware, the hard drive firmware, and the NVSRAM (for controllers only) must be up- to-date. Go to the following Web site to get the latest updates:

[www.ibm.com/servers/storage/support/disk/](http://www.ibm.com/servers/storage/support/disk/)

Refer to “Software and hardware compatibility and upgrades” on page 9 for software and hardware compatibility information and requirements.

Apply the necessary updates before configuring the storage subsystem arrays and logical drives. Subscribe to My Support for automatic notifications of firmware or DS Storage Manager software updates or any important information about your DS5000 subsystems (see “Receiving product updates and support notifications” on page 11).

**Attention:** Read the README file that is included in each firmware or DS Storage Manager software package for any limitations, subsystem firmware prerequisites, or download-sequence information. For example, the controller firmware code might require the storage expansion enclosure ESM firmware to be upgraded first to a particular version, or the controller firmware download might require the halting of I/Os to the DS5000's logical drives. Failure to observe the limitations, prerequisites, and dependencies in the README file might result in a loss of data access. See “Finding Storage Manager software, controller firmware, and README files” on page xxiii to learn how to access the DS5000 README files on the Web.

Unless the README file contains special requirements for the sequence in which you upgrade firmware, you should perform firmware upgrades in the following sequence:

1. Drive firmware
2. Controller NVSRAM
3. Controller firmware
4. ESM firmware for the storage expansion enclosures

---

## Finding controller, storage expansion enclosure, and drive information

You can view a Storage Subsystem Profile to find controller, enclosure, and drive information for the storage expansion enclosures and DS5000 storage subsystems to which it is attached. To view a Storage System Profile, perform the following steps:

1. Open the DS Storage Subsystem Management window from the DS Storage Manager Enterprise Management window.
2. Select **Storage Subsystem** → **View** → **Profile**.  
A Storage Subsystem Profile window opens.
3. Select the **Controllers** tab.
4. Scroll through the list to find Board ID, Submodel ID, Product ID, and Product revision for the DS5000 storage subsystem.
5. Select the Enclosures tab.
6. Scroll through the list to find the Product ID for supported storage expansion enclosures.
7. Select the **Drives** tab.
8. Scroll through the list to find the drive values such as Product ID.

---

## Troubleshooting the storage expansion enclosure

The DS Storage Manager is the best way to monitor the storage expansion enclosure, diagnose a problem, and recover from a hardware failure. You should run the DS Storage Manager continuously, and check the status of the storage array frequently.

Use the following procedure to check the status of and identify a problem with the storage expansion enclosure:

1. Open the Subsystem Management Window.
2. Select the component button for each storage expansion enclosure in this storage subsystem, and view the status of each of the components.  
The status for each component is either Optimal or Needs Attention.
3. Does any component have a Needs Attention status?
  - **Yes** - Go to step 4.
  - **No** - All components are Optimal. Go to step 6.
4. Select the **Recovery Guru** toolbar button. Perform the procedure in the Recovery Guru to correct the problem. The Recovery Guru might direct you to replace the failed component. If so, go to step 5.  
**Attention:** If the fault requires you to power off an attached storage expansion enclosure, you might need to cycle the power on the DS5000 storage subsystem and all remaining storage expansion enclosures in the storage subsystem. Contact IBM Customer and Technical Support before powering off any attached storage expansion enclosures.
5. Mute the alarm, if needed.
6. Check the indicator LEDs on the front and the back of the storage expansion enclosure.  
A green LED denotes a normal status; an amber LED denotes a hardware fault.
7. Is an amber LED on?
  - **Yes** - Locate and troubleshoot the failed components. See “Checking the LEDs.”
  - **No** - You are finished with this procedure. If you are still experiencing a problem with this storage subsystem, create, save, and print a storage subsystem profile. This information might be helpful when troubleshooting. Contact IBM Customer and Technical Support for assistance. When the recovery procedure is completed, select **Recheck** in the Recovery Guru to rerun the Recovery Guru and to ensure that the problem has been corrected.

---

## Checking the LEDs

The LEDs display the status of the storage expansion enclosure and components. Green LEDs indicate a normal operating status; amber LEDs (Needs Attention) indicate a possible failure; a blue LED indicates that it is safe to remove a component. The blue LED also indicates that the storage expansion enclosure is being identified or located.

It is important to check all the LEDs on the front and back of the storage expansion enclosure when you turn on the power. During power on, the indicator LEDs flash intermittently as the storage expansion enclosure and components complete the power-up process. In addition to checking for faults, you can use the LEDs on the front of the storage expansion enclosures to determine if the drives are responding to I/O transmissions from the host.

## The power supply and fan unit LEDs

This section describes the primary power supply and fan unit LEDs on the storage expansion enclosure.

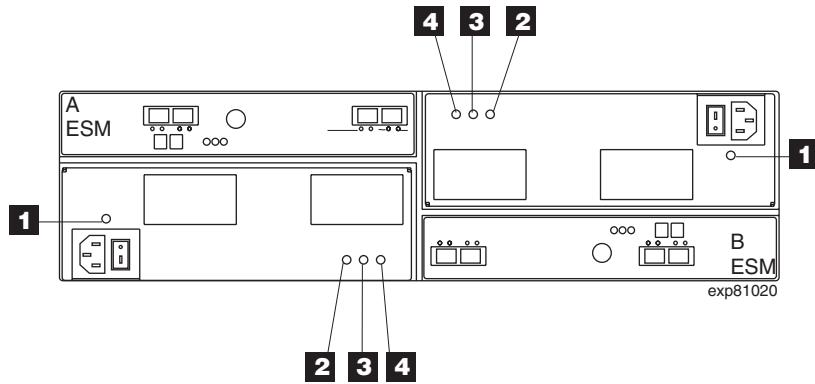
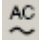





Figure 29. The power supply and fan unit LEDs

Table 16. The power supply and fan unit LEDs

Number	LED	Normal Status	Problem Status
1	Power supply and fan unit Power 	On	Off
2	Service Action Allowed (OK to Remove) 	Off	On
3	Service Action Required (Fault) 	Off	On
4	Direct Current Enabled 	On	Off

## Front LEDs

This section describes the primary LEDs and controls on the front of the storage expansion enclosure for all models. The front view shows the following components:

- Front Frame - Metal cage frame containing global indicator lights and a link rate switch.
- Drives - Up to 16 removable drives, which are numbered 1 through 16 from left to right. When a drive is installed, the drive and tray slot designation is set automatically. The hardware addresses are based on the enclosure ID setting on the ESM and on the drive's physical location in the storage expansion enclosure.

**Note:** The drives in your storage expansion enclosure might differ slightly in appearance from those shown. The variation does not affect the function of the drives.

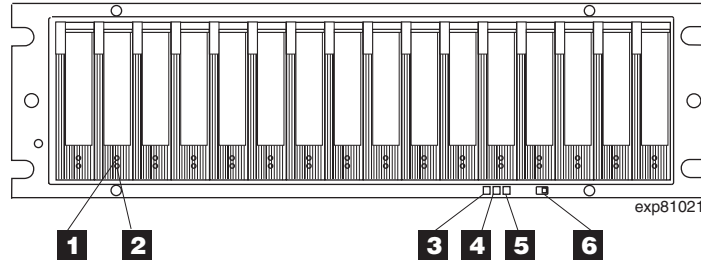





Figure 30. Front LEDs

Table 17. Front LEDs and controls

Number	LED	Normal Status	Problem Status
1	Drive Activity LED	On (not flashing) - No data is being processed Flashing - data is being processed	Off
2	Drive Fault LED	Off Flashing - Drive, volume, or storage subsystem locate function	On (not flashing) <b>Note:</b> In certain ESM firmware versions, the Drive Fault LED is lit when no drive is inserted in the drive slot.
3	Global Locate 	On	N/A
4	Global Summary Fault 	Off	On
5	Global Power 	On	Off
6	Link Rate Switch	The Link Rate switch should be set to 4 Gbps, depending on your configuration.	N/A

## Rear LEDs

This section describes the primary LEDs, controls, and connectors on the rear of the storage expansion enclosure for all models. The back view shows the following components:

- Fans and power supplies - Two removable power supply and fan unit FRUs, each containing one power supply and two fans
- ESMs - Two removable environmental services monitors (ESMs)

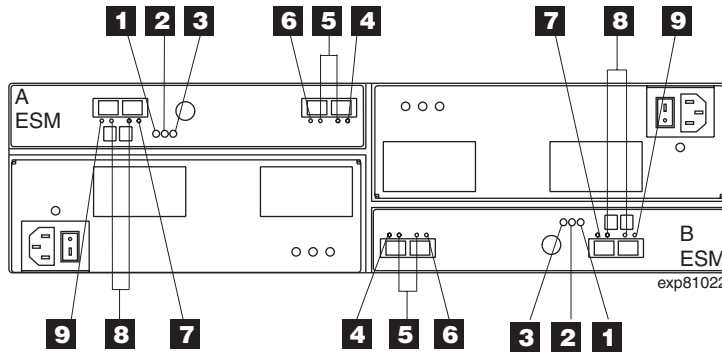





Figure 31. Rear LEDs, controls, and connectors

Table 18. Rear LEDs, controls, and connectors

Number	LED	Normal Status	Problem Status
1	ESM Power 	On	Off
2	ESM Fault 	Off	On
3	ESM Service Action Allowed (OK to Remove) 	Off	On
4	ESM Port 1 In Bypass (This port is labeled 1A)	Off - Cable connected On - No cable connected	On, when a fibre channel cable is connected
5	ESM Ports 1 & 2 2 or 4 Gbps Data Rate	One LED is lit if 2 Gbps Both LEDs are lit if 4 Gbps	N/A
6	ESM Port 2 In Bypass (This port is labeled 1B)	Off - Cable connected On - No cable connected	On, when a fibre channel cable is connected
7	ESM Port 3 In Bypass (This port is labeled 2A)	This port is reserved for future use	On, flashing for 30 seconds
8	ESM Ports 3 & 4 2 or 4 Gbps data rate	One LED is lit if 2 Gbps Both LEDs are lit if 4 Gbps	N/A
9	ESM Port 4 In Bypass (This port is labeled 2B)	This port is reserved for future use.	On, flashing for 30 seconds

## Seven-segment numeric display

The numeric display consists of two seven-segment LEDs that provide information about enclosure identification and diagnostics. Figure 32 on page 55 shows the numeric display and the diagnostic LED.



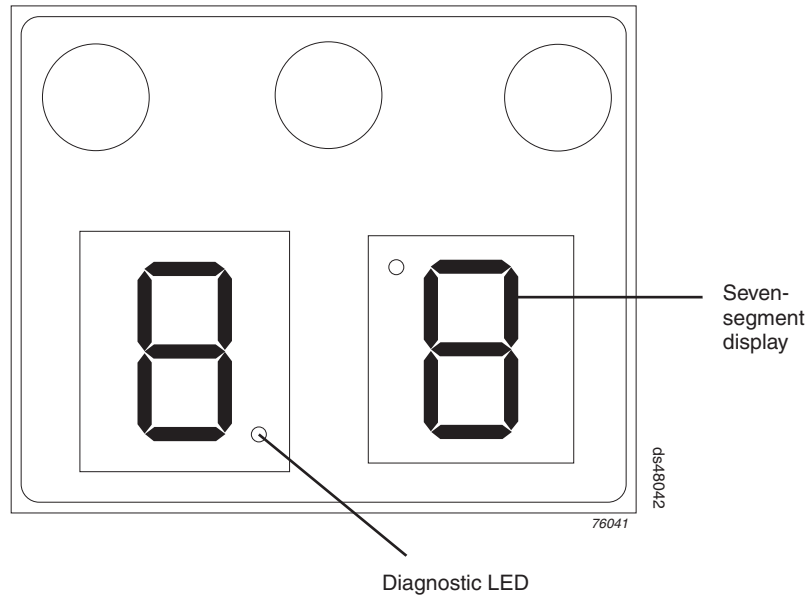


Figure 32. Numeric display LEDs

When you power on the storage expansion enclosures, the seven-segment LEDs show 88 before the boot firmware starts to run. After the boot code starts, - - is displayed.

When the application code starts, the ESMs display either aa or bb depending on whether it is ESM A or B.

When the storage expansion enclosure is operating normally, the numeric display shows the enclosure identification (enclosure ID) of the storage expansion enclosure.

If an error has occurred and the Needs Attention LED is on, the numeric display shows diagnostic information. The numeric display indicates the information is diagnostic by illuminating an LED that appears as a decimal point between the display numbers. The diagnostic LED turns off when the numeric display shows the storage subsystem enclosure ID. The numeric display shows various diagnostic codes as the enclosures perform the startup process after each power cycle or reset. After diagnostics are complete, the current storage subsystem enclosure ID is displayed.

Diagnostic codes in the form of Lx or Hx, where x is a hexadecimal digit, indicate storage expansion enclosure state information. In general, these codes are displayed only when the storage expansion enclosure is in a non-operational state. The storage expansion enclosure might be non-operational due to a configuration problem (such as mismatched types), or it might be non-operational due to hardware faults. If the storage expansion enclosure is non-operational due to system configuration, the storage expansion enclosure Needs Attention LED is off. If the storage expansion enclosure is non-operational due to a hardware fault, the storage expansion enclosure Needs Attention LED is on. The definitions for Lx diagnostic codes are listed in Table 19 on page 56.

Table 19. Numeric display diagnostic codes

Value	Storage Expansion Enclosure State	Description	SANtricity View
--	Booting	ESM Boot Firmware is booting up	
88	Reset	ESM is held in reset by the other ESMs	
AA	Booting	ESM-A application firmware is booting up	
bb	Booting	ESM-B application firmware is booting up	
FF	Suspend	ESM Boot Diagnostic is running	
L0	Suspend	Mismatched ESM types	Needs Attention condition for board type mismatch
L2	Suspend	Persistent memory errors	Needs Attention condition for offline ESM
L3	Suspend	Persistent hardware errors	Needs Attention condition for offline ESM
L9	Suspend	Over temperature	
H0	Suspend	SOC Fibre Channel Interface Failure	
H1	Suspend	SFP Speed Mismatch	
H2	Suspend	Invalid/Incomplete Configuration	Needs Attention condition for offline ESM
H3	Suspend	Maximum Reboot Attempts Exceeded	Needs Attention condition for offline ESM
H4	Suspend	Cannot Communicate with other ESM	Needs Attention condition for offline ESM
H5	Suspend	Midplane Harness Failure	Needs Attention condition for offline ESM
H6	Suspend	Firmware Failure	Needs Attention condition for offline ESM
H7	Operational	Current enclosure Fibre Channel rate is different than the rate switch setting. Power cycle required for new rate to take effect	Needs Attention condition for Fibre Channel rate that is different than the enclosure data rate setting
H8	Suspend	SFP(s) Present in Currently Unsupported Slot	

Table 19. Numeric display diagnostic codes (continued)

Value	Storage Expansion Enclosure State	Description	SANtricity View
H9	Operational, but in a degraded mode	Non-catastrophic hardware failure	
J0		ESM module is incompatible with the enclosure. ESM is probably running the wrong firmware. As a corrective action, replace the ESM with a spare ESM having the correct firmware.	

## Powering off the storage expansion enclosure

The storage expansion enclosure is designed to run continuously. After you turn it on, do not turn it off. Turn off the power only in the following situations:

- Instructions in a hardware or software procedure require that you turn off the power.
- An IBM technical support representative instructs you to turn off the power.
- A power outage or emergency situation occurs, see “Restoring power after an unexpected shutdown” on page 60.

## Turning off the EXP520

Use the following procedure to turn off the power for the EXP520.

**Attention:** Except in an emergency, never turn off the power if any Needs Attention LEDs are on. Correct the fault before you turn off the power. Use the DS Storage Manager client and the Needs Attention LEDs to check the overall status of the EXP520. All LEDs should be green on the front of the storage expansion enclosure. If they are not, use the DS Storage Manager client to diagnose the problem. This ensures that the EXP520 will power on correctly later.

The EXP520 is designed to run continuously. After you turn on the EXP520, do not turn it off. Turn off the power only in the following situations:

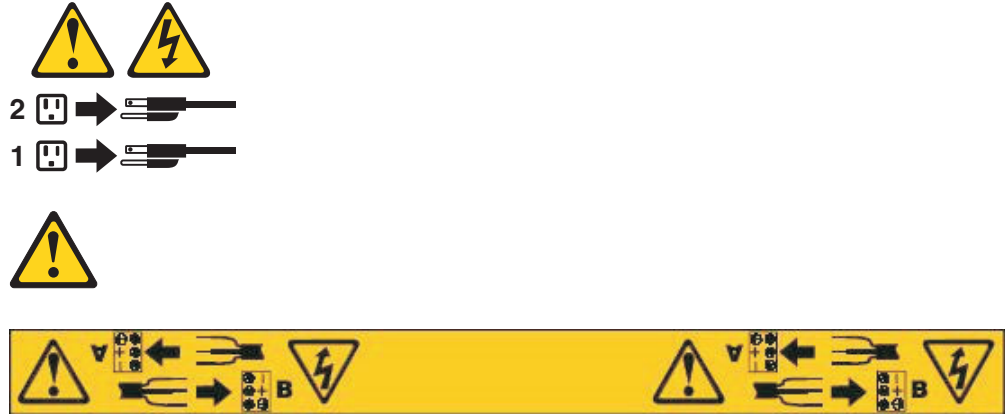
- Instructions in a hardware or software procedure require that you turn off the power.
- An IBM technical support representative instructs you to turn off the power.
- A power outage or emergency situation occurs, see “Restoring power after an unexpected shutdown” on page 60.

### Statement 5:



**CAUTION:**

The power control button on the device and the power switch on the power supply do not turn off the electrical current supplied to the device. The device also might have more than one power cord. To remove all electrical current from the device, ensure that all power cords are disconnected from the power source.



**Attention:** Turning off and turning on power without waiting for the storage expansion enclosure disk drives to spin down can damage the drives and might cause data loss. Always wait at least 70 seconds from when you turn off the power until you turn on the power again.

**Power-off overview**

Review the following information before you continue with the power-off procedure below.

Turn off the power to each device based on the following shutdown sequence:

1. Turn off power to the host before the storage subsystem. If the host must stay powered on to support an existing network, see the operating system documentation for information about disconnecting the storage subsystem logical drives from the host before the storage subsystem is powered off.
2. Turn off power to the storage subsystem before you turn off power to the storage expansion enclosures. Turn off both power supply switches on the back of the storage subsystem.
3. Turn off power to other supporting devices (for example, management stations, fibre-channel switches, or Ethernet switches).

**Note:** You do not need to perform this step if you are servicing only the storage subsystem.

Use the following procedure to turn off power to one or more storage expansion enclosures for a planned shutdown. To turn off power for an unplanned shutdown, see “Restoring power after an unexpected shutdown” on page 60.

Before proceeding, use the DS Storage Manager client to determine the status of the system components and special instructions. The operating system software might require you to perform other procedures before you turn off the power. To turn off the EXP520, complete the following steps:

1. Stop all I/O activity to each storage expansion enclosure.
2. Remove the front cover from the storage expansion enclosure, if applicable.

3. Determine the status of all storage expansion enclosures and components in the configuration by completing the following steps:
  - a. Check all LEDs on each component in the storage expansion enclosures. Ensure that all the LEDs show normal status.
  - b. Check all LEDs on each component in the storage subsystem. Ensure that all the LEDs show normal status.
  - c. Open the Subsystem Management window for the configuration and display the Physical View for the configuration.
  - d. Review the status of the configuration components shown in the Subsystem Management window by selecting the appropriate component button for each storage subsystem.

The status for each component will be either Optimal or Needs Attention.

4. Are the LEDs indicating normal operation, and is the status Optimal on all configuration components?
  - **Yes** - Go to step 6.
  - **No** - Go to step 5.
5. To diagnose and correct the fault, complete the following steps:
  - a. Run the Recovery Guru by selecting the **Recovery Guru** toolbar button in the Subsystem Management window.
  - b. Complete the recovery procedure.

If the Recovery Guru directs you to replace a failed component, use the individual LEDs to locate the failed component.
  - c. When the recovery procedure is completed, select **Recheck** in the Recovery Guru. This action reruns the Recovery Guru to ensure that the problem has been fixed.
  - d. If the problem has not been fixed, contact your IBM service representative. Do not turn off power until all problems are corrected.
6. Check the Cache Active LED, and verify that it is off.

If the Cache Active LED is on steady, the cache contains data. Wait for the data to clear from cache memory before turning off the power.
7. Check the LEDs on the storage expansion enclosures to verify that all Drive Active LEDs are on steady (not flashing).

If one or more LEDs are flashing, data is being written to or from the drives. Wait for all active LEDs to stop flashing.
8. Turn off the power switch on the back of each controller in the storage subsystem.

**Note:** Until the power switch on each controller is turned off, power still remains turned on for both the controllers; therefore, the seven-segment display on each controller stays on until the power switch on each controller is turned off.

9. Turn off both power switches on the back of each storage expansion enclosure in the configuration.

**CAUTION:**

**The power switch on the power-supply and fan unit does not turn off the electrical current supplied to the device. The EXP520 might also have more than one connection to power. To remove all electrical current from the device, ensure that all power cords are disconnected from the power-supply and fan unit input connectors.**

10. Remove (unplug) all of the power cords from the EXP520 power supply connectors.
11. After you perform the necessary maintenance procedures, turn on the power using the procedure in “Turning on the EXP520” on page 47.

## Performing an emergency shutdown

**Attention:** Emergency situations might include fire, flood, extreme weather conditions, or other hazardous circumstances. If a power outage or emergency situation occurs, always turn off all power switches on all computing equipment. This helps to safeguard your equipment from potential damage due to electrical surges when power is restored. If the EXP520 loses power unexpectedly, it might be due to a hardware failure in the power system or in the midplane of the EXP520.

Complete the following steps to shut down the system during an emergency:

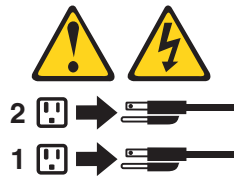
1. If you have time, stop all I/O activity to the storage expansion enclosure.
2. Check the LEDs. Make note of any Needs Attention LEDs that are on so you can correct the problem when you turn on the power again.
3. Turn off all power supply switches, starting with the DS5000 storage subsystem first, and followed by the storage expansion enclosures. Then, unplug the power cables from the EXP520.

### Statement 5:



### CAUTION:

The power control button on the device and the power switch on the power supply do not turn off the electrical current supplied to the device. The device also might have more than one power cord. To remove all electrical current from the device, ensure that all power cords are disconnected from the power source.



## Restoring power after an unexpected shutdown

Complete the following steps to restart the EXP520 if you turned off the power supply switches during an emergency shutdown, or if a power failure or power outage occurred:

1. After the emergency situation is over or power is restored, check the EXP520 for damage. If there is no visible damage, continue with step 2. Otherwise, have your system serviced.
2. After you check the EXP520 for damage, ensure that the power switches are in the off position; then plug in the EXP520 power cables, if required.
3. Check the system documentation of the hardware devices that you want to turn on and determine the proper startup sequence.

**Note:** Be sure to turn on all of the storage expansion enclosures and verify that there are no ESM or power supply and fan unit fault LEDs lit before you turn on the DS5000 storage subsystem.

In addition, consider the following items:

- The storage subsystem supports simultaneous power-up of the system components; however, you should always follow the power-up sequence listed in the “Turning on the storage subsystem section” of the appropriate *DS5000 Storage Subsystem Installation, User's, and Maintenance Guide* during any attended power-up procedure.
  - A storage subsystem in an optimal state should recover automatically from an unexpected shutdown and unattended simultaneous restoration of power to system components. After power is restored, contact IBM technical support if any of the following conditions occur:
    - The storage subsystem logical drives and subsystems do not display in the DS Storage Manager graphical user interface (GUI).
    - The storage subsystem logical drives and subsystems do not come online.
    - The storage subsystem logical drives and subsystems seem to be degraded.
4. Turn on the power to each device, based on the startup sequence.

**Note:** All of the EXP520 storage expansion enclosures must be powered on before the DS5000 storage subsystem.

5. The green LEDs on the front and the back of the EXP520 and DS5000 storage subsystem should remain lit. If other amber Fault LEDs light, see “Solving problems” on page 93.

---

## Recovering from an overheated power supply and fan unit

Each EXP520 storage expansion enclosure contains two power supply and fan units. Each power supply and fan unit contains a built-in temperature sensor designed to prevent it from overheating. Under normal operating conditions, with an ambient air temperature range of 5° - 40° C (41° - 104° F), the fans in the power supply and fan units maintain a proper operating temperature inside the module.

If the internal temperature reaches 65° C (149° F), the power supply shuts down automatically. If both power supplies shut down because of overheating, the module has no power, and all indicator lights are off.

The following factors can cause the power supplies to overheat:

- An unusually high room temperature
- Fan failures in the power supply and fan units
- Defective circuitry in the power supply
- Blocked air vents
- Failures in other devices in the configuration or cabinet

If a fan failure causes overheating or the operating environment becomes too hot (greater than 55° C), the Global Fault LED on the storage expansion enclosure turns on. The power supply and fan unit Fault and Service Action Allowed (SAA) LEDs on the back of the storage expansion enclosure also turn on. “Rear LEDs” on page 53 shows the location of these LEDs.

**Attention:** Because the power supply and fan unit FRU Fault and SAA LEDs are lit when the operating environment temperature is too hot (greater than 55° C), do not assume the power supply and fan unit FRU is bad. Take action to cool down the environment first. When the operating environment temperature is within the specified operating environment range, the power supply and fan unit Fault and SAA LEDs will be unlit if there are no problems with the power supply and fan unit FRU.

If the module temperature exceeds 45° C (113° F), the storage management software displays a Needs Attention icon in the Subsystem Management Window. If event monitoring is enabled, and event notification is configured, the software issues the following two critical problem notifications:

- If *one* power supply shuts down, the storage management software displays a Needs Attention status in the Subsystem Management window.
- If *both* power supplies shut down, the module shuts down, and the storage management software displays a Not Responding status in the Array Management window.

Use the following procedure to resume normal operation after a power supply shutdown.

**Attention: Risk of damage from overheating** - The power supplies automatically shut down when the air temperature inside the cabinet reaches 68° C (154° F). If the power supplies shut down, immediately remove all cabinet panels to help cool the cabinet air temperature and to prevent damage to the DS5000 storage subsystem configuration components.

1. Remove the front cover.
2. If applicable, mute the alarm.
3. Did you use the procedure “Troubleshooting the storage expansion enclosure” on page 50 to identify an overheating problem?
  - **Yes** - Go to step 4.
  - **No** - Perform the procedure “Troubleshooting the storage expansion enclosure” on page 50 to verify that the power supplies have shut down because of an overheating problem, and then go to step 4.
4. Stop I/O activity to all attached storage expansion enclosures.
5. Take all or some of the following measures to alleviate the overheating problem:
  - Remove all panels from the cabinet immediately.
  - Use external fans to cool the area.
  - Shut down the power to the storage expansion enclosure, using the procedure described in “Performing an emergency shutdown” on page 60.
6. Wait for the air temperature in and around the storage expansion enclosure to cool.

After the temperature inside the power supplies cools to below 65° C (149° F), the storage expansion enclosure is capable of power-up recovery without operator intervention. After the air has cooled, the power supplies should turn on automatically. If the power supplies restart automatically, the controllers will reset and return to normal operation.
7. Did the power supplies restart automatically?
  - **Yes** - Go to step 9 on page 63.
  - **No** - Go to step 8.
8. To cycle the power, turn off both power switches on the back of each storage expansion enclosure, wait two minutes, turn on both power switches.



While the storage expansion enclosure powers up, the LEDs on the front and the back of the module flash intermittently. Depending on your configuration, the storage expansion enclosure can take between 20 seconds and several minutes to power on.

9. Turn on both power switches on the back of the storage subsystem.

A storage subsystem can take 10 minutes to power on and up to 15 minutes for the battery self-test to complete. During this time, the LEDs on the front and the back of the modules flash intermittently.

10. Check the status of each storage expansion enclosure and its components.

- a. Note the status of the LEDs on the front and back of each module.

A green LED indicates a normal status; amber LEDs indicate a hardware fault.

- b. Open the Subsystem Management window for the storage array.

- c. Select the appropriate components button for each module in the Physical View of the Subsystem Management window to view the status of its components.

The status for each component is either Optimal or Needs Attention.

11. Does each module display green LEDs only, and is the status Optimal for each module component? If No, go to step 12.

12. Diagnose and correct the fault.

- a. To run the Recovery Guru, select the **Recovery Guru** toolbar button in the Subsystem Management window.

- b. Complete the recovery procedure.

If the Recovery Guru directs you to replace a failed component, locate and troubleshoot that component. See “Checking the LEDs” on page 51.

- c. When the procedure is completed, rerun the Recovery Guru to ensure that the problem has been corrected by selecting **Recheck** in the Recovery Guru.

- d. If the problem persists, contact IBM Customer and Technical Support.



---

## Chapter 5. Installing and replacing components

This chapter contains information about installing and replacing storage expansion enclosure FRUs.

**Attention:** Static electricity can damage electronic devices and your system. To avoid damage, keep static-sensitive devices in their static-protective packages until you are ready to install them. Before replacing components, see “Handling static-sensitive devices” on page 22.

---

### Service Action Allowed Status LED

Each ESM and power supply and fan unit has a blue Service Action Allowed status LED. The purpose of the Service Action Allowed status LED is to help ensure that a component is not removed before it is safe to do so. Do not remove any EXP520 component unless the component's Service Action Allowed status LED is lit.

Before you begin, ensure that you wear an anti-static wrist strap.

**Attention**

Never remove an ESM or power supply and fan unit unless the Service Action Allowed status LED is turned on. Doing so can result in a potential loss of data availability. If the Needs Attention LED is lit and the associated Service Action Allowed status LED is *not* lit, then you must perform additional diagnostics *before* you can remove the indicated component. Use the Recovery Guru instructions in the DS Storage Manager Subsystem Management window or refer to the appropriate component replacement instructions in this chapter for the additional diagnostics required in this case.

The Service Action Allowed status LED automatically turns on or off as conditions change. Wait at least two minutes after you replace each component for the controller to recognize the new component and update the LED status. In most cases when a single component fails, the Service Action Allowed status LED turns on steadily when the Needs Attention status LED is turned on for the component.

---

### Adding the EXP520 to an existing and configured redundant drive channel/loop pair

**Notes:**

1. The term *drive loop* or *drive loop pair* used in this publication might be referred to as a *drive channel* or *drive channel pair* when referring to a DS5100 or DS5300 Storage Subsystem in the *DS5100 and DS5300 Storage Subsystem Installation, User's and Maintenance Guide* and other DS5000 Storage Subsystem publications. The terms have identical meanings.
2. The EXP810 can be attached using the instructions in this section.

Before you begin, ensure that you wear an anti-static wrist strap.

**Attention:** The EXP520 storage expansion enclosure drive channel operates at 4 Gbps fibre channel interface speed. The EXP520 SATA E-DDM FRUs have an ATA translator card that converts E-DDM 3 Gbps SATA drive interface protocol to 4 Gbps fibre channel interface protocol. It is recommended that the EXP520 enclosure speed is set to 4 Gbps when these SATA E-DDM FRUs are installed and connected to storage expansion enclosures running at 4 Gbps speed. The Link Rate setting speed must be set accordingly. The enclosure speed of the DS5000 storage subsystem that the EXP520s are connected to must also be set to 4 Gbps.

**Attention**

Before you power on a DS5000 storage subsystem without any internal drive slots, the DS5000 must be cabled to at least one storage expansion enclosure populated with at least two E-DDMs. If at least two E-DDMs are not installed in each attached storage expansion enclosure when you power on the DS5000 storage subsystem, your standard storage partition key will be lost and will need to be regenerated using instructions on the IBM DS5000 Solutions and Premium Features Web site:

<https://www-912.ibm.com/PremiumFeatures/>

Additionally, if at least two E-DDMs are not installed in each attached storage expansion enclosure, the resulting insufficient load to the storage expansion enclosure power supply FRUs might cause the storage expansion enclosure power supply FRUs to intermittently appear as failed and then reappear in an optimal state, falsely indicating that the power supply FRUs are bad.

Figure 33 on page 67 shows an example of a DS5000 storage subsystem configured with redundant drive loop pairs.

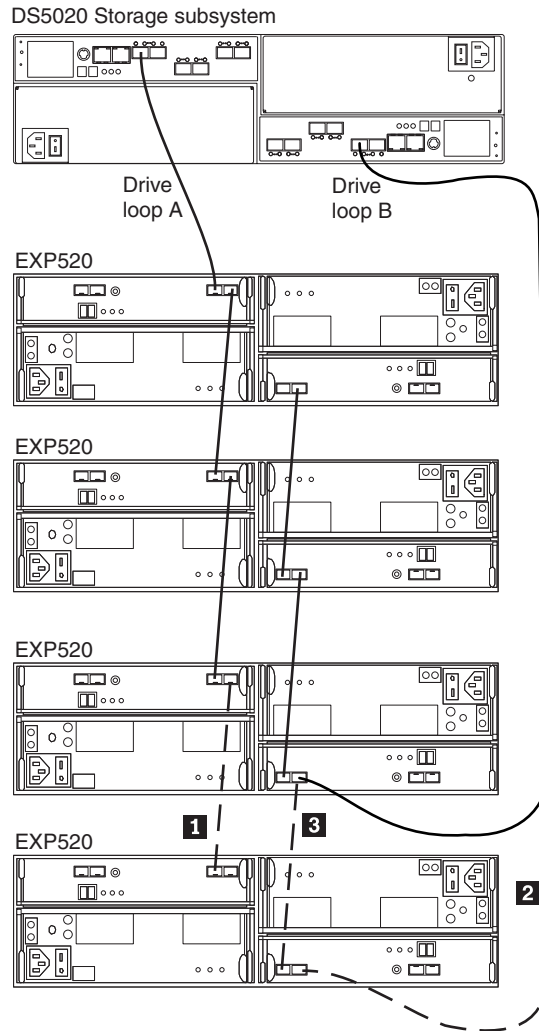


Figure 33. Cabling the EXP520 to an existing and configured drive loop

The dashed lines in Figure 33 show how to add a new EXP520 to an existing DS5000 configuration with EXP520s. To add the new EXP520 shown in Figure 33, perform the following steps:

1. Unpack and install the EXP520 drive expansion enclosure. Do not insert any drive FRUs into the enclosure drive slots.
2. Verify that the Link Rate speed is at the correct setting. You cannot add storage expansion enclosures with different Link Rate speed settings in the same redundant drive loop.
3. Power on the EXP520 storage expansion enclosure.
4. Make the fibre-channel connection marked **1** in Figure 33 (drive loop A) by connecting port 1A of the existing EXP520 to port 1B of the new EXP520 . Then verify that it is recognized by the DS Storage Manager software GUI.
5. Move the existing fibre-channel connection marked **2** in Figure 33 from the existing EXP520 enclosure ESM port 1B to the new EXP520 enclosure ESM port 1B.
6. Make the fibre-channel connection marked **3** in Figure 33 (drive loop B) by connecting port 1A of the new EXP520 to port 1B of the existing EXP520.

7. You can use either the Storage Subsystem Profile information or the Drive Enclosure Component icon in the Physical View of the Subsystem Management window to verify the EXP520 ESM firmware.

**Attention:** For error-free operation, the ESM firmware in the EXP520 ESM modules must be at the same level. If the ESM version does not match, wait at least 10 minutes for the ESM automatic code synchronization to occur. Otherwise, manually update the ESM firmware using the menu function in the DS5000 Subsystem Management window.

8. Insert the drives into the drive slots two at a time. Wait until the drives have spun up and been recognized by the DS5000 before inserting the next two drives from the Physical View of the Subsystem Management window.
9. Repeat step 1 on page 67 to step 8 for each storage expansion enclosure you want to add.

**Note:** Always add a new EXP520 to the *end* of a drive loop. Always add new drive expansion enclosures to the existing drive loop one at a time while the DS5000 storage subsystem is running and in an optimal state. See the *DS4000/DS5000 Hard Drive and Storage Expansion Enclosure Installation and Migration Guide* for more information.

---

## Working with hot-swap E-DDMs

This section explains how you can increase the storage expansion enclosure capacity by adding more E-DDMs or by replacing existing E-DDMs with ones that have a larger capacity.

Before you begin, complete the following tasks:

- Read the safety and handling guidelines in “Safety” on page xi and in “Handling static-sensitive devices” on page 22.
- Ensure that your current system configuration is working properly.
- Back up all important data before you make changes to data storage devices.
- Ensure that you wear an anti-static wrist strap.

Before you install or remove E-DDM FRUs, review the following information:

- **Blank trays:** A storage expansion enclosure without a full set of E-DDMs (16) contains blank trays in the unused drive bays. Before installing new E-DDMs, you must remove these empty trays. Save the empty trays for future use. Each of the 16 bays must always contain either a blank tray or a hot-swap E-DDM.

For proper cooling and EMC protection, do not leave a drive slot open without either a drive blank or a E-DDM FRU inserted.

- **E-DDM FRUs:**

- IBM recommends that when adding E-DDM FRUs, if you are not installing all 16 E-DDM FRUs into the EXP520, install the E-DDM FRUs from left to right consecutively.
- Use of non-supported drives in the storage expansion enclosures can cause the storage expansion enclosures to fail.
- After you remove an E-DDM FRU, wait 70 seconds before replacing or reseating it to allow it to properly spin down. Failure to do so may cause undesired events.
- When determining what E-DDM CRU to add, there are many factors to base your decision on in addition to the drive capacity. Here is a partial list of the factors that differentiate a drive:

- Drive capacity
- Drive interface (such as FC, SAS, or SATA)
- FDE capability
- Media options (such as SSD or spinning media)
- T10 PI support

**Attention**

Before you power on a DS5000 storage subsystem without any internal drive slots, the DS5000 must be cabled to at least one storage expansion enclosure populated with at least two E-DDMs. If at least two E-DDMs are not installed in each attached storage expansion enclosure when you power on the DS5000 storage subsystem, your standard storage partition key will be lost and will need to be regenerated using instructions on the IBM DS5000 Solutions and Premium Features Web site:

<https://www-912.ibm.com/PremiumFeatures/>

Additionally, if at least two E-DDMs are not installed in each attached storage expansion enclosure, the resulting insufficient load to the storage expansion enclosure power supply FRUs might cause the storage expansion enclosure power supply FRUs to intermittently appear as failed and then reappear in an optimal state, falsely indicating that the power supply FRUs are bad.

- **E-DDM FRU labels:** A label is provided on the front of each E-DDM. Use this label to record the location information for each E-DDM before you remove it. Ensure that you keep track of the E-DDMs and their corresponding bays. Also, record the location information in Table 25 on page 108. If you install an E-DDM in the wrong bay, you might lose data.
- **Drive LEDs:** Each E-DDM FRU tray has two associated LEDs, a green Activity LED and an amber Fault LED. These LEDs indicate the status for that E-DDM. See Table 20 for the drive LED states and descriptions.
- E-DDM FRUs are not interchangeable between the EXP520 and other DS5000 storage expansion enclosures such as EXP710s.

Table 20. Drive LED activity

LED	LED state	Descriptions
Activity LED	Flashing green	The green LED flashes to indicate fibre-channel activity to the drive.
Activity LED	Steady green	The green LED lights to indicate that the drive is properly installed and is spun up by the DS5000 controller.
Fault LED	Flashing amber	The amber LED flashes to indicate that a drive has been identified by the software.

Table 20. Drive LED activity (continued)

LED	LED state	Descriptions
Fault LED	Steady amber	The amber LED lights to indicate a drive failure. The green activity LED will be flashing one every 2 seconds if the DS5000 storage subsystem is spinning down the drive. The drive can also be put in a failed state if the drive is not certified for the DS5000 storage subsystem that the EXP520 is connected to or the installed controller firmware version is not the required version to support the drive. Use the DS5000 storage subsystem Management window to verify that this is the case and replace the drive with the drive option or FRU that is certified for that particular DS5000 storage subsystem, or upgrade the controller firmware to the required version to support the inserted disk drive.
Activity and Fault LEDs	All unlit	Check for and resolve one of the following situations: <ul style="list-style-type: none"> <li>• EXP520 is turned off.</li> <li>• EXP520 enclosure speed is not set correctly.</li> </ul>
Activity LED	Flashing once every 2 seconds	Check for and resolve one of the following situations: <ul style="list-style-type: none"> <li>• EXP520 is not connected to the DS5000 storage subsystem.</li> <li>• DS5000 storage subsystem controller firmware is not at the required level to support the drive.</li> <li>• Drives are part of an exported array. Once the array is exported, the drives in the array are spun down in preparation for being removed from the enclosure.</li> <li>• Drives are not compatible. Incompatible drives are spun down when they are inserted into the drive slots.</li> <li>• Drives are failed by the storage subsystem controllers.</li> </ul>
Activity and Fault LEDs	Flashing together in a certain pattern	Drive failure due to the incorrect EXP520 enclosure speed setting or internal drive hardware failures.

- **Fibre-channel loop IDs:** When you install an E-DDM in the storage expansion enclosure, the drive tray connects into a printed circuit board called the *midplane*. The midplane sets the fibre-channel loop ID automatically, based on the setting of the enclosure ID and the physical location (bay) of the E-DDM FRU.
- **Hot-swap hardware:** The EXP520 contains hardware that enables you to replace a failed E-DDM without turning off the storage expansion enclosure. You can continue to operate your system while an E-DDM is removed or installed. These E-DDMs are known as hot-swap E-DDMs.

## Installing hot-swap hard disk drives

With the exception of the DS5000 storage subsystem initial power on, IBM recommends that you add E-DDMs while the storage expansion enclosure is turned on and running. Complete the following steps to install hot-swap E-DDMs in the storage expansion enclosure:

**Attention:** After you remove a E-DDM FRU, wait 70 seconds before replacing or reseating it to allow it to properly spin down. Failure to do so may cause undesired events.

Before you begin, ensure that you wear an anti-static wrist strap.



1. Read the documentation that comes with the E-DDM.
2. Check for Fault LEDs shown in Figure 34. If any amber LEDs are lit, see “Solving problems” on page 93.

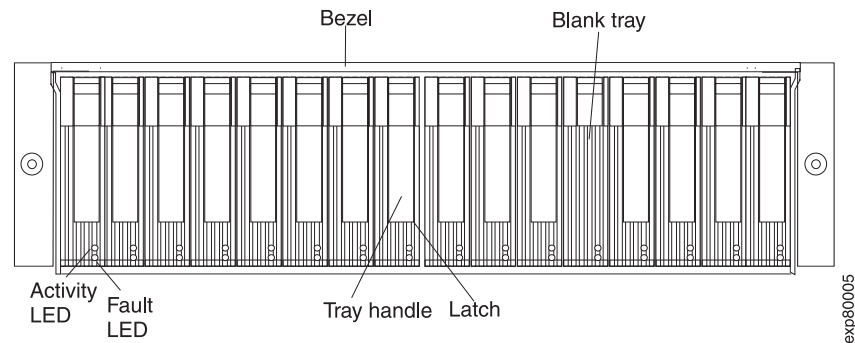


Figure 34. Hot-swap E-DDM LEDs

3. Determine the bay into which you want to install the E-DDM.
4. Remove the blank tray by completing the following steps:
  - a. Release the latch on the E-DDM FRU by pressing on the inside of the bottom of the tray handle.
  - b. Lift the closed latch to its open position. (The latch is at a 90° angle to the front of the E-DDM when open.)
  - c. Pull the blank tray out of the bay.
  - d. Save the blank tray for later use.
5. Install the E-DDM by completing the following steps:

**Note:** The E-DDM comes installed in a drive tray. Do not attempt to detach the E-DDM from the tray.

- a. Release the latch on the E-DDM FRU by pressing on the inside of the bottom of the tray handle.
- b. Pull the handle on the tray out so that it is in the open position, as shown in Figure 35 on page 72.

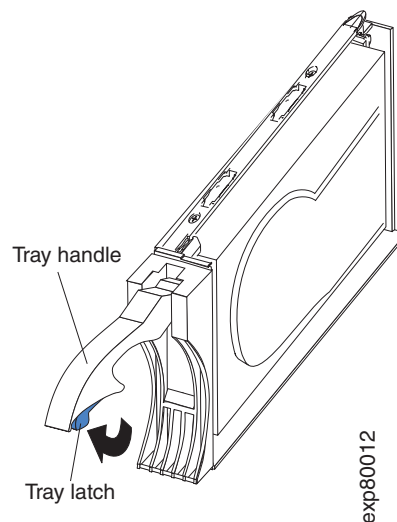


Figure 35. E-DDM FRU handle

- c. Slide the E-DDM FRU into the empty bay until the hinge of the tray handle latches beneath the storage expansion enclosure bezel or the adjacent drive FRU bezel.

**Note:** Make sure that the EMC gasket does not snag on the bezel.

- d. Push the tray handle down until it latches into place.

## Replacing hot-swap hard disk drives

E-DDM problems include any malfunctions that delay, interrupt, or prevent successful I/O activity between the hosts and the E-DDMs in the storage expansion enclosure. This includes transmission problems between the host controllers, the ESMs, and the E-DDMs. This section explains how to replace a failed E-DDM.

**Note:** If you want to remove an E-DDM that is not in a failed or bypass state, always use the DS Storage Manager client program either to place the E-DDM in a failed state or to place the array that is associated with the E-DDM (or E-DDMs) in an offline state before you remove it from the enclosure.

**Attention:** Failure to replace the E-DDMs in their correct bays might result in loss of data. If you are replacing an E-DDM that is part of a configured array and logical drive, ensure that you install the replacement E-DDM in the correct bay. Check the hardware and software documentation that is provided with your DS5000 to see if there are restrictions regarding E-DDM configurations.

Before you begin, ensure that you wear an anti-static wrist strap.

Complete the following steps to replace a hot-swap E-DDM:

1. Use the DS5000 Storage Management client software to print a new storage system profile.
2. Determine the location of the E-DDM that you want to remove.

**Attention:** Never hot-swap an E-DDM FRU when its associated green Activity LED is flashing. Hot-swap an E-DDM FRU only when its associated amber Fault LED is lit and not flashing.
3. Put on antistatic protection.
4. Remove the E-DDM by completing the following steps:
  - a. Release the latch on the E-DDM FRU by pressing on the inside of the bottom of the tray handle, as shown by the arrow in Figure 35.
  - b. Pull the tray handle out into the open position.
  - c. Pull the E-DDM FRU about 1/2 inch out of the bay and wait 70 seconds to allow it to properly spin down and the storage subsystem controller to properly recognize that an E-DDM is removed from the configuration.
  - d. Verify that there is proper identification (such as a label) on the E-DDM FRU, and then slide it completely out of the storage expansion enclosure.
5. Unpack the new E-DDM. Save all packing material in case you need to return it.

**Attention:** The DS5000 and EXP520 E-DDM options and FRUs are not compatible with DS4000™ and EXP810 E-DDM.
6. Install the new E-DDM FRU by completing the following steps:

- a. Gently push the E-DDM FRU into the empty bay until the hinge of the tray handle latches beneath the storage expansion enclosure bezel.
  - b. Push the tray handle down into the closed (latched) position.
7. Check the E-DDM LEDs for the following:
    - When an E-DDM is ready for use, the green Activity LED lights and the amber Fault LED is off.
    - If the amber Fault LED lights and is not flashing, remove the E-DDM from the unit and wait 70 seconds; then, install the E-DDM again.
  8. Use the DS Storage Manager subsystem management window to verify that the E-DDM is shown in the Storage Subsystem Management window.

## Replacing multiple E-DDMs

This section provides guidelines for upgrading the E-DDMs in the storage expansion enclosure. Read the software documentation and this entire section to determine whether you should use this procedure, use a modified version of this procedure, or use a different procedure that is provided by your operating system.

**Note:** Instructions that are provided with your software should supersede anything stated in this document.

Before you begin, ensure that you wear an anti-static wrist strap.

The following are methods for upgrading E-DDMs:

- **Replacing all the E-DDMs at the same time**

This method requires that you back up the data on the affected E-DDMs and then turn off the EXP520 and the DS5000 storage subsystem.

**Attention:** Turn off the DS5000 storage subsystem before you turn off the EXP520.

After replacing all the E-DDMs, you must reconfigure the new E-DDMs and restore data from backup. See the procedure in “Replacing all E-DDMs at the same time” on page 74.

This is the safest way to exchange E-DDMs without losing data. However, this method might take a long time to complete because of the backup, reconfiguration, and restoration processes. In addition, other users are not able to use the storage subsystem (or any storage expansion enclosures attached to the storage subsystem) until you finish the procedure. You must use this method on RAID 0 logical drives.

- **Replacing the E-DDMs one at a time**

In this method, you manually fail each E-DDM, replace it, and wait for the system to restore data to the new E-DDM before installing the next E-DDM. After you install the new E-DDMs, you can configure them to make the additional E-DDM space available. See the procedure in “Replacing the drives one at a time” on page 76.

Using this method, you can replace the E-DDMs while the EXP520 and the DS5000 are running, eliminating the down time that is required if you replace all of them at once. However, this method is more risky because you can lose data if the drive restoration or storage subsystem reconfiguration process fails. In addition, the reconstruction process might take a long time. This method works only on redundant logical drives (RAID 1, 3, 5, or 6). You cannot use this method with any drives containing RAID 0 logical drives.

Consider backing up your data if you use this method. This safeguards your data if the restoration and reconfiguration process fails or the new E-DDM malfunctions.

The method you use depends on the following considerations:

- Which method most closely matches the recommended drive upgrade procedure that is provided in the operating system or the storage-management software documentation.
- Which RAID level is used on the affected drives. (RAID 0 requires you to replace all the drives at the same time.)
- How much downtime is acceptable as you swap the E-DDMs.
- The number of E-DDMs in an array. Replacing E-DDMs one at a time is better suited for arrays consisting of 3 to 5 E-DDMs. If you have more than 10 E-DDMs, consider replacing all of them at the same time.
- How much risk of losing data is acceptable. Because the array will be in a degraded state during the RAID array reconstruction and copyback process as result of replacing an E-DDM in the array, any new E-DDM failure will cause the array to fail (causing a loss of data availability and even a loss of data). The duration of the reconstruction and copyback process can be quite long, depending on the size of the RAID array.
- How extensive are the changes to the data while the array is in a degraded state during the RAID array reconstruction and copyback process as result of replacing an E-DDM in the array. The more extensive the data changes, the more work that will need to be performed to restore the data in the event that the array failed because of an additional E-DDM failed while the array is in degraded state.

### **Replacing all E-DDMs at the same time**

Use this procedure to replace all E-DDMs at the same time. You must use this method if you are upgrading E-DDMs containing RAID 0 logical drives. All the data currently on the E-DDMs is lost when you replace them; therefore, you must back up all data that is currently on the E-DDMs. This procedure also requires you to turn off the EXP520 and the DS5000, which makes the storage subsystem (and any attached storage expansion enclosures) inaccessible to other users.

To replace all the E-DDMs at the same time, perform the following steps:

1. Read the following information:
  - The information in “Replacing multiple E-DDMs” on page 73, particularly the paragraphs that discuss the differences between the two possible upgrade procedures
  - The information in your software documentation regarding E-DDM upgrades and installation
  - The documentation that comes with the new E-DDMs

Read all precautionary notes, kit instructions, and other information. Kit instructions often contain the most current information regarding the E-DDMs and their installation, plus upgrade or servicing procedures. Compare the kit instructions with this procedure to determine if you need to modify this procedure.
2. Use the DS Storage Manager software to check the status of the DS5000. Correct any problems that are reported. Upgrade the storage subsystem controller to the level that supports the new E-DDMs, if required.
3. Perform a complete backup of the E-DDMs that you are replacing.

You need the backup to restore data on the E-DDMs later in this procedure.

**Attention:** When you handle static-sensitive devices, take precautions to avoid damage from static electricity. For details about handling static-sensitive devices, see “Handling static-sensitive devices” on page 22.

4. Unpack the new E-DDMs.

Set the E-DDMs on a dry, level surface away from magnetic fields. Save the packing material and documentation in case you need to return them.

5. Perform the following steps:
  - a. Stop all I/O activity to the storage subsystem and attached storage expansion enclosures. Make sure of the following:
    - 1) All of the green Drive activity LEDs on the front of the storage subsystem (and on all attached EXP520s) are not flashing.
    - 2) The green Cache active LEDs are off. Refer to the *IBM System Storage DS5100 and DS5300 Storage Subsystem Installation, User's, and Maintenance Guide* for the location of the Cache active LEDs.
  - b. If applicable, use the operating system software to disconnect the storage subsystem logical drives from the host before you power off the storage subsystem.

**Attention:** To turn off all power to the storage subsystem, you must turn off both power-supply switches and disconnect both power cords. Use the procedure in step 6 for the proper shutdown sequence.

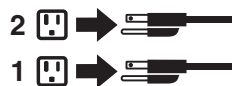
6. Turn off the power to each device based on the following shutdown sequence:
  - a. Turn off power to the host before you turn off power to the storage subsystem. If the host must stay powered on to support an existing network, see the operating system documentation for information about disconnecting the storage subsystem logical drives from the host before the storage subsystem is powered off.
  - b. Turn off power to the storage subsystem before you turn off power to the EXP520. Turn off both power supply switches on the back of the storage subsystem.

**Statement 5:**



**CAUTION:**

The power control button on the device and the power switch on the power supply do not turn off the electrical current supplied to the device. The device also might have more than one power cord. To remove all electrical current from the device, ensure that all power cords are disconnected from the power source.



- c. Turn off power to other supporting devices (for example, management stations, fibre-channel switches, or Ethernet switches).

7. Use the procedures in “Replacing hot-swap hard disk drives” on page 72 to remove the E-DDMs that you want to replace. Use the procedures in “Installing hot-swap hard disk drives” on page 70 to install the new E-DDMs into the EXP520.
8. After you install all the new E-DDMs, check the system documentation for the hardware devices that you intend to power on, and then determine the proper startup sequence. Use the following power-on sequence, where applicable:
  - a. Turn on the power to the supporting devices (for example, Ethernet switches and management stations) before you turn off power to the storage subsystem.
  - b. You must turn on the storage expansion enclosures before the storage subsystem. The controllers might not recognize the correct configuration if the drives are powered up after the storage subsystem. For instructions on powering up the storage subsystem, see the storage subsystem documentation.
  - c. Turn on the power to the storage subsystem; then restart or turn on the power to the host.
9. Turn on the power to each device, based on the power-on sequence in step 8. To turn on power to the storage subsystem and the EXP520s, turn on the power-supply switches on the back of the storage subsystem. You must turn on both power-supply switches to take advantage of the redundant power supplies.
10. Check the green Drive activity LEDs and the amber Drive fault LEDs above the new drive FRUs.

Make sure that the Drive activity LEDs are on and the Drive fault LEDs are off.

**Note:** The Drive fault LEDs might flash intermittently while the E-DDMs spin up.

  - If the Drive activity LED is off, the E-DDM FRU might not be installed correctly. Remove the E-DDM FRU, wait 30 seconds, and then reinstall it.
  - If the Drive fault LED stays on or the Drive activity LED stays off, the new E-DDM might be faulty. See the DS Storage Manager software for problem determination.
11. Use the DS Storage Manager software to configure the new E-DDMs. See the DS Storage Manager software online Help for detailed instructions.
12. Restore the data from backup to all the E-DDMs.

### Replacing the drives one at a time

Use this procedure to replace all the drives one at a time. You cannot use this procedure on RAID 0 logical drives (use the procedure in “Replacing all E-DDMs at the same time” on page 74).

**Note:** If your storage subsystem has hot spares assigned, you might want to unassign the hot spares while you perform this procedure. If you do not, reconstruction might start on the hot spare before you insert the new drive. The data on the new E-DDM is still rebuilt, but the process takes longer for each E-DDM. Remember to reassign the hot spares when you are finished with this procedure.

**Attention:** After you remove a E-DDM FRU, wait 70 seconds before replacing or reseating it to allow it to properly spin down. Failure to do so may cause undesired events.

To replace the E-DDMs one at a time, perform the following steps:

1. Read the following information:
  - “Replacing multiple E-DDMs” on page 73, particularly the paragraphs that discuss the differences between the two possible upgrade procedures
  - Your software documentation regarding drive upgrades and installation
  - The documentation that comes with the new drives

Read all precautionary notes, kit instructions, and other information. Kit instructions often contain the most current information regarding the drives and their installation, plus upgrade or servicing procedures. Compare the kit instructions with this procedure to determine if you need to modify this procedure.
2. Use the DS Storage Manager software to check the status of the unit. Correct any problems that are reported. Upgrade the storage subsystem controller to the level that supports the new E-DDMs, if required.
3. Back up the data in the arrays and logical drives that are configured using the E-DDMs that you are replacing.

**Attention:** When you handle static-sensitive devices, take precautions to avoid damage from static electricity. For details about handling static-sensitive devices, see “Handling static-sensitive devices” on page 22.

4. Unpack the new E-DDMs.

Set the E-DDMs on a dry, level surface away from magnetic fields. Save the packing material and documentation in case you need to return them.
5. Use the DS Storage Manager software to ensure that the array that was defined using these E-DDMs is in optimal (not degraded) state before manually failing the first E-DDM you want to replace. If the array is in degraded state, use the recovery procedures to bring the array into the optimal state.

Make sure of the following:

- You fail only one E-DDM.
- The software status display shows a failed status for the appropriate E-DDM.
- The amber Drive fault LED (on the front bezel below the E-DDM) is on.

**Attention:** Removing the wrong E-DDM can cause data loss. Make sure that you remove only the failed E-DDM FRU. The Drive fault LED below the failed E-DDM FRU should be on.

If you remove an active E-DDM accidentally, wait at least 30 seconds and then reinstall it. Because you failed two E-DDMs in a RAID array, the array might be marked failed by the controller. This array will not be available to the host for I/O. See the DS Storage Manager software for further recovery instructions. Do not attempt to replace any E-DDMs until the array is brought back to optimal state.

6. Use the procedures in “Replacing hot-swap hard disk drives” on page 72 to remove the failed drive. Use the procedures in “Installing hot-swap hard disk drives” on page 70 to install the new E-DDMs into the EXP520.

The new E-DDM automatically reconstructs the data after you install it in the drive slot.

During data reconstruction, the amber Drive fault LED might come on for a few minutes, then turn off when the green Drive activity LED begins flashing. A flashing Drive activity LED indicates that data reconstruction is in progress.

**Note:** If your storage subsystem has active hot spares, data might not start copying to the new E-DDM until the data is reconstructed on the hot spare. This increases the time that is required to complete the procedure.

7. Check the green Drive activity LED and the amber Drive fault LED above the new E-DDM FRUs.

Make sure that the Drive activity LEDs are on and the Drive fault LEDs are off.

**Note:** The Drive fault LEDs might flash intermittently while the E-DDMs spin up.

- If the Drive activity LED is off, the E-DDM FRU might not be installed correctly. Remove the E-DDM FRU, wait 30 seconds, and then reinstall it.
- If the Drive fault LED stays on or the Drive activity LED stays off, the new E-DDM might be faulty. See the DS Storage Manager software for problem determination.

8. Use the DS Storage Manager software to monitor the status of the new E-DDM and the progress of the data reconstruction. Wait for data reconstruction to finish. (The Drive activity LED stops flashing.)

**Note:** The Drive activity LED will continue to flash after reconstruction is finished if there is I/O activity to that E-DDM. In that case, use the host software to determine if the data reconstruction is finished.

9. When reconstruction is finished on the new E-DDM, repeat step 5 on page 77 through step 8 for each additional E-DDM that you want to install.
10. Use the DS Storage Manager software to configure the additional space on the new E-DDMs.

---

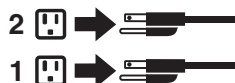
## Replacing a power supply and fan unit

Statement 5:



**CAUTION:**

The power control button on the device and the power switch on the power supply do not turn off the electrical current supplied to the device. The device also might have more than one power cord. To remove all electrical current from the device, ensure that all power cords are disconnected from the power source.



**CAUTION:**

**Disconnect the power cord before replacing the power supply and fan unit.**

The power supply and fan unit is a component that includes both a 600-W power supply unit and two fans. The power supply and fan units provide power and cooling for the EXP520. The power supply and fan units are customer replaceable



units (FRUs) and do not require preventive maintenance. Use only the supported power supply and fan units for your specific storage subsystem.

Each power supply and fan unit has a built-in sensor that detects the following conditions:

- Over-voltage
- Over-current
- Overheated power supply

If any of these conditions occurs, one or both power supplies will shut down. If the power remains off after the condition that causes it to go off, make sure that the environment is optimal (no overheating has occurred, all electrical outlets are working, and so on). For more information, see “Restoring power after an unexpected shutdown” on page 60.

The storage subsystem cooling system consists of two fans in each of the two power supply and fan unit FRUs. The power supply and fan units circulate air from the front to the back of the unit.

If both power supply and fan units fail, or if the power supply and fan units cannot maintain an internal temperature below 68° C (154° F), the power supply and fan units in the unit will automatically shut down (an over-temperature condition). If this occurs, you must cool the unit and restart it. See “Restoring power after an unexpected shutdown” on page 60.

**Attention:** The fans in the power supply and fan units draw in fresh air and force out hot air. The power supply and fan units are hot-swappable and redundant; however, if the fans in one power supply and fan unit fail, you must replace the entire failed power supply and fan unit within 72 hours to maintain redundancy and optimum cooling. Do not remove the failed power-supply fan unit until you have the replacement power supply and fan unit. When you do remove the failed power supply and fan unit, be sure to install the second power supply and fan unit within 10 minutes to prevent any overheating due to the interruption to the air flow that cools the storage expansion enclosure.

Do not run the storage subsystem without adequate ventilation and cooling, because it might cause damage to the internal components and circuitry.

Before you begin, ensure that you wear an anti-static wrist strap.

Use the following procedure to replace an ac power supply and fan unit. Figure 36 on page 82 illustrates removing and inserting a unit.

**Attention: Potential damage to a component** - To prevent damage from overheating, replace a failed power supply and fan unit FRU within 15 minutes of removal. If replacing it will take longer than 15 minutes, stop all I/O activity to the storage expansion enclosure and turn off the power until you complete the replacement.

**Statement 8:**



**CAUTION:**

Never remove the cover on a power supply and fan unit or any part that has the following label attached.



**Hazardous voltage, current, and energy levels are present inside any component that has this label attached. There are no serviceable parts inside these components. If you suspect a problem with one of these parts, contact a service technician.**

1. If needed, use the DS Storage Manager client software to print a storage system profile.
2. Did the Recovery Guru direct you to replace a failed power supply and fan unit?
  - **Yes** - Go to step 3.
  - **No** - Run the Recovery Guru to identify the failed component, and then go to step 3.
3. Put on antistatic protection.
4. Unpack the new power supply and fan unit. Save all packing material in case you need to return the failed power supply and fan unit FRU.

**Note:** The new power supply and fan unit FRU comes with an instruction sheet and label sheet. The instruction sheet provides instructions on placing the appropriate labels on the power supply and fan unit FRU to mark the LEDs correctly. The label sheet contains the peel-off labels that you actually place on the power supply and fan unit FRU.

5. Using the information provided on the instruction sheet, place the labels on the power supply and fan unit FRU to correctly mark the LEDs.
6. Turn off the power switch on the new unit.
7. Check the Fault LED to locate the failed power supply and fan unit. If a fault is detected, the amber Fault LED is on.
8. Verify that the Service Action Allowed LED is on. Do not remove the power supply and fan unit if the LED is off. For more information on the Service Action Allowed LED, see “Service Action Allowed Status LED” on page 65.

**Statement 1:**



## DANGER

**Electrical current from power, telephone, and communication cables is hazardous.**

**To avoid a shock hazard:**

- **Do not connect or disconnect any cables or perform installation, maintenance, or reconfiguration of this product during an electrical storm.**
- **Connect all power cords to a properly wired and grounded electrical outlet.**
- **Connect to properly wired outlets any equipment that will be attached to this product.**
- **When possible, use one hand only to connect or disconnect signal cables.**
- **Never turn on any equipment when there is evidence of fire, water, or structural damage.**
- **Disconnect the attached power cords, telecommunications systems, networks, and modems before you open the device covers, unless instructed otherwise in the installation and configuration procedures.**
- **Connect and disconnect cables as described in the following table when installing, moving, or opening covers on this product or attached devices.**

To Connect:	To Disconnect:
<ol style="list-style-type: none"><li>1. Turn everything OFF.</li><li>2. First, attach all cables to devices.</li><li>3. Attach signal cables to connectors.</li><li>4. Attach power cords to outlet.</li><li>5. Turn device ON.</li></ol>	<ol style="list-style-type: none"><li>1. Turn everything OFF.</li><li>2. First, remove power cords from outlet.</li><li>3. Remove signal cables from connectors.</li><li>4. Remove all cables from devices.</li></ol>

9. Turn off the power switch, and unplug the power cord from the failed power supply and fan unit.
10. Squeeze the latch and pull the lever open 90° (so that the lever is horizontal) to release the power supply and fan unit from the latch. The latch is a coral colored tab on the lever.
11. Slowly pull the lever away from the chassis to remove the power supply and fan unit, as shown in Figure 36 on page 82.

**Note:** The lever rotates upward or downward 90°, depending on whether the power supply and fan unit you are removing is in the right or left power supply and fan unit bay.

12. Slide the new unit into the empty slot. As you slide the power supply and fan unit into the empty slot, make sure the guide pins on the side of the power supply and fan unit fit into the notches. After the guide pins fit into the notches and power supply and fan unit fits snugly into the slot, push the lever downward or upward 90° to fully latch the power supply and fan unit into place, depending on whether you are inserting the power supply and fan unit into the right or left power supply and fan unit bay. Then gently push the front of the power supply and fan unit to ensure that it is fully seated.

**Attention:** The left and right power supply and fan units are seated in the EXP520 chassis in opposite orientations. If you cannot fully insert the power supply and fan unit into the power supply and fan unit bay, flip it 180° and reinsert it. Make sure that the levers lock into place in the storage expansion enclosure chassis.

13. Plug in the power cord and turn on the power.
14. Check the Power and Fault LEDs on the new unit.

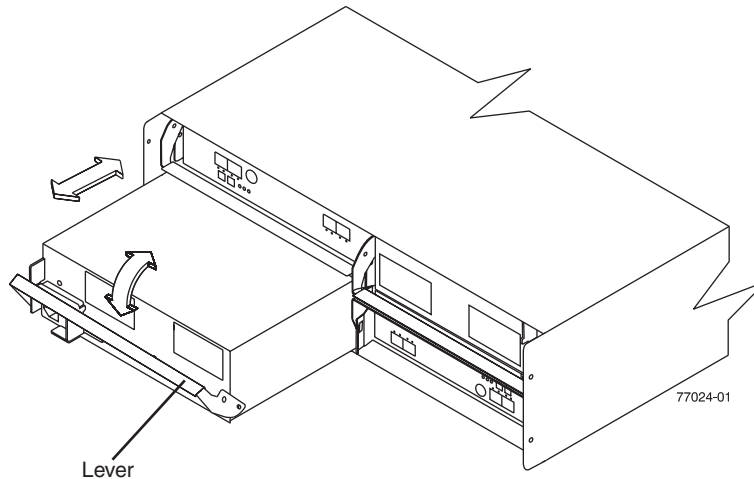


Figure 36. Replacing a power supply and fan unit

15. Based on the status of the Power and Fault LEDs, choose one of the following steps:
  - **Fault LED is on and power LEDs are off** - The new unit might be installed incorrectly. The power supply and fan unit switch may not be turned on. The power cord plug may not be fully inserted into the power outlet or the power supply and fan unit ac socket. There is not any power to the outlet that the power supply and fan unit is connected to. The power cord may be faulty. Go to step 15.
16. Perform the following task or task(s) to resolve the problem:
  - Ensure that the power switch is turned to the on position.
  - Ensure that there is power at the outlet and no circuit breaker has tripped.
  - Ensure that the power cord is working and fully seated into the electrical outlet and the power supply and fan unit socket.
  - Reinstall the power supply and fan unit.  
If the above tasks do not resolve the problem, contact IBM Customer and Technical Support.
17. Complete any remaining Recovery Guru procedures, if needed.
18. Check the status of each storage expansion enclosure in the storage subsystem.
19. Do any components have a Needs Attention LED?
  - **Yes** - Select the Recovery Guru toolbar button in the Subsystem Management Window and complete the recovery procedure. If a problem is still indicated, contact IBM Customer and Technical Support.
  - **No** - Go to step 20.
20. Create, save, and print a new storage subsystem profile.

---

## Replacing an Environmental Service Module (ESM)

This section describes the removal and replacement procedure for a failed hot-swap ESM. Always verify the FRU part number of the replacement ESM to verify that it is compatible with the existing ESM in the EXP520 chassis. Inserting non-compatible ESM FRU may cause lost of data availability.

The EXP520 storage expansion enclosures support the ESM auto code synchronization functionality. When a new ESM is installed into an existing storage expansion enclosure in a DS5000 storage subsystem that supports ESM auto code synchronization, firmware is automatically synchronized in the new ESM with the firmware in the existing ESM. This function requires that the DS5000 storage subsystem be defined in the Enterprise Management window of the DS Storage Manager client program installed in a management station. Additionally, the DS Storage Manager client program must be opened and running, or the IBM DS Storage Manager Event Monitor service must be running when the new ESM is inserted.

For instructions to start this service, see the *IBM System Storage DS Storage Manager Version 10 Installation and Host Support Guide* for your operating system. Do not perform to the following steps until you have installed the DS Storage Manager client program, defined the affected DS5000 storage subsystem in the Enterprise Management window, and either have the DS Storage Manager client program running or the Event Monitor service started.

### Attention:

- After you remove an ESM, wait at least 70 seconds before reseating or replacing the ESM so that the DS5000 storage subsystem controller properly recognizes that an ESM is removed from the configuration. Failure to do so may cause undesired events.
- The EXP520 ESM FRU is not the same as the EXP810 ESM FRU. The EXP810 ESM will be locked down when inserted in the EXP520 chassis. Verify that the ESM FRU PN is correct before replacing an ESM.

Before you begin, ensure that you wear an anti-static wrist strap.

Complete the following steps to remove a failed ESM:

1. Start the DS Storage Manager client program. In the Enterprise Management window, open the Subsystem Management window for the DS5000 storage subsystem that includes the EXP520 enclosure that requires the ESM replacement.
2. Check the DS Storage Manager online help for ESM failure-recovery procedures. Follow the steps provided in the failure-recovery procedures before continuing to step 3.
3. Save the DS5000 profile by performing the following steps:
  - a. In the Subsystem Management menu, select **Storage Subsystem → View → Profile**. The Storage Subsystem Profile window opens.
  - b. In the Storage Subsystem Profile window, click **Save As**. The Save Profile window opens.
  - c. In the Save Profile window, select or enter the file directory and file name. Click **Save** to save the profile. The Save Profile window closes.

**Important:** Do not store DS5000 profiles in the same location as the logical drives that are defined on your DS5000 configuration. If you do, and the logical drives fail, you will lose data.

- d. Click **Close** to close the Storage Subsystem Profile window.
4. Label each cable to ensure that all cables are properly connected to the new ESM.
5. Label the SFP modules when you remove them. You must install the SFP modules in the same positions on the new ESM.
6. Remove the SFP modules and the fibre-channel cables from the failed ESM.
 

**Attention:** Be careful not to bend the fibre-channel cables at a sharp angle or pinch them with objects. This can decrease the performance or cause data loss.
7. Squeeze the ESM latch. The ESM latch is a coral colored tab on the lever.
8. While squeezing the latch, pull the lever open 90° (so that the lever is horizontal). Pull the lever away from the chassis to remove the ESM from the EXP520 midplane, as shown in Figure 37.

**Note:** The lever rotates upward or downward 90°, depending on whether the ESM you are removing is in the right or left ESM bay.

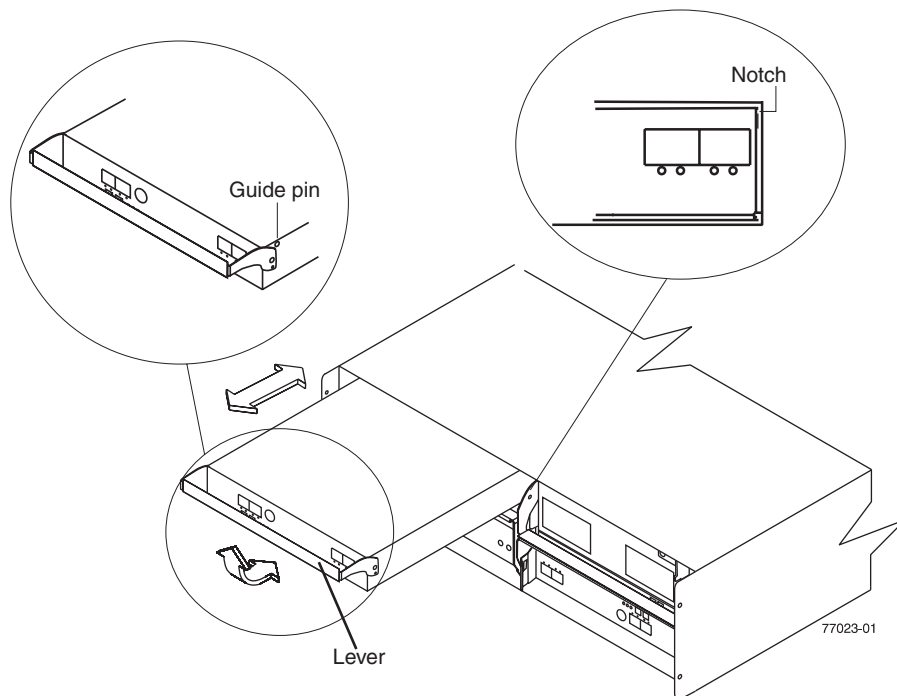


Figure 37. Removing and replacing an Environmental Service Module (ESM)

9. Unpack the new ESM FRU. Save all packing material in case you need to return the failed ESM FRU.
 

**Note:** The new ESM FRU comes with an instruction sheet and label sheet. The instruction sheet provides instructions on placing the appropriate labels on the ESM FRU to correctly mark the LEDs and SFP ports. The label sheet contains the peel-off labels that you actually place on the ESM FRU.
10. Using the information provided on the instruction sheet, place the labels on the ESM FRU to correctly mark the LEDs and SFP ports.
11. Install the new ESM by sliding it into the empty slot. Be sure that the levers are pulled straight out as you slide the ESM into the storage expansion enclosure.

As you slide the ESM into the empty slot, make sure the guide pins on the side of the ESM fit into the notches on the sides of the ESM bay. After the guide pins fit into the notches and ESM fits snugly into the bay, push the lever upward or downward 90° to fully latch the ESM into place, depending on whether you are inserting the ESM into the right or left ESM bay.

**Attention:** The left and right ESMs are seated in the EXP520 chassis in opposite orientations. If you cannot fully insert the ESM into the ESM bay, flip it 180° and reinsert it. Make sure that the levers lock into place in the storage expansion enclosure chassis.

12. Reinsert the SFP modules and reconnect the fibre-channel cables to their original locations.
13. Check the Power and Fault LEDs on the new ESM for the following:
  - If the Power LED is off, the ESM might not be inserted correctly.
  - If the Fault LED is lit, if the Power LED is off, or if any other Fault LEDs are lit, see “Solving problems” on page 93 or call IBM Support.
14. Check the input and output bypass LEDs at both ends of the reconnected cables. If the input and output bypass LEDs are lit, reconnect the cables and SFP modules.
15. Use the DS Storage Manager Client to open a Subsystem Management window to the DS5000 on which the EXP520 ESM was replaced. Click on the **Recovery Guru** or the **Environment Status** icon of the drive expansion enclosure on which you replaced the ESM.

If there is an ESM firmware mismatch, wait up to 15 minutes for the DS5000 Client program to perform ESM code synchronization.

**Note:** The ESM firmware download will take up to 5 minutes in typical workload condition.

If there is no ESM firmware mismatch, the upgrade process is complete.

16. If there is an ESM firmware mismatch, you must make corrections to match the ESM firmware by using the ESM firmware download function in the DS Storage Manager Client Subsystem Management window.

---

## Replacing an SFP module

The speed of the SFP module determines the maximum operating speed of the fibre channel port in which the SFP is installed. For example, a 2-Gbps SFP that is plugged into a 4-Gbps-capable port will limit the speed of that port to a maximum of 2 Gbps.

**Attention:**

- Refer to the FRU option P/N on the SFP to identify the maximum operating speed of the SFP and to request the correct FRU replacement.
- The EXP520 is not supported at 2 Gbps data rate operation attached to the DS5000; therefore, 2 Gbps SFPs are not supported in the EXP520.

Before you begin, ensure that you wear an anti-static wrist strap.

Use the following procedure to replace a Small Form-factor Pluggable (SFP) module on the storage expansion enclosure. The SFP module shown in this procedure might look different from those you are using, but the difference will not affect functionality. Figure 38 on page 86 illustrates installing an SFP module.

Electrostatic discharge can damage sensitive components. To prevent electrostatic discharge damage to the storage expansion enclosure, use proper antistatic protection when handling components.

1. Use the DS Storage Manager client software to print a new storage subsystem profile.
2. Using the Recovery Guru, identify the failed component that needs to be replaced.
3. Check the Fault LEDs to locate the failed SFP module. If a fault is detected, the amber Fault LED is on.

**Attention: Potential loss of data access** - To prevent loss of access to data, remove only the SFP module that has a failed status in the storage management software and has Port Bypass LED lit.

4. Put on antistatic protection.
5. Unpack the new SFP module. Verify that it is the same type of module you are replacing. If it is not, contact IBM Customer and Technical Support.

**Attention:**

- The EXP520 is not supported at 2 Gbps data rate operation attached to the DS5000; therefore, 2 Gbps SFPs are not supported in the EXP520.
  - The speed of the SFP module determines the maximum operating speed of the fibre channel port in which the SFP is installed. For example, a 2-Gbps SFP that is plugged into a 4-Gbps-capable port will limit the speed of that port to a maximum of 2 Gbps.
  - Handle and install fibre-optic cables properly to avoid degraded performance or loss of communications with devices. For specific handling guidelines, see “Handling fibre-optic cables” on page 36.
6. Disconnect the interface cables from the SFP module.
  7. Remove the failed SFP module from the controller.
  8. Install the new SFP module into the controller.
  9. Reconnect the interface cable.

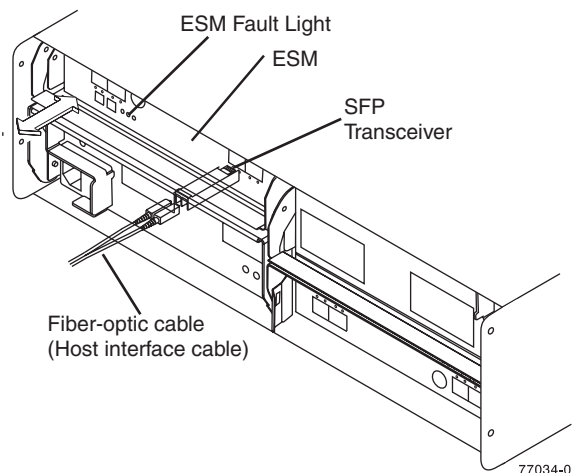


Figure 38. Replacing an SFP module

10. Check the Bypass and Fault LEDs for the new SFP module.
11. Based on the status of the Bypass and Fault LEDs, choose one of the following steps:



- **Bypass LED or Fault LED is on** - Reinstall the SFP module and cables, and verify that the SFP module and cables are securely connected. Use the fibre channel loopback and the LC-LC connector to perform path diagnostics to ensure that the FC cable is good and the SFP on the other end of the fibre channel connection is working properly. When finished, go to step 12.
  - **Bypass LED and Fault LED are off** - Go to step 12.
12. Is the problem corrected?
    - **Yes** - Go to step 13.
    - **No** - Contact IBM Support.
  13. Complete any remaining Recovery Guru procedures, if needed.
  14. Use the DS Storage Manager Subsystem Management window to check the status the status of all components in the storage subsystem.
  15. Remove the antistatic protection.
  16. Does any component have a Needs Attention status?
    - **Yes** - Select the **Recovery Guru** toolbar button in the Subsystem Management window, and complete the recovery procedure. If the problem persists, contact IBM Support.
    - **No** - Go to step 17.
  17. Use the DS Storage Manager client software to print a new storage subsystem profile.

---

## Replacing a midplane

**Attention:** Observe handling static-sensitive device precautions stated in “Handling static-sensitive devices” on page 22 when removing components.

Before you begin, ensure that you wear an anti-static wrist strap.

Perform the following steps to replace a midplane:

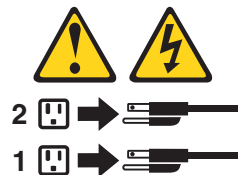
1. Complete the power-off sequence described in “Turning off the EXP520” on page 57 ensuring that the DS5000 storage subsystem is turned off before any attached storage expansion enclosures.

**Statement 5:**



**CAUTION:**

The power control button on the device and the power switch on the power supply do not turn off the electrical current supplied to the device. The device also might have more than one power cord. To remove all electrical current from the device, ensure that all power cords are disconnected from the power source.



2. Power off the EXP520 storage expansion enclosure that will have its midplane replaced.
3. Label and remove the power cords from the power supply and fan units of the EXP520 storage expansion enclosure.
4. Label the fibre channel cables that are attached to the rear of the ESMs. Labeling the cables simplifies the re-cabling process.
5. Remove the fibre channel cables that are attached to the rear of the ESMs.
6. Remove both ESMs by completing the following steps:
  - a. Squeeze the ESM latch and pull the lever open 90° (so that the lever is horizontal) to release the ESM from the latch. The ESM latch is a coral colored tab on the lever.

**Note:** The lever rotates upward or downward 90°, depending on whether the ESM you are removing is the right or left ESM FRU.

- b. Slowly pull the lever away from the EXP520 chassis to remove the ESM from the ESM bay, as shown in Figure 37 on page 84. (Remove the ESM from the chassis and place it on an electrostatic discharge (ESD) protected surface.)
  - c. Repeat steps 6a and 6b for the other ESM.
7. Remove both power supply and fan units by completing the following steps:
  - a. Squeeze the latch and pull the lever open 90° (so that the lever is horizontal) to release the power supply and fan unit from the latch. The latch is a coral colored tab on the lever.
  - b. Slowly pull the lever away from the chassis to remove the power supply and fan unit, as shown in Figure 36 on page 82. (Remove the power supply and fan unit from the chassis and place it on ESD protected surface.)

**Note:** The lever rotates upward or downward 90°, depending on whether the power supply and fan unit you are removing is in the right or left power supply and fan unit bay.

- c. Repeat steps 7a and 7b for the other power supply and fan unit.
8. Label the Enhanced Disk Drive Module (E-DDM) FRUs so you know their physical location in the midplane.
9. Remove the E-DDM FRUs and any blank drive FRUs if the storage expansion enclosure has them. See “Replacing hot-swap hard disk drives” on page 72 for instructions. Place E-DDMs on ESD protected surface.
 

**Attention:** Do not stack E-DDM FRUs on top of each other. Protect the E-DDM FRUs from vibrations or sudden shocks.
10. Use a #1 Phillips screwdriver to loosen the four front cage frame screws on the midplane, as shown in Figure 39 on page 89.

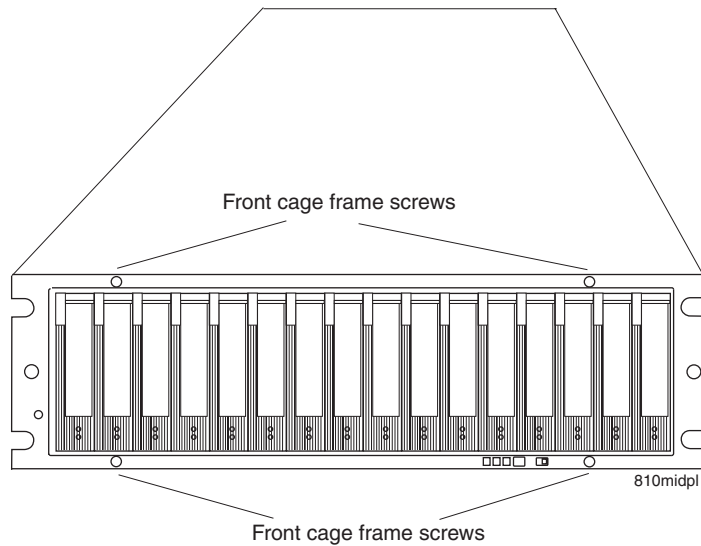




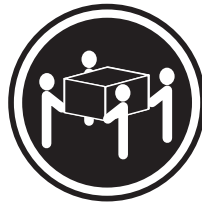
Figure 39. Front cage frame screw locations

11. On the back of the EXP520, remove the four Phillips screws (two screws on each side) that hold the sides of the EXP520 chassis to the sides of the rails.
12. On the front of the EXP520, remove the four M5 screws (two screws on each side) on the EXP520 chassis that hold the EXP520 to the rails.

**Attention:** The unit must be removed from the rack and placed on a level ESD protected surface before servicing it.

**Statement 4:**



		
≥ 18 kg (39.7 lb)	≥ 32 kg (70.5 lb)	≥ 55 kg (121.2 lb)

**CAUTION:**  
Use safe practices when lifting.

13. Pull the chassis outward from the front of the rack and remove from the rack. Place it on a level surface. Look for a row of three Phillips screws on top of the chassis and a row of four Phillips screws on the bottom of the chassis, as shown in Figure 40 on page 90. Remove the seven Phillips screws using the #1 Phillips screwdriver. Save these screws.

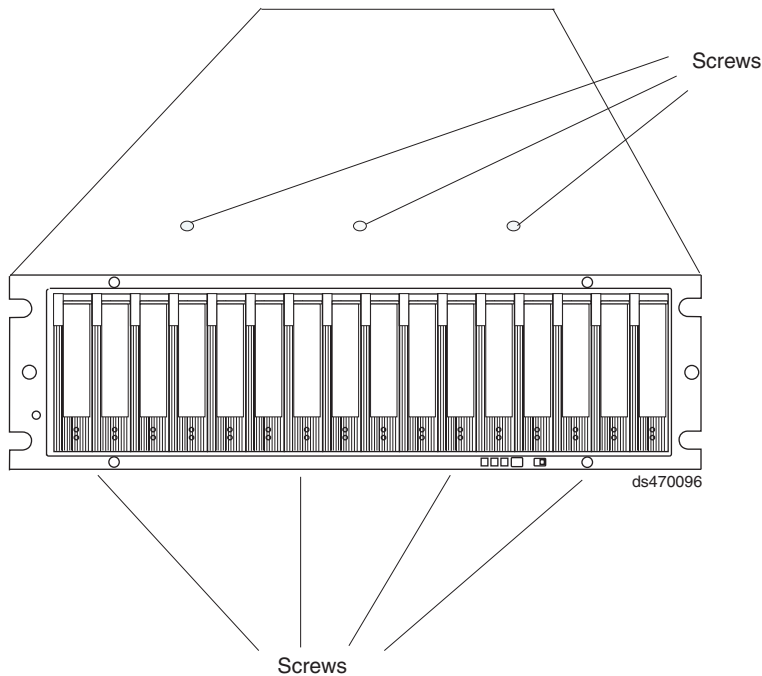


Figure 40. Screws holding the top and bottom sides of the chassis to the cage frame

14. Grasp the blue handle in the center of the front cage frame and pull it outward to slide the front cage frame out approximately two inches. Grab the two sides of the front cage frame and remove it from the chassis.

**Note:** The front cage frame might be tightly secured in the chassis. IBM recommends mounting the EXP520 chassis back in the rack using the four M5 screws to hold the EXP520 chassis in place while you pull on the blue handle to separate the front cage frame from the chassis. Remove the EXP520 chassis from the rack and place it on a level surface after you remove the failed front cage frame for the next step.

15. Unpack the new front cage frame with the midplane. Save the packaging materials in case you need to return it.
16. Insert the new front cage plane/midplane by aligning it with the EXP520 front opening and slowly sliding it into the EXP520 chassis. Make sure that the front cage frame EMC gaskets do not snag between the frame and chassis.
17. Tighten the four front cage frame screws. See Figure 39 on page 89.
18. Install the seven Phillips screws (three on top and four on bottom) that hold the front cage frame to the EXP520 chassis that you removed in step 13 on page 89, as shown in Figure 40.
19. Push the chassis all the way back into the rail and install the four M5 screws along the side edges of the EXP520 chassis.
20. Install the four Phillips screws on the back along the sides of the EXP520 chassis that hold the EXP520 to the rails.
21. Insert the E-DDM FRUs. Be sure you insert them in the correct slots. Use the labels you put on them before you removed them to guide you.
22. Re-insert the ESMs and reconnect the fibre channel cables.
23. Re-insert the power supply and fan units and reconnect the power supply cords.
24. Power on the EXP520.

25. Wait at least 3 minutes and then power on the DS5000 storage subsystem. Verify the status of the configuration using LEDs and the DS Storage Manager client program.
26. After removing the faulty cage frame with midplane assembly, transpose the EXP520 serial number, machine type, and model tag from the faulty cage frame assembly to the Repair Identification (RID) tag on the new cage frame assembly. The RID tag is important in transferring the serial number, machine type, and model from the faulty cage frame assembly to the new cage frame assembly. Ensure that the new RID tag is affixed to the new cage frame assembly before you dispose of the faulty cage frame with midplane assembly. This will ensure that the warranty coverage is not interrupted.



---

## Chapter 6. Hardware maintenance

This chapter contains information to help you solve some of the simpler problems that you might have with your storage subsystem. It contains the problem indicators and error messages along with suggested actions to take to resolve the problem.

For instructions on how to obtain service and technical assistance for your storage subsystem and other IBM products, see “Getting information, help, and service” on page xxiii.

---

### General checkout

Use the indicator lights, the diagnostics and test information, the symptom-to-FRU index, and the connected server HMM to diagnose problems.

The PD maps found in the *IBM System Storage DS5000 Problem Determination Guide* provide you with additional diagnostic aids.

---

### Solving problems

This section contains information to help you solve some of the problems you might have with your storage expansion enclosure. Table 21 on page 94 contains the problem symptoms and error messages, along with suggested actions to take to resolve problems.

Always use the DS Storage Manager client to diagnose storage subsystem problems and component failures and find solutions to problems that have definite symptoms.

You can use Table 21 on page 94, which contains the problem symptoms and error messages, along with suggested actions as a guide for troubleshooting problems in addition to the DS Storage Manager Recovery Guru in the Subsystem Management window. Do not depend solely Table 21 on page 94 for a FRU replacement decision.

Table 21. Symptom-to-FRU index

Problem indicator	Component	Possible cause	Possible solutions
Amber LED is lit	Drive FRU (Drive Fault LED <b>Note:</b> The green Drive Activity LED might also be lit.)	Drive failure	Replace the failed drive. <b>Note:</b> The amber LED on the drive might also be lit if the drive slot has a blank drive tray inserted in certain ESM firmware versions.
		Drive not certified	Verify that the drive option and FRU part number is supported by the DS5020 with an EXP520 storage subsystem. (For FRU part numbers, see “Parts listing” on page 101, or the DS5020 RFAs.)
		Controller firmware is not at the minimum version to support the drive.	Upgrade the controller firmware to the latest version from the IBM Support web site.
	ESM (Fault LED)	ESM failure	Replace the ESM. See your controller documentation for more information. See Chapter 5, “Installing and replacing components,” on page 65 for more information.
	ESM (Port Bypass LED)	No incoming signal detected	Reconnect the SFP modules and the fibre-channel cables. Verify the input and output SFP and the FC loopback and female-female LC connector. Replace either input or output SFP modules or fibre channel cables as necessary.
		Incorrect enclosure speed setting	When connecting the EXP520 to the existing operating redundant drive loop with a different speed setting, the port goes into bypass mode because mixing different speed enclosures within the same redundant drive loop/channel is not supported.
ESM failure		If the ESM Fault and Service Action LEDs are lit, replace the ESM.	



Table 21. Symptom-to-FRU index (continued)

Problem indicator	Component	Possible cause	Possible solutions
Amber LED is lit (continued)	Front panel (Global Summary Fault LED)	General machine fault	A Fault LED is lit somewhere on the storage expansion enclosure (check for Amber LEDs on FRUs).
		Fibre-channel connection failure	Check that the FRUs are properly installed. If none of the amber LEDs are lit on any of the FRUs, this indicates an SFP module transmission fault in the storage expansion enclosure. Replace the failed SFP module. See the DS Storage Manager software documentation for more information.
Amber LED is lit and green LED is off	Power supply FRU	Power supply failure or power switch is turned off or there is a power failure.	Replace the failed power supply, turn on all power supply switches, or check the main or the rack power unit circuit breaker.
Amber and green LEDs are lit	Power supply FRU (Fault and Power LEDs lit; SAA lit; Direct Current Enable LED is not lit)	Power supply failure	Replace the failed power supply.
		Operating environment is too hot	Cool down the environment.
	Drive FRUs	Drive not certified	Replace the power supply and fan unit FRU.
All amber and green LEDs are slowly flashing	All drive FRUs	Drive not certified	Verify that the drive option or FRU P/N is listed in the support list for the appropriate DS5000 storage subsystems. <b>Note:</b> In certain cases, only the amber LED is lit, and the green activity LED is not lit. Use the Recovery Guru to better identify the cause of the drive failure.
All green LEDs are off	All FRUs	Check for and resolve one of the following situations: • EXP520 is not connected to the DS5000 • DS5000 does not have the correct firmware version	Replace the power supply and fan unit FRU.
		Subsystem power is off	Verify that the drive option or FRU P/N is listed in the support list for the appropriate DS5000 storage subsystems. <b>Note:</b> In certain cases, only the amber LED is lit, and the green activity LED is not lit. Use the Recovery Guru to better identify the cause of the drive failure.
		ac power failure	Check that all storage expansion enclosure power cables are plugged in and the power switches are on. If applicable, check that the main circuit breakers for the rack are powered on.
		Power supply failure	Check the main circuit breaker and ac outlet.
		Operating environment is too hot	Replace the power supply.
			Cool down the environment.

Table 21. Symptom-to-FRU index (continued)

<b>Problem indicator</b>	<b>Component</b>	<b>Possible cause</b>	<b>Possible solutions</b>
Amber LED is flashing	Drive FRUs (Fault LED lit)	Drive identity is in process	No corrective action needed.
	ESM port bypass	An FC loop initialization process (LIP) is being generated in the drive loop due to a faulty component.	Use the Read Link Status window in the DS Storage Manager Client Subsystem Management window and the storage subsystem event logs to isolate the faulty component.
	ESM SFP port bypass LED	The enclosure speed was set to 4 Gbps but the SFP inserted in the ESM SFP port does not operate at 4 Gbps.	Use the Recovery Guru menu function in the DS Storage Manager Client Subsystem Management window to verify the problem and replace the SFP with a 4 Gbps SFP.
		SFPs are inserted into unused ESM ports labeled 2A and 2B.	Verify the port connections in the back of the EXP520 and make corrections (using port 1A and 1B) if required.
	Front panel (Global Summary Fault LED)	One or multiple FRUs has intermittent problems.	Use the Recovery Guru menu function in the DS Storage Manager Client Subsystem Management window and the DS5000 storage subsystem Major Event Log to troubleshoot the problem.

Table 21. Symptom-to-FRU index (continued)

<b>Problem indicator</b>	<b>Component</b>	<b>Possible cause</b>	<b>Possible solutions</b>
One or more green LEDs are off	Power supply FRUs	Power cable is unplugged or switches are turned off	Make sure that the power cable is plugged in and that the switches are turned on.
	All drive FRUs	The EXP520 is connected to an unsupported DS5000 storage subsystem.	Verify that the EXP520 is connected to a supported DS5000 storage subsystem. Use the steps "Finding controller, storage expansion enclosure, and drive information" on page 50 to identify which storage subsystem is connected. Replace the incorrect storage subsystem with a correct one.
		The enclosure speed is not the same as other storage expansion enclosures and DS5000 storage subsystem in the same redundant drive channel pair.	Verify that all of the storage expansion enclosures and DS5000 storage subsystem enclosure speeds are the same.
		Incorrect SFPs are used such as a 2 Gbps SFP used when the EXP520 enclosure speed is set to 4 Gbps.	Verify and replace the SFPs with the correct speed SFPs.
		The EXP520 is not cabled or incorrectly cabled to other storage expansion enclosures or DS5000 storage subsystem. For example, ESM ports labeled 2A and 2B were used instead of ports labeled 1A and 1B.	Verify and correct the incorrect cabling if required.
		Drive FRUs are not fully inserted in the drive slots.	Verify that the drives are seated correctly in the drive slots. Remove and reinsert the drive FRUs if required.
		Midplane failure	Replace the midplane. Contact an IBM technical support representative.

Table 21. Symptom-to-FRU index (continued)

<b>Problem indicator</b>	<b>Component</b>	<b>Possible cause</b>	<b>Possible solutions</b>
One or more green LEDs are off (continued)	Several FRUs	Hardware failure	Replace the affected FRUs. If this does not correct the problem, replace the ESMs, followed by the midplane. Contact an IBM technical support representative.
		The DS5000 was not powered on, or all fibre-channel connections between the EXP520 and the storage subsystem failed.	Perform one of the following actions: <ul style="list-style-type: none"> <li>• Power on the storage subsystem.</li> <li>• Verify that the fibre-channel connections between the EXP520 and the storage subsystem are made.</li> </ul>
	Front panel	Power supply problem	Make sure that the power cables are plugged in and that the power supplies are turned on.
		Hardware failure	If any other LEDs are lit, replace the midplane. Contact an IBM technical support representative.

Table 21. Symptom-to-FRU index (continued)

Problem indicator	Component	Possible cause	Possible solutions
Green LED slowly flashing one per 2 seconds	Drive FRUs	The DS5000 was not powered on, or all fibre-channel connections between the EXP520 and the DS5000 storage subsystem failed.	Perform one of the following actions: <ul style="list-style-type: none"> <li>• Power on the storage subsystem.</li> <li>• Verify that the fibre-channel connections between the EXP520 and the storage subsystem are made.</li> <li>• Ensure that all the storage expansion enclosures in the same redundant drive loop/channel pair have the same enclosure speed setting.</li> </ul>
		Drives are part of an exported array. Once the array is exported, the drives in the array are spun down in preparation for being removed from the enclosure.	Using the Subsystem Management window, verify that the drives are indeed part of an exported array. If they are, it is expected behavior. Remove the drives from the storage subsystem as required. <p><b>Note:</b> If the drives are removed, the empty drive slots must be filled with the blank drive trays or another drive CRUs to ensure optimal air flow.</p>
		Drives are not compatible. Incompatible drives are spun down when they are inserted into the drive slots.	Using the Subsystem Management window, verify that the drives are marked as non-compatible drives. Replace the non-compatible drives with the drive options that are supported by the storage subsystem controllers. Refer to the FRU lists or the storage subsystem marketing web page.
		Failed drives	Using the Subsystem Management window, verify that the drives are marked as FAILED by the storage subsystem. Replace the failed drive with appropriate drive CRUs.

Table 21. Symptom-to-FRU index (continued)

Problem indicator	Component	Possible cause	Possible solutions
Intermittent or sporadic power loss to the storage expansion enclosure	Some or all FRUs	Defective ac power source or improperly connected power cable	Check the ac power source. Reseat all installed power cables and power supplies. If applicable, check the power components (power units or universal power supply). Replace defective power cables.
		Power supply failure	Check the power supply Fault LED on the power supply. If the LED is lit, replace the failed FRU.
		Midplane failure	Have the midplane replaced. Contact an IBM technical support representative.
Unable to access drives	Drives and fibre-channel loop	Incorrect storage expansion enclosure ID settings	Ensure that the fibre-channel optical cables are undamaged and properly connected. Check the storage expansion enclosure ID settings. <b>Note:</b> For information on how to change the storage expansion enclosure ID if required, refer to the online Help in the DS Storage Manager GUI.
		ESM failure	Replace one or both ESMs. Contact an IBM technical support representative.
		Drive or drives failed	Replace failed drive or drives.
		Drive is not certified	Check the DS5000 product Web site for the correct drive option P/N or FRU P/N certified for your DS5000 storage subsystem.
Random errors	Subsystem	Midplane failure	Have the midplane replaced. Contact an IBM technical support representative.
Hard disk drive not visible in RAID management software	Several FRUs	Drive or drives failed	Replace failed drive or drives.
		FC cable failed	Replace FC cable.
		SFP failed	Replace SFP.
		ESM failure	Replace ESM.
		Midplane failure	Have the midplane replaced. Contact an IBM technical support representative.
		Incorrect firmware version	Verify that the DS5000 storage subsystem has been upgraded to the correct firmware version. Refer to "Firmware updates" on page 49.

## Parts listing

Figure 41 and the following table provide a parts listing for the EXP520.

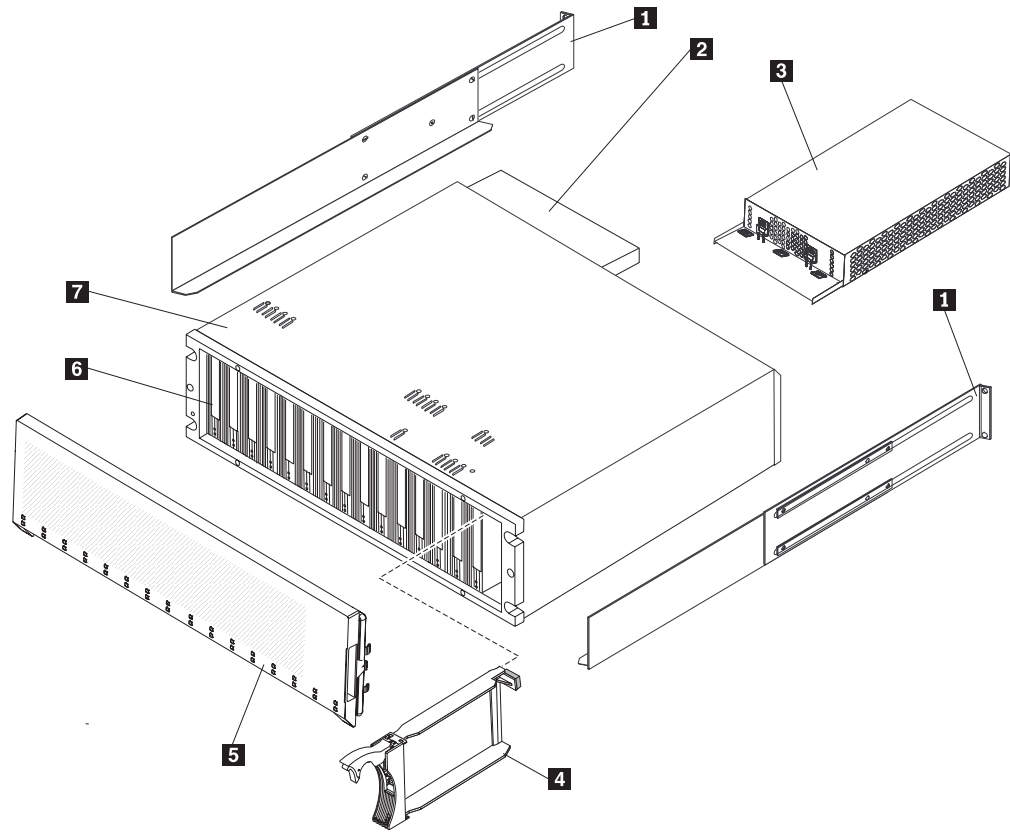


Figure 41. EXP520 storage expansion enclosure parts list

Table 22. Parts listing (EXP520 storage expansion enclosure)

Index	EXP520 storage expansion enclosure	FRU P/N
1	Rail kit	41Y5152
2	ESM	59Y5276
3	AC power supply and fan unit FRU, 600 W	59Y5502
4	Blank drive module	42D3315
5	NEBS bezel	69Y2775
	NEBS filter pack (4)	42D3283

Table 22. Parts listing (EXP520 storage expansion enclosure) (continued)

Index	EXP520 storage expansion enclosure	FRU P/N
6	3 Gbps SATA, 750 GB HS, 7200 RPM Disk drive module	43W9715
	3 Gbps SATA, 1 TB HS, 7200 RPM Disk drive module	44X3241
	3 Gbps SATA, 2 TB HS, 7200 RPM Disk drive module	59Y5484
	4 Gbps FC, 146 GB/15K Disk drive module	40K6823
	4 Gbps FC, 300 GB/15K Disk drive module	44X3231
	4 Gbps FC, 450 GB/15K Disk drive module	44X3237
	4 Gbps FC, 600 GB/15K Disk drive module	59Y5336
	4 Gbps FC, 146.8 GB/15K Disk drive module, full disk encryption	44E5638
	4 Gbps FC, 300 GB/15K Disk drive module, full disk encryption	44E5642
	4 Gbps FC, 450 GB/15K Disk drive module, full disk encryption	44E5646
	4 Gbps FC, 600 GB/15K Disk drive module, full disk encryption	59Y5341
	E-DDM, 4Gbps FC, Solid State Disk, 300GB	49Y4157
	E-DDM, 4Gbps FC, Solid State Disk, 73GB	49Y4156
	E-DDM, FC-SAS, 600 GB 10,000 RPM Disk drive module	81Y2408
	E-DDM, FC-SAS, 200 GB Solid State Disk drive module	81Y2430
	E-DDM, FC-SAS, 400 GB Solid State Disk drive module	81Y2431
	E-DDM, FC-SAS, encryption-capable, 600 GB 10,000 RPM Disk drive module	81Y2409
	E-DDM, FC-SAS, 300 GB 10,000 RPM Disk drive module	81Y2406
	E-DDM, FC-SAS, 900 GB 10,000 RPM Disk drive module	81Y2464
	E-DDM, FC-SAS, 3 TB 7,200 rpm 3.5" Disk drive module	81Y2458
DDM Gen 2, FC-SAS, 300 GB 10,000 RPM drive module	00Y4601	
DDM Gen 2, FC-SAS, 600 GB 10,000 RPM drive module	00Y4602	
DDM Gen 2, FC-SAS, 900 GB 10,000 RPM drive module	00Y4603	
7	Cage frame assembly, midplane	69Y2742
	Cable, FRU-1M	39M5699
	Cable, FRU-5M	39M5700
	Cable, FRU-25M	39M5701
	SFP LC (shortwave) 4 Gbps	81Y9920



Table 22. Parts listing (EXP520 storage expansion enclosure) (continued)

Index	EXP520 storage expansion enclosure	FRU P/N
	SFP LC (shortwave) 8 Gbps	49Y4123
	AC power cord, 2.8M	39M5081
	AC power cord jumper	39M5377

## Determining basic information of drive FRUs

IBM might ship drive FRUs of higher capacity than that of the drive FRUs they replace. These new drives are programmed in manufacturing to give the same capacity as the drive FRUs being replaced.

The new drive FRUs have different model IDs than the ones printed on the drive manufacturer label. You can determine the model ID and other information of these drives by referring to one of the following windows of the DS Storage Manager software:

- Properties pane in the Hardware tab of the Subsystem Management window
- Storage Subsystem Profile window

You can also use the IBM hologram label to determine the drive capacity and the drive FRU part number. A sample IBM hologram label is shown in the following figure.



Figure 42. An IBM hologram label example

dcsl0035



---

## Appendix A. Records

Whenever you add options to your storage expansion enclosure, be sure to update the information in this appendix. Accurate, up-to-date records make it easier to add other options and provide needed data whenever you contact your IBM technical support representative.

---

### Identification numbers

Record and retain the following information.

Product name:	IBM System Storage EXP520 Storage Expansion Enclosure
Machine type:	1814
Model number:	52A
Serial number:	

The serial number is located on the bottom inside surface at the rear and on the bottom right at the front of the EXP520.



## Sample information record

Table 24 shows a sample information record. This network contains storage subsystems that are managed by using both the direct-management and host-agent-management method.

Table 24. Sample information record

Storage subsystem name	Management method	Controllers-Ethernet and IP addresses, and host name		Host-IP address and host name
		Controller A	Controller B	
Finance	Direct	Hardware Ethernet address = 00a0b8020420	Hardware Ethernet address = 00a0b80000d8	
		IP address = 192.168.128.101	IP address = 192.168.128.102	
		Host = Denver_a	Host = Denver_b	
Engineering	Host-agent			IP address = 192.168.2.22
				Host = Atlanta



---

## Appendix B. Rack mounting template

This appendix provides duplicate copies of the rack mounting templates. If you want to tear out the templates from this document for easier use, use these copies rather than those provided in “Installing the support rails” on page 24.

Use the following templates (Figure 43 on page 110 and Figure 44 on page 111) to identify the proper locations for inserting M5 screws when mounting the support rails and EXP520 to a rack. The locations for the M5 screws are highlighted in the templates.

The EXP520 is 3 U high. Align the template with the rack at a U boundary. U boundaries are shown as horizontal dashed lines in the rack mounting templates.

**Note:** The mounting holes that are shown in the following templates are square. The holes in your rack might be round or square.

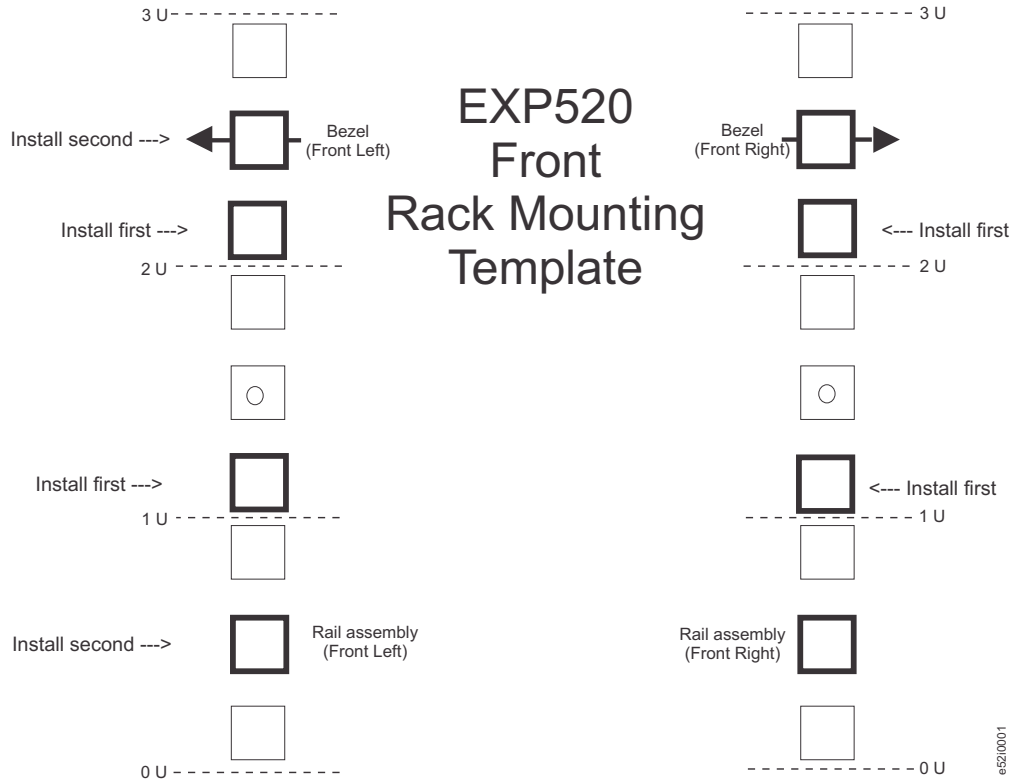


Figure 43. Front rack mounting template



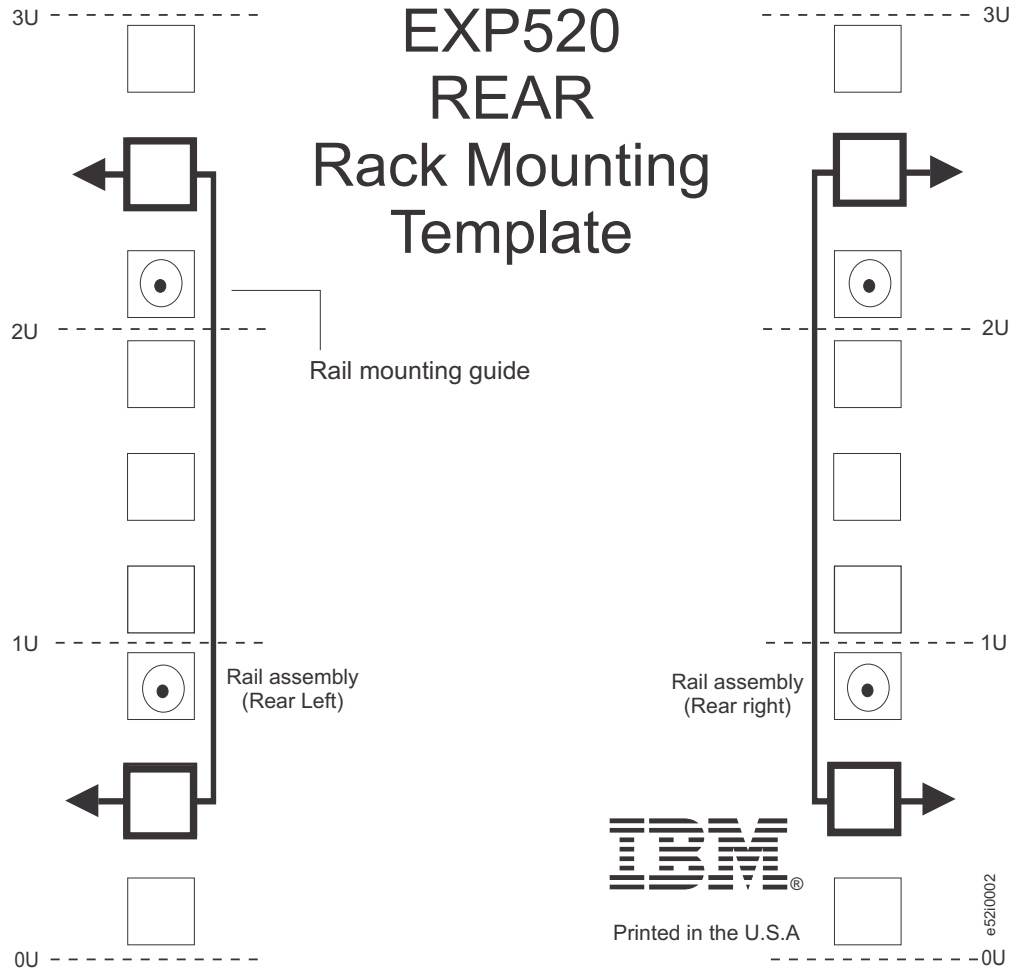


Figure 44. Rear rack mounting template



---

## Appendix C. Specifications for non-IBM rack installation

The following instructions provide safety requirements and rack specifications for installing DS5000 storage subsystems and DS5000 storage expansion enclosures into non-IBM racks.

**Note:** The information in this section applies to 19-inch racks. It is your responsibility, working with your rack manufacturer, to ensure that the non-IBM rack chosen meets the safety requirements and specifications listed in this section.

---

### General safety requirements for IBM products installed in a non-IBM rack or cabinet

The general safety requirements for IBM products installed in non-IBM racks are:

1. Any product or component that plugs into either an IBM power distribution unit or mains power (via a power cord), or uses any voltage over 42 V ac or 60 V dc (considered to be hazardous voltage) must be Safety Certified by a Nationally Recognized Test Laboratory (NRTL) for the country in which it will be installed.

Some of the items that require safety certification may include: the rack or cabinet (if it contains electrical components integral to the rack or cabinet), fan trays, power distribution unit, uninterruptible power supplies, multi-outlet strips, or any other products installed in the rack or cabinet that connect to hazardous voltage.

Examples of OSHA-approved NRTLs for the U.S.:

- UL
- ETL
- CSA (with CSA NRTL or CSA US mark)

Examples of approved NRTLs for Canada:

- a. UL (ULc mark)
- b. ETL (ETLc mark)
- c. CSA

The European Union requires a CE mark and a Manufacturer's Declaration of Conformity (DOC).

Certified products should have the NRTL logos or marks somewhere on the product or product label. However, proof of certification must be made available to IBM upon request. Proof consists of such items as copies of the NRTL license or certificate, a CB Certificate, a Letter of Authorization to apply the NRTL mark, the first few pages of the NRTL certification report, Listing in an NRTL publication, or a copy of the UL Yellow Card. Proof should contain the manufacturer's name, product type and model, standard to which it was certified, the NRTL name or logo, the NRTL file number or license number, and a list of any Conditions of Acceptance or Deviations. A Manufacturer's Declaration is not proof of certification by an NRTL.

2. The rack or cabinet must meet all electrical and mechanical safety legal requirements for the country in which it is installed.

The rack or cabinet must be free of exposed hazards (such as voltages over 60 V dc or 42 V ac, energy over 240 VA, sharp edges, mechanical pinch points, or hot surfaces).

3. There must be an accessible and unambiguous disconnect device for each product in the rack, including any power distribution unit.

A disconnect device may consist of either the plug on the power cord (if the power cord is no longer than 1.8 m (6 ft.)), the appliance inlet receptacle (if the power cord is of a detachable type), or a power on/off switch, or an Emergency Power Off switch on the rack, provided all power is removed from the rack or product by the disconnect device.

If the rack/or cabinet has electrical components (such as fan trays or lights), the rack must have an accessible and unambiguous disconnect device.

4. The rack or cabinet, power distribution unit and multi-outlet strips, and products installed in the rack or cabinet must all be properly grounded to the customer facility ground.

There must be no more than 0.1 Ohms between the ground pin of the power distribution unit or rack plug and any touchable metal or conductive surface on the rack and on the products installed in the rack. Grounding method must comply with applicable country's electric code (such as NEC or CEC). Ground continuity can be verified by your IBM service personnel, after the installation is completed, and should be verified prior to the first service activity.

5. The voltage rating of the power distribution unit and multi-outlet strips must be compatible with the products plugged into them.

The power distribution unit or multi-outlet strips current and power ratings are rated at 80 percent of the building supply circuit (as required by the National Electrical Code and the Canadian Electrical Code). The total load connected to the power distribution unit must be less than the rating of the power distribution unit. For example, a power distribution unit with a 30 A connection will be rated for a total load of 24 A (30 A x 80 percent). Therefore, the sum of all equipment connected to the power distribution unit in this example must be lower than the 24 A rating.

If an uninterruptible power supply is installed, it must meet all the above electrical safety requirements as described for a power distribution unit (including certification by an NRTL).

6. The rack or cabinet, power distribution unit, uninterruptible power supply, multi-outlet strips and all products in the rack or cabinet must be installed according to the manufacturer's instructions, and in accordance with all national, state or province, and local codes and laws.

The rack or cabinet, power distribution unit, uninterruptible power supply, multi-outlet strips and all products in the rack or cabinet must be used as intended by the manufacturer (per manufacturer's product documentation and marketing literature).

7. All documentation for use and installation of the rack or cabinet, power distribution unit, uninterruptible power supply, and all products in the rack or cabinet, including safety information, must be available on-site.
8. If there is more than one source of power in the rack cabinet, there must be clearly visible safety labels for "Multiple Power Source" (in the languages required for the country in which the product is installed).
9. If the rack or cabinet or any products installed in the cabinet had safety or weight labels applied by the manufacturer, they must be intact and translated into the languages required for the country in which the product is installed.
10. The rack or cabinet configuration must comply with all IBM requirements for "safe to service" (contact your IBM Installation Planning Representative for assistance in determining if the environment is safe).

There must be no unique maintenance procedures or tools required for service.

11. Elevated service installations, where the product(s) to be serviced are installed between 1.5 m and 3.7 m (5 ft. and 12 ft.) above the floor, require the availability of an OSHA- and CSA-approved nonconductive step ladder. If a ladder is required for service, the customer must supply the OSHA- and CSA-approved nonconductive step ladder (unless other arrangements have been made with the local IBM Service Branch Office). Products installed over 2.9 m (9 ft.) above the floor requires a Special Bid to be completed before they can be serviced by IBM service personnel.

For products not intended for rack-mounting to be serviced by IBM, the products and parts that will be replaced as part of that service must not weigh over 11.4 kg (25 lb). (Contact your Installation Planning Representative if in doubt).

12. There must not be any special education or training required for safe servicing of any of the product(s) installed in the racks. (Contact your Installation Planning Representative if in doubt).

---

## Rack specifications

When installing a DS5000 storage subsystem or DS5000 storage expansion enclosure into a non-IBM rack, follow the specifications below.

1. The rack or cabinet must meet the EIA Standard EIA-310-D for 19-inch racks published August 24, 1992. The EIA-310-D standard specifies internal dimensions, for example, the width of the rack opening (width of the chassis), the width of the module mounting flanges, the mounting hole spacing, and the depth of the mounting flanges. The EIA-310-D standard does not control the overall external width of the rack. There are no restrictions on the location of side walls and corner posts relative to the internal mounting space.

The front rack opening must be 451 mm wide + 0.75 mm (17.75 in. + 0.03 in.), and the rail-mounting holes must be 465 mm + 0.8 mm (18.3 in. + 0.03 in.) apart on center (horizontal width between vertical columns of holes on the two front-mounting flanges and on the two rear-mounting flanges).

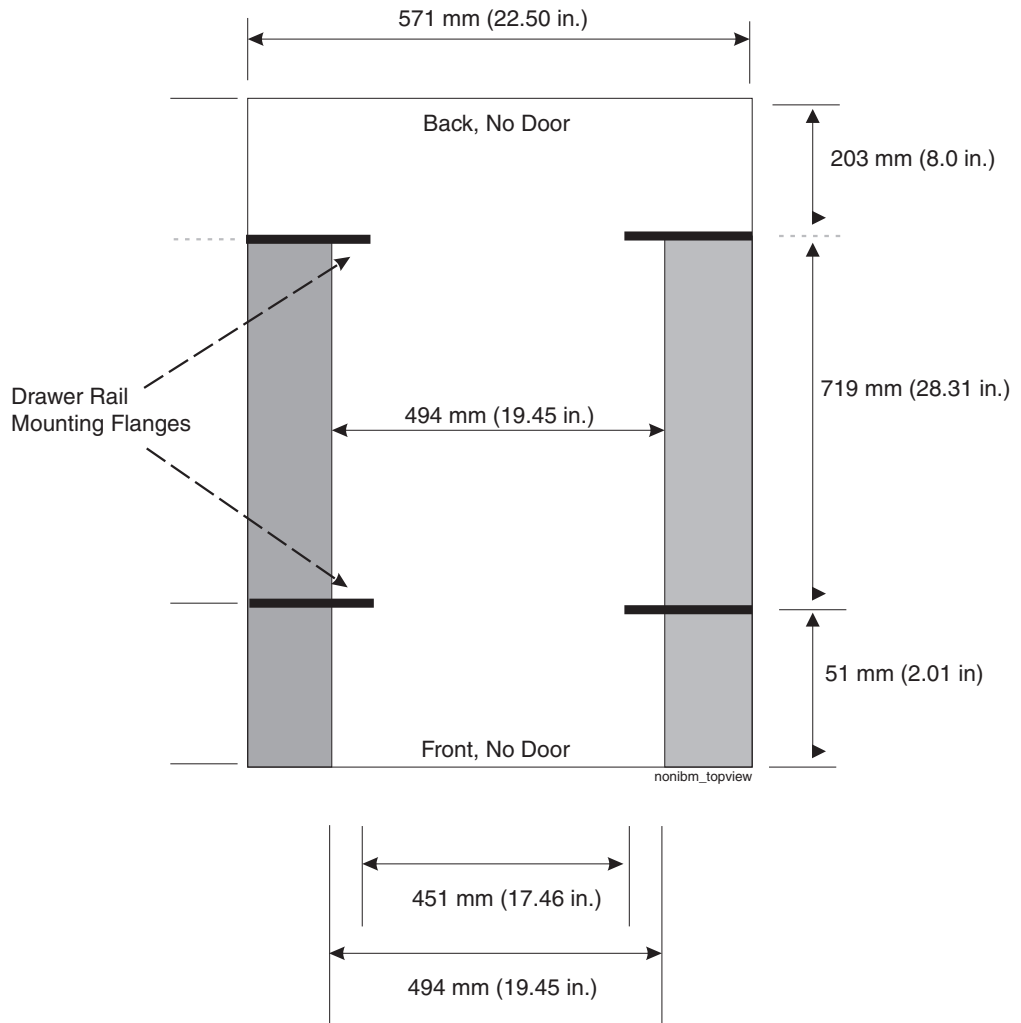


Figure 45. Top View of non-IBM Rack Specifications Dimensions

#### Top view of non-IBM rack specifications dimensions

The vertical distance between mounting holes must consist of sets of three holes spaced (from bottom to top) 15.9 mm (0.625 in.), 15.9 mm (0.625 in.), and 12.67 mm (0.5 in.) on center (making each three hole set of vertical hole spacing 44.45 mm (1.75 in.) apart on center). The front and rear mounting flanges in the rack or cabinet must be 719 mm (28.3 in.) apart and the internal width bounded by the mounting flanges at least 494 mm (19.45 in.), for the IBM Storage System or eServer™ rails to fit in your rack or cabinet (see Figure 45).

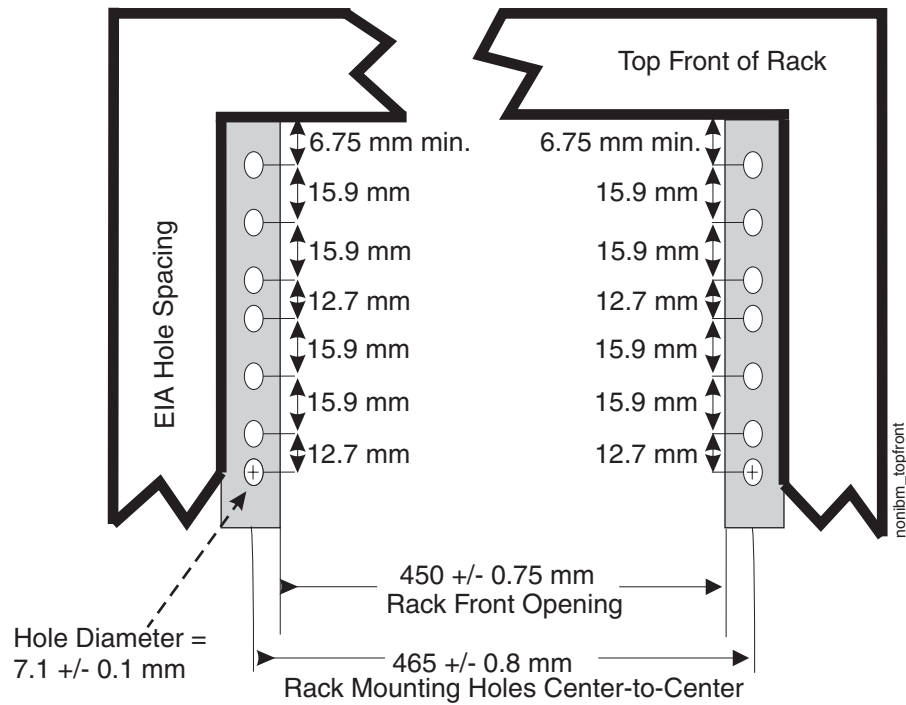


Figure 46. Rack specifications dimensions, top front view

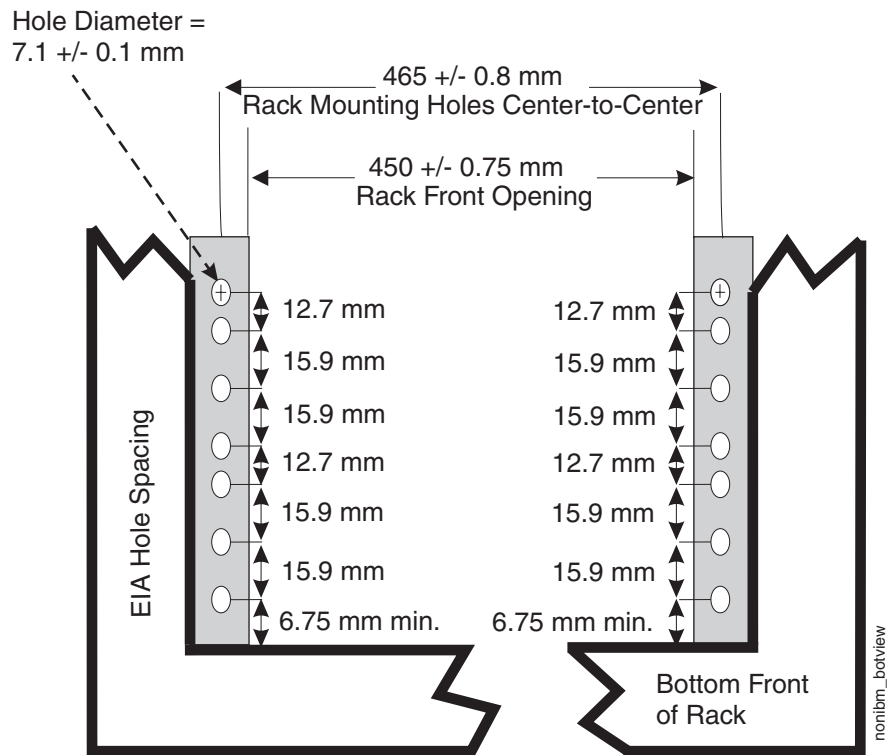


Figure 47. Rack specifications dimensions, bottom front view

2. The rack or cabinet must be capable of supporting an average load of 15.9 kg (35 lb.) of product weight per EIA unit.

For example, a four EIA drawer will have a maximum drawer weight of 63.6 kg (140 lb.).

3. AC or dc power drawers need to be support based on equipment purchased for the rack or cabinet. It is strongly recommended that you use a power distribution unit that meets the same specifications as each unit already installed in the rack. Each power distribution unit needs a dedicated power line. Rack or cabinet power distribution device(s) must meet the drawer power requirements, as well as that of any additional products that will be connected to the same power distribution device.

The rack or cabinet power receptacle (power distribution unit, uninterruptible power supply, or multi-outlet strip) must have a compatible plug type for your drawer or device. The customer is responsible for ensuring the power distribution unit is compatible with the rack or cabinet and assumes responsibility for any and all agency certifications required.

4. The rack or cabinet must be compatible with drawer mounting rails, including a secure and snug fit of the rail-mounting pins and screws into the rack or cabinet rail mounting holes. You must use the IBM mounting rails that are shipped with the IBM product to install it in the rack. The mounting rails that ship with IBM products have been designed and tested to safely support the product during operation and service activities as well as to safely support the weight of your drawer or device. The rails must facilitate service access by allowing the drawer to be safely extended, if necessary, forwards, backwards, or both.

**Note:** If the rack or cabinet has square holes on the mounting flanges, additional hardware may be required.

5. The rack or cabinet must have stabilization feet or brackets installed both in the front and rear of the rack, or have another means of preventing the rack/cabinet from tipping while the drawer or device is pulled into its extreme front or rear service positions.

Examples of some acceptable alternatives: The rack or cabinet may be securely bolted to the floor, ceiling or walls, or to adjacent racks or cabinets in a long and heavy row of racks or cabinets.

6. There must be adequate front and rear service clearances (in and around the rack or cabinet).

The rack or cabinet must have sufficient horizontal width clearance in the front and rear to allow the drawer to be fully slid into the front and, if applicable, the rear service access positions (typically this requires 914.4 mm (36 in.) clearance in both the front and rear).

If present, front and rear doors must be able to open far enough to provide unrestrained access for service or be easily removable. If doors must be removed for service, it is the customer's responsibility to remove them prior to service.

7. The rack or cabinet must provide adequate clearance around the rack drawer.

There must be adequate clearance around the drawer bezel so that it can be opened and closed, according to the product specifications.

Front or rear doors must also maintain a minimum of 51 mm (2 in.) front, 203 mm (8 in.) rear, door to mounting flange clearance, and 494 mm (19.4 in.) front, 571 mm (22.5 in.) rear, side-to-side clearance for drawer bezels and cables (see Figure 45 on page 116).

8. The rack or cabinet must provide adequate front-to-back ventilation.

For optimum ventilation, it is recommended the rack or cabinet not have a front door. If the rack or cabinet has doors, the doors must be fully perforated so that there is proper front-to-back airflow to maintain the required drawer ambient



inlet temperature as specified in the server specifications. The perforations should yield at least 34 percent minimum open area per square inch.



---

## Appendix D. Power cords

For your safety, IBM provides a power cord with a grounded attachment plug to use with this IBM product. To avoid electrical shock, always use the power cord and plug with a properly grounded outlet.

IBM power cords used in the United States and Canada are listed by Underwriter's Laboratories (UL) and certified by the Canadian Standards Association (CSA).

For units intended to be operated at 115 volts: Use a UL-listed and CSA-certified cord set consisting of a minimum 18 AWG, Type SVT or SJT, three-conductor cord, a maximum of 15 feet in length and a parallel blade, grounding-type attachment plug rated 15 amperes, 125 volts.

For units intended to be operated at 230 volts (U.S. use): Use a UL-listed and CSA-certified cord set consisting of a minimum 18 AWG, Type SVT or SJT, three-conductor cord, a maximum of 15 feet in length and a tandem blade, grounding-type attachment plug rated 15 amperes, 250 volts.

For units intended to be operated at 230 volts (outside the U.S.): Use a cord set with a grounding-type attachment plug. The cord set should have the appropriate safety approvals for the country in which the equipment will be installed.

IBM power cords for a specific country or region are usually available only in that country or region.

Table 26. IBM power cords

IBM power cord part number	Feature code	Description	Used in these countries or regions
39Y7931	9800	Power Cord (125v, 10A, 4.3m)	Antigua and Barbuda, Aruba, Bahamas, Barbados, Belize, Bermuda, Bolivia, Cayman Islands, Costa Rica, Columbia, Cuba, Dominican Republic, Ecuador, El Salvador, Guam, Guatemala, Haiti, Honduras, Jamaica, Mexico, Micronesia (Federal States of), Netherlands Antilles, Nicaragua, Panama, Peru, Philippines, Saudi Arabia, Thailand, Turks and Caicos Islands, United States, Venezuela

Table 26. IBM power cords (continued)

IBM power cord part number	Feature code	Description	Used in these countries or regions
39Y7917	9820	Power Cord (250v, 10A, 2.8m)	Afghanistan, Albania, Algeria, Andorra, Angola, Armenia, Austria, Azerbaijan, Belarus, Belgium, Benin, Bosnia and Herzegovina, Bulgaria, Burkina Faso, Burundi, Cambodia, Cameroon, Cape Verde, Central African Republic, Chad, Comoros, Congo (Democratic Republic of), Congo (Republic of), Cote D'Ivoire (Ivory Coast), Croatia (Republic of), Czech Rep, Dahomey, Djibouti, Egypt, Equatorial Guinea, Eritrea, Estonia, Ethiopia, Finland, France, French Guyana, French Polynesia, Gabon, Georgia, Germany, Greece, Guadeloupe, Guinea, Guinea Bissau, Hungary, Iceland, Indonesia, Iran, Kazakhstan, Kyrgyzstan, Laos (Peoples Democratic Republic of), Latvia, Lebanon, Lithuania, Luxembourg, Macedonia (former Yugoslav Republic of), Madagascar, Mali, Martinique, Mauritania, Mauritius, Mayotte, Moldova (Republic of), Monaco, Mongolia, Morocco, Mozambique, Netherlands, New Caledonia, Niger, Norway, Poland, Portugal, Reunion, Romania, Russian Federation Rwanda, Sao Tome and Principe, Saudi Arabia, Senegal, Serbia, Slovakia, Slovenia (Republic of), Somalia, Spain, Suriname, Sweden, Syrian Arab Republic, Tajikistan, Tahiti, Togo, Tunisia, Turkey, Turkmenistan, Ukraine, Upper Volta, Uzbekistan, Vanuatu, Vietnam, Wallis and Futuna, Yugoslavia (Federal Republic of), Zaire
39Y7918	9821	Power Cord (250v, 10A, 2.8m)	Denmark

Table 26. IBM power cords (continued)

IBM power cord part number	Feature code	Description	Used in these countries or regions
39Y7923	9825	Power Cord (250v, 10A, 2.8m)	Abu Dhabi, Bahrain, Botswana, Brunei Darussalam, Channel Islands, Cyprus, Dominica, Gambia, Ghana, Grenada, Guyana, Hong Kong, Iraq, Ireland, Jordan, Kenya, Kuwait, Liberia, Malawi, Malaysia, Malta, Myanmar (Burma), Nigeria, Oman, Qatar, Saint Kitts & Nevis, Saint Lucia, Saint Vincent and the Grenadines, Seychelles, Sierra Leone, Singapore, Sudan, Tanzania (United Republic of), Trinidad & Tobago, United Arab Emirates (Dubai), United Kingdom, Yemen, Zambia, Zimbabwe
39Y7920	9827	Power Cord (250v, 10A, 2.8m)	Israel
39Y7919	9828	Power Cord (250v, 10A, 2.8m)	Liechtenstein, Switzerland
39Y7922	9829	Power Cord (250v, 10A, 2.8m)	Bangladesh, Lesotho, Maceo, Maldives, Namibia, Nepal, Pakistan, Samoa, South Africa, Sri Lanka, Swaziland, Uganda
39Y7925	9845	Power Cord (250v, 12A, 2.8m)	Korea (Democratic Peoples Republic of)
39Y7921	9830	Power Cord (250v, 10A, 2.8m)	Chile, Italy, Libyan Arab Jamahiriya
39M7924	9831	Power Cord (250v, 10A, 2.8m)	Australia, Fiji, Kiribati, Nauru, New Zealand, Papua New Guinea
39Y7930	9834	Power Cord (250v, 10A, 2.8m)	Argentina, Paraguay, Uruguay
39Y7928	9840	Power Cord (250v, 10A, 2.8m)	China
39M2830	9841	Power Cord 1.8m long	Taiwan
39Y7929	9842	Power Cord (125v, 10A, 2.8m)	Brazil
39Y7927	9843	Power Cord (250v, 10A, 2.8m)	India
39Y7926	9844	Power Cord (125v, 10A, 4.3m)	Japan
N/A	9986	Power Cord (125v, 10A, 1.8m) - US/Chicago	



## Appendix E. Additional System Storage DS documentation

The following tables present an overview of the IBM System Storage DS Storage Manager, Storage Subsystem, and Storage Expansion Enclosure product libraries, as well as other related documents. Each table lists documents that are included in the libraries and what common tasks they address.

You can access the documents listed in these tables at both of the following Web sites:

[www.ibm.com/servers/storage/support/disk/](http://www.ibm.com/servers/storage/support/disk/)

[www.ibm.com/shop/publications/order/](http://www.ibm.com/shop/publications/order/)

### DS Storage Manager Version 10 library

Table 27 associates each document in the DS Version 10 Storage Manager library with its related common user tasks.

Table 27. DS Storage Manager Version 10 titles by user tasks

Title	User tasks					
	Planning	Hardware installation	Software installation	Configuration	Operation and administration	Diagnosis and maintenance
<i>IBM System Storage DS Storage Manager Version 10 Installation and Host Support Guide (all operating systems)</i>	✓		✓	✓		
<i>IBM System Storage DS3000, DS4000, and DS5000 Command Line Interface and Script Commands Programming Guide</i>				✓	✓	✓
<i>IBM System Storage DS Storage Manager Version 10 Copy Services User's Guide</i>	✓		✓	✓	✓	
<i>IBM System Storage DS4000/DS5000 Fibre Channel and Serial ATA Intermix Premium Feature Installation Overview</i>	✓	✓	✓	✓		

## DS5100 and DS5300 Storage Subsystem library

Table 28 associates each document in the DS5100 and DS5300 Storage Subsystem library with its related common user tasks.

Table 28. DS5100 and DS5300 Storage Subsystem document titles by user tasks

Title	User Tasks					
	Planning	Hardware Installation	Software Installation	Configuration	Operation and Administration	Diagnosis and Maintenance
<i>IBM System Storage DS5100 and DS5300 Storage Subsystem Installation, User's and Maintenance Guide</i>	✓	✓		✓	✓	✓
<i>IBM System Storage Quick Start Guide, Quick Reference for DS5100 and DS5300 Storage Subsystems, and for the EXP520 Storage Expansion Enclosure</i>		✓	✓	✓		
<i>IBM System Storage DS5000 EXP520 Storage Expansion Enclosure Installation, User's, and Maintenance Guide</i>						
<i>Installing or replacing a DS5000 Cache and Flash Memory Card</i>	✓	✓		✓		
<i>Installing or replacing a DS5000 Host Interface Card</i>	✓	✓		✓		

## DS5020 Storage Subsystem library

Table 29 associates each document in the DS5020 Storage Subsystem library with its related common user tasks.

Table 29. DS5020 Storage Subsystem document titles by user tasks

Title	User Tasks					
	Planning	Hardware Installation	Software Installation	Configuration	Operation and Administration	Diagnosis and Maintenance
<i>IBM System Storage DS5020 Storage Subsystem Installation, User's and Maintenance Guide</i>	✓	✓		✓	✓	✓



Table 29. DS5020 Storage Subsystem document titles by user tasks (continued)

Title	User Tasks					
	Planning	Hardware Installation	Software Installation	Configuration	Operation and Administration	Diagnosis and Maintenance
<i>IBM System Storage Quick Start Guide, Quick Reference for DS5020 Storage Subsystems, and for the EXP520 Storage Expansion Enclosure</i>		✓	✓	✓		

## DS4800 Storage Subsystem library

Table 30 associates each document in the DS4800 Storage Subsystem library with its related common user tasks.

Table 30. DS4800 Storage Subsystem document titles by user tasks

Title	User Tasks					
	Planning	Hardware Installation	Software Installation	Configuration	Operation and Administration	Diagnosis and Maintenance
<i>IBM System Storage DS4800 Storage Subsystem Installation, User's and Maintenance Guide</i>	✓	✓		✓	✓	✓
<i>IBM System Storage Quick Start Guide, Quick Reference for the DS4800</i>		✓	✓	✓		
<i>IBM TotalStorage DS4800 Controller Cache Upgrade Kit Instructions</i>	✓	✓		✓		

## DS4700 Storage Subsystem library

Table 31 associates each document in the DS4700 Storage Subsystem library with its related common user tasks.

Table 31. DS4700 Storage Subsystem document titles by user tasks

Title	User Tasks					
	Planning	Hardware Installation	Software Installation	Configuration	Operation and Administration	Diagnosis and Maintenance
<i>IBM System Storage DS4700 Storage Subsystem Installation, User's and Maintenance Guide</i>	✓	✓		✓	✓	✓
<i>IBM System Storage Quick Start Guide, Quick Reference for the DS4700 and DS4200, Sections 2, 3, and 4 also for installing the EXP810 and EXP420</i>		✓	✓	✓		

---

## DS4500 Storage Subsystem library

Table 32 associates each document in the DS4500 Storage Subsystem library with its related common user tasks.

Table 32. DS4500 Storage Subsystem document titles by user tasks

Title	User Tasks					
	Planning	Hardware Installation	Software Installation	Configuration	Operation and Administration	Diagnosis and Maintenance
<i>IBM TotalStorage DS4500 Storage Subsystem Installation, User's, and Maintenance Guide</i>	✓	✓		✓	✓	✓
<i>IBM TotalStorage DS4500 Storage Subsystem Cabling Instructions</i>	✓	✓				
<i>IBM TotalStorage DS4500 Rack Mounting Instructions</i>	✓	✓				

## DS4400 Storage Subsystem library

Table 33 associates each document in the DS4400 Storage Subsystem library with its related common user tasks.

Table 33. DS4400 Storage Subsystem document titles by user tasks

Title	User Tasks					
	Planning	Hardware Installation	Software Installation	Configuration	Operation and Administration	Diagnosis and Maintenance
<i>IBM TotalStorage DS4400 Fibre Channel Storage Server User's Guide</i>	✓	✓		✓	✓	✓
<i>IBM TotalStorage DS4400 Fibre Channel Storage Server Installation and Support Guide</i>	✓	✓		✓	✓	
<i>IBM TotalStorage DS4400 Fibre Channel Cabling Instructions</i>	✓	✓				

## DS4300 Storage Subsystem library

Table 34 associates each document in the DS4300 Storage Subsystem library with its related common user tasks.

Table 34. DS4300 Storage Subsystem document titles by user tasks

Title	User Tasks					
	Planning	Hardware Installation	Software Installation	Configuration	Operation and Administration	Diagnosis and Maintenance
<i>IBM TotalStorage DS4300 Storage Subsystem Installation, User's, and Maintenance Guide</i>	✓	✓		✓	✓	✓
<i>IBM TotalStorage DS4300 Rack Mounting Instructions</i>	✓	✓				
<i>IBM TotalStorage DS4300 Storage Subsystem Cabling Instructions</i>	✓	✓				
<i>IBM TotalStorage DS4300 SCU Base Upgrade Kit</i>		✓	✓			
<i>IBM TotalStorage DS4300 SCU Turbo Upgrade Kit</i>		✓	✓			
<i>IBM TotalStorage DS4300 Turbo Models 6LU/6LX Upgrade Kit</i>		✓	✓			

## DS4200 Express Storage Subsystem library

Table 35 associates each document in the DS4200 Express Storage Subsystem library with its related common user tasks.

Table 35. DS4200 Express Storage Subsystem document titles by user tasks

Title	User Tasks					
	Planning	Hardware Installation	Software Installation	Configuration	Operation and Administration	Diagnosis and Maintenance
<i>IBM System Storage DS4200 Express Storage Subsystem Installation, User's and Maintenance Guide</i>	✓	✓		✓	✓	✓
<i>IBM System Storage Quick Start Guide, Quick Reference for the DS4700 and DS4200, Sections 2, 3, and 4 also for installing the EXP810 and EXP420</i>		✓	✓	✓		

---

## DS4100 Storage Subsystem library

Table 36 associates each document in the DS4100 Storage Subsystem library with its related common user tasks.

Table 36. DS4100 Storage Subsystem document titles by user tasks

Title	User Tasks					
	Planning	Hardware Installation	Software Installation	Configuration	Operation and Administration	Diagnosis and Maintenance
<i>IBM TotalStorage DS4100 Storage Server Installation, User's and Maintenance Guide</i>	✓	✓		✓	✓	✓
<i>IBM TotalStorage DS4100 Storage Server Cabling Guide</i>		✓				

## DS5000 Storage Expansion Enclosure documents

Table 37 associates each of the following documents with its related common user tasks.

Table 37. DS5000 Storage Expansion Enclosure document titles by user tasks

Title	User Tasks					
	Planning	Hardware Installation	Software Installation	Configuration	Operation and Administration	Diagnosis and Maintenance
<i>IBM System Storage DS5000 EXP520 Storage Expansion Enclosure Installation, User's, and Maintenance Guide</i>	✓	✓		✓	✓	✓
<i>IBM System Storage Quick Start Guide, Quick Reference for DS5100 and DS5300 Storage Subsystems, and for the EXP520 Storage Expansion Enclosure</i>		✓	✓	✓		
<i>IBM System Storage DS4000/DS5000 Hard Drive and Storage Expansion Enclosure Installation and Migration Guide</i>	✓	✓				

## DS5000 Storage Expansion Enclosure documents

Table 38 associates each of the following documents with its related common user tasks.

Table 38. DS5000 Storage Expansion Enclosure document titles by user tasks

Title	User Tasks					
	Planning	Hardware Installation	Software Installation	Configuration	Operation and Administration	Diagnosis and Maintenance
<i>IBM System Storage DS5000 EXP810 Storage Expansion Enclosure Installation, User's, and Maintenance Guide</i>	✓	✓		✓	✓	✓



Table 38. DS5000 Storage Expansion Enclosure document titles by user tasks (continued)

Title	User Tasks					
	Planning	Hardware Installation	Software Installation	Configuration	Operation and Administration	Diagnosis and Maintenance
<i>IBM System Storage Quick Start Guide, Quick Reference for the DS4700 and DS4200, Sections 2, 3, and 4 also for installing the EXP810 and EXP420</i>		✓	✓	✓		
<i>IBM TotalStorage DS5000 EXP700 and EXP710 Storage Expansion Enclosures Installation, User's, and Maintenance Guide</i>	✓	✓		✓	✓	✓
<i>IBM EXP500 Installation and User's Guide</i>	✓	✓		✓	✓	✓
<i>IBM System Storage DS5000 EXP420 Storage Expansion Enclosure Installation, User's, and Maintenance Guide</i>	✓	✓		✓	✓	✓
<i>IBM System Storage DS5000 Hard Drive and Storage Expansion Enclosures Installation and Migration Guide</i>	✓	✓				

## Other DS and DS-related documents

Table 39 associates each of the following documents with its related common user tasks.

Table 39. DS5000 and DS5000–related document titles by user tasks

Title	User Tasks					
	Planning	Hardware Installation	Software Installation	Configuration	Operation and Administration	Diagnosis and Maintenance
<i>IBM Safety Information</i>					✓	
<i>IBM TotalStorage DS5000 Hardware Maintenance Manual</i> 1						✓
<i>IBM System Storage DS5000 Problem Determination Guide</i>						✓
<i>IBM Fibre Channel Planning and Integration: User's Guide and Service Information</i>	✓	✓			✓	✓
<i>IBM TotalStorage DS5000 FC2-133 Host Bus Adapter Installation and User's Guide</i>		✓			✓	
<i>IBM TotalStorage DS5000 FC2-133 Dual Port Host Bus Adapter Installation and User's Guide</i>		✓			✓	
<i>IBM Netfinity® Fibre Channel Cabling Instructions</i>		✓				
<i>IBM Fibre Channel SAN Configuration Setup Guide</i>	✓		✓	✓	✓	

**Note:** The *IBM TotalStorage DS4000 Hardware Maintenance Manual* does not contain maintenance information for the IBM System Storage DS4100, DS4200, DS4300, DS4500, DS4700, or DS4800 storage subsystems. You can find maintenance information for these products in the *IBM System Storage DSx000 Storage Subsystem Installation, User's, and Maintenance Guide* for the particular subsystem.

## Appendix F. Accessibility

This section provides information about alternate keyboard navigation, which is a DS Storage Manager accessibility feature. Accessibility features help a user who has a physical disability, such as restricted mobility or limited vision, to use software products successfully.

By using the alternate keyboard operations that are described in this section, you can use keys or key combinations to perform Storage Manager tasks and initiate many menu actions that can also be done with a mouse.

**Note:** In addition to the keyboard operations that are described in this section, the DS Storage Manager version 9.14 - 10.10 (and later) software installation packages for Windows include a screen reader software interface.

To enable the screen reader, select **Custom Installation** when using the installation wizard to install Storage Manager 9.14 - 10.10 (or later) on a Windows host/management station. Then, in the Select Product Features window, select **Java Access Bridge**, in addition to the other required host software components.

Table 40 defines the keyboard operations that enable you to navigate, select, or activate user interface components. The following terms are used in the table:

- *Navigate* means to move the input focus from one user interface component to another.
- *Select* means to choose one or more components, typically for a subsequent action.
- *Activate* means to carry out the action of a particular component.

**Note:** In general, navigation between components requires the following keys:

- **Tab** - Moves keyboard focus to the next component or to the first member of the next group of components
- **Shift-Tab** - Moves keyboard focus to the previous component or to the first component in the previous group of components
- **Arrow keys** - Move keyboard focus within the individual components of a group of components

Table 40. DS4000 Storage Manager alternate keyboard operations

Short cut	Action
F1	Open the Help.
F10	Move keyboard focus to main menu bar and post first menu; use the arrow keys to navigate through the available options.
Alt+F4	Close the management window.
Alt+F6	Move keyboard focus between dialogs (non-modal) and between management windows.

Table 40. DS4000 Storage Manager alternate keyboard operations (continued)

Short cut	Action
Alt+ underlined letter	<p>Access menu items, buttons, and other interface components by using the keys associated with the underlined letters.</p> <p>For the menu options, select the Alt + underlined letter combination to access a main menu, and then select the underlined letter to access the individual menu item.</p> <p>For other interface components, use the Alt + underlined letter combination.</p>
Ctrl+F1	Display or conceal a tool tip when keyboard focus is on the toolbar.
Spacebar	Select an item or activate a hyperlink.
Ctrl+Spacebar (Contiguous/Non-contiguous) AMW Logical/Physical View	<p>Select multiple drives in the Physical View.</p> <p>To select multiple drives, select one drive by pressing Spacebar, and then press Tab to switch focus to the next drive you want to select; press Ctrl+Spacebar to select the drive.</p> <p>If you press Spacebar alone when multiple drives are selected then all selections are removed.</p> <p>Use the Ctrl+Spacebar combination to deselect a drive when multiple drives are selected.</p> <p>This behavior is the same for contiguous and non-contiguous selection of drives.</p>
End, Page Down	Move keyboard focus to the last item in the list.
Esc	Close the current dialog. Does not require keyboard focus.
Home, Page Up	Move keyboard focus to the first item in the list.
Shift+Tab	Move keyboard focus through components in the reverse direction.
Ctrl+Tab	Move keyboard focus from a table to the next user interface component.
Tab	Navigate keyboard focus between components or select a hyperlink.
Down arrow	Move keyboard focus down one item in the list.
Left arrow	Move keyboard focus to the left.
Right arrow	Move keyboard focus to the right.
Up arrow	Move keyboard focus up one item in the list.

---

## Notices

This information was developed for products and services offered in the U.S.A.

IBM may not offer the products, services, or features discussed in this document in other countries. Consult your local IBM representative for information on the products and services currently available in your area. Any reference to an IBM product, program, or service is not intended to state or imply that only that IBM product, program, or service may be used. Any functionally equivalent product, program, or service that does not infringe any IBM intellectual property right may be used instead. However, it is the user's responsibility to evaluate and verify the operation of any non-IBM product, program, or service.

IBM may have patents or pending patent applications covering subject matter described in this document. The furnishing of this document does not grant you any license to these patents. You can send license inquiries, in writing, to:

IBM Director of Licensing  
IBM Corporation  
North Castle Drive  
Armonk, NY 10504-1785  
U.S.A.

The following paragraph does not apply to the United Kingdom or any other country where such provisions are inconsistent with local law: INTERNATIONAL BUSINESS MACHINES CORPORATION PROVIDES THIS PUBLICATION "AS IS" WITHOUT WARRANTY OF ANY KIND, EITHER EXPRESS OR IMPLIED, INCLUDING, BUT NOT LIMITED TO, THE IMPLIED WARRANTIES OF NON-INFRINGEMENT, MERCHANTABILITY OR FITNESS FOR A PARTICULAR PURPOSE. Some states do not allow disclaimer of express or implied warranties in certain transactions, therefore, this statement may not apply to you.

This information could include technical inaccuracies or typographical errors. Changes are periodically made to the information herein; these changes will be incorporated in new editions of the publication. IBM may make improvements and/or changes in the product(s) and/or the program(s) described in this publication at any time without notice.

Any references in this information to non-IBM Web sites are provided for convenience only and do not in any manner serve as an endorsement of those Web sites. The materials at those Web sites are not part of the materials for this IBM product and use of those Web sites is at your own risk.

IBM may use or distribute any of the information you supply in any way it believes appropriate without incurring any obligation to you.

Any performance data contained herein was determined in a controlled environment. Therefore, the results obtained in other operating environments may vary significantly. Some measurements may have been made on development-level systems and there is no guarantee that these measurements will be the same on generally available systems. Furthermore, some measurements may have been estimated through extrapolation. Actual results may vary. Users of this document should verify the applicable data for their specific environment.

Information concerning non-IBM products was obtained from the suppliers of those products, their published announcements or other publicly available sources. IBM has not tested those products and cannot confirm the accuracy of performance, compatibility or any other claims related to non-IBM products. Questions on the capabilities of non-IBM products should be addressed to the suppliers of those products.

All statements regarding IBM's future direction or intent are subject to change or withdrawal without notice, and represent goals and objectives only.

All IBM prices shown are IBM's suggested retail prices, are current and are subject to change without notice. Dealer prices may vary.

This information is for planning purposes only. The information herein is subject to change before the products described become available.

This information contains examples of data and reports used in daily business operations. To illustrate them as completely as possible, the examples include the names of individuals, companies, brands, and products. All of these names are fictitious and any similarity to the names and addresses used by an actual business enterprise is entirely coincidental.

If you are viewing this information softcopy, the photographs and color illustrations may not appear.

---

## Trademarks

IBM, the IBM logo, and [ibm.com](http://www.ibm.com)<sup>®</sup> are trademarks or registered trademarks of International Business Machines Corp., registered in many jurisdictions worldwide. Other product and service names might be trademarks of IBM or other companies. A current list of IBM trademarks is available on the web at Copyright and trademark information at <http://www.ibm.com/legal/copytrade.shtml>.

Adobe, the Adobe logo, PostScript, and the PostScript logo are either registered trademarks or trademarks of Adobe Systems Incorporated in the United States, and/or other countries.

Intel, Intel logo, Intel Inside, Intel Inside logo, Intel Centrino, Intel Centrino logo, Celeron, Intel Xeon, Intel SpeedStep, Itanium, and Pentium are trademarks or registered trademarks of Intel Corporation or its subsidiaries in the United States and other countries.

Linux is a registered trademark of Linus Torvalds in the United States, other countries, or both.

Microsoft, Windows, Windows NT, and the Windows logo are trademarks of Microsoft Corporation in the United States, other countries, or both.

UNIX is a registered trademark of The Open Group in the United States and other countries.

Java and all Java-based trademarks and logos are trademarks or registered trademarks of Oracle and/or its affiliates.

---

## Important notes

Processor speed indicates the internal clock speed of the microprocessor; other factors also affect application performance.

CD or DVD drive speed is the variable read rate. Actual speeds vary and are often less than the possible maximum.

When referring to processor storage, real and virtual storage, or channel volume, KB stands for 1024 bytes, MB stands for 1 048 576 bytes, and GB stands for 1 073 741 824 bytes.

When referring to hard disk drive capacity or communications volume, MB stands for 1 000 000 bytes, and GB stands for 1 000 000 000 bytes. Total user-accessible capacity can vary depending on operating environments.

Maximum internal hard disk drive capacities assume the replacement of any standard hard disk drives and population of all hard disk drive bays with the largest currently supported drives that are available from IBM.

Maximum memory might require replacement of the standard memory with an optional memory module.

IBM makes no representation or warranties regarding non-IBM products and services that are ServerProven<sup>®</sup>, including but not limited to the implied warranties of merchantability and fitness for a particular purpose. These products are offered and warranted solely by third parties.

IBM makes no representations or warranties with respect to non-IBM products. Support (if any) for the non-IBM products is provided by the third party, not IBM.

Some software might differ from its retail version (if available) and might not include user manuals or all program functionality.

---

## Particulate contamination

**Attention:** Airborne particulates (including metal flakes or particles) and reactive gases acting alone or in combination with other environmental factors such as humidity or temperature might pose a risk to the storage expansion enclosure that is described in this document. Risks that are posed by the presence of excessive particulate levels or concentrations of harmful gases include damage that might cause the storage expansion enclosure to malfunction or cease functioning altogether. This specification sets forth limits for particulates and gases that are intended to avoid such damage. The limits must not be viewed or used as definitive limits, because numerous other factors, such as temperature or moisture content of the air, can influence the impact of particulates or environmental corrosives and gaseous contaminant transfer. In the absence of specific limits that are set forth in this document, you must implement practices that maintain particulate and gas levels that are consistent with the protection of human health and safety. If IBM determines that the levels of particulates or gases in your environment have caused damage to the storage expansion enclosure, IBM may condition provision of repair or replacement of storage expansion enclosure or parts on implementation of appropriate remedial measures to mitigate such environmental contamination. Implementation of such remedial measures is a customer responsibility.

Table 41. Limits for particulates and gases

Contaminant	Limits
Particulate	<ul style="list-style-type: none"> <li>The room air must be continuously filtered with 40% atmospheric dust spot efficiency (MERV 9) according to ASHRAE Standard 52.2<sup>1</sup>.</li> <li>Air that enters a data center must be filtered to 99.97% efficiency or greater, using high-efficiency particulate air (HEPA) filters that meet MIL-STD-282.</li> <li>The deliquescent relative humidity of the particulate contamination must be more than 60%<sup>2</sup>.</li> <li>The room must be free of conductive contamination such as zinc whiskers.</li> </ul>
Gaseous	<ul style="list-style-type: none"> <li>Copper: Class G1 as per ANSI/ISA 71.04-1985<sup>3</sup></li> <li>Silver: Corrosion rate of less than 300 Å in 30 days</li> </ul>
<p><sup>1</sup> ASHRAE 52.2-2008 - <i>Method of Testing General Ventilation Air-Cleaning Devices for Removal Efficiency by Particle Size</i>. Atlanta: American Society of Heating, Refrigerating and Air-Conditioning Engineers, Inc.</p> <p><sup>2</sup> The deliquescent relative humidity of particulate contamination is the relative humidity at which the dust absorbs enough water to become wet and promote ionic conduction.</p> <p><sup>3</sup> ANSI/ISA-71.04-1985. <i>Environmental conditions for process measurement and control systems: Airborne contaminants</i>. Instrument Society of America, Research Triangle Park, North Carolina, U.S.A.</p>	

---

## Documentation format

The publications for this product are in Adobe Portable Document Format (PDF) and should be compliant with accessibility standards. If you experience difficulties when you use the PDF files and want to request a Web-based format or accessible PDF document for a publication, direct your mail to the following address:

*Information Development  
 IBM Corporation  
 205/A015  
 3039 E. Cornwallis Road  
 P.O. Box 12195  
 Research Triangle Park, North Carolina 27709-2195  
 U.S.A.*

In the request, be sure to include the publication part number and title.

When you send information to IBM, you grant IBM a nonexclusive right to use or distribute the information in any way it believes appropriate without incurring any obligation to you.

---

## Electronic emission notices

The following statements apply to this product. The statements for other products intended for use with this product will appear in their accompanying manuals.

## Federal Communications Commission (FCC) Class A Statement

This equipment has been tested and complies with the limits for a Class A digital device, pursuant to Part 15 of the FCC Rules. These limits are designed to provide reasonable protection against harmful interference when the equipment is operated in a commercial environment. This equipment generates, uses, and can radiate radio frequency energy and, if not installed and used in accordance with the



instruction manual, may cause harmful interference to radio communications. Operation of this equipment in a residential area is likely to cause harmful interference, in which case the user will be required to correct the interference at his own expense.

Properly shielded and grounded cables and connectors must be used in order to meet FCC emission limits. IBM is not responsible for any radio or television interference caused by using other than recommended cables and connectors or by unauthorized changes or modifications to this equipment. Unauthorized changes or modifications could void the user's authority to operate the equipment.

This device complies with Part 15 of the FCC Rules. Operation is subject to the following two conditions: (1) this device may not cause harmful interference, and (2) this device must accept any interference received, including interference that may cause undesired operation.

## **Industry Canada Class A Emission Compliance Statement**

This Class A digital apparatus complies with Canadian ICES-003.

## **Avis de conformité à la réglementation d'Industrie Canada**

Cet appareil numérique de la classe A est conforme à la norme NMB-003 du Canada.

## **Australia and New Zealand Class A Statement**

**Attention:** This is a Class A product. In a domestic environment this product might cause radio interference in which case the user might be required to take adequate measures.

## **European Union EMC Directive Conformance Statement**

This product is in conformity with the protection requirements of EU Council Directive 2004/108/EC on the approximation of the laws of the Member States relating to electromagnetic compatibility. IBM cannot accept responsibility for any failure to satisfy the protection requirements resulting from a non-recommended modification of the product, including the fitting of non-IBM option cards.

**Attention:** This is an EN55022 Class A product. In a domestic environment this product may cause radio interference in which case the user may be required to take adequate measures.

Responsible manufacturer:  
International Business Machines Corp.  
New Orchard Road  
Armonk, New York 10504  
Tel: 919-499-1900

European community contact:  
IBM Deutschland GmbH  
Technical Regulations, Department M372  
IBM-Allee 1, 71139 Ehningen, Germany  
Tele: +49 7032 15 2941  
e-mail: lugi@de.ibm.com

## Germany Electromagnetic Compatibility Directive

### Deutschsprachiger EU Hinweis:

#### **Hinweis für Geräte der Klasse A EU-Richtlinie zur Elektromagnetischen Verträglichkeit**

Dieses Produkt entspricht den Schutzanforderungen der EU-Richtlinie 2004/108/EG zur Angleichung der Rechtsvorschriften über die elektromagnetische Verträglichkeit in den EU-Mitgliedsstaaten und hält die Grenzwerte der EN 55022 Klasse A ein.

Um dieses sicherzustellen, sind die Geräte wie in den Handbüchern beschrieben zu installieren und zu betreiben. Des Weiteren dürfen auch nur von der IBM empfohlene Kabel angeschlossen werden. IBM übernimmt keine Verantwortung für die Einhaltung der Schutzanforderungen, wenn das Produkt ohne Zustimmung der IBM verändert bzw. wenn Erweiterungskomponenten von Fremdherstellern ohne Empfehlung der IBM gesteckt/eingebaut werden.

EN 55022 Klasse A Geräte müssen mit folgendem Warnhinweis versehen werden: "Warnung: Dieses ist eine Einrichtung der Klasse A. Diese Einrichtung kann im Wohnbereich Funk-Störungen verursachen; in diesem Fall kann vom Betreiber verlangt werden, angemessene Maßnahmen zu ergreifen und dafür aufzukommen."

#### **Deutschland: Einhaltung des Gesetzes über die elektromagnetische Verträglichkeit von Geräten**

Dieses Produkt entspricht dem "Gesetz über die elektromagnetische Verträglichkeit von Geräten (EMVG)". Dies ist die Umsetzung der EU-Richtlinie 2004/108/EG in der Bundesrepublik Deutschland.

#### **Zulassungsbescheinigung laut dem Deutschen Gesetz über die elektromagnetische Verträglichkeit von Geräten (EMVG) (bzw. der EMC EG Richtlinie 2004/108/EG) für Geräte der Klasse A**

Dieses Gerät ist berechtigt, in Übereinstimmung mit dem Deutschen EMVG das EG-Konformitätszeichen - CE - zu führen.

Verantwortlich für die Einhaltung der EMV Vorschriften ist der Hersteller:  
International Business Machines Corp.  
New Orchard Road  
Armonk, New York 10504  
Tel: 919-499-1900

Der verantwortliche Ansprechpartner des Herstellers in der EU ist:  
IBM Deutschland GmbH  
Technical Regulations, Abteilung M372  
IBM-Allee 1, 71139 Ehningen, Germany  
Tele: +049 7032 15 2941  
e-mail: lugi@de.ibm.com

#### **Generelle Informationen:**

**Das Gerät erfüllt die Schutzanforderungen nach EN 55024 und EN 55022 Klasse A.**

## Japan Voluntary Control Council for Interference (VCCI) Class A Statement

この装置は、クラス A 情報技術装置です。この装置を家庭環境で使用する  
と電波妨害を引き起こすことがあります。この場合には使用者が適切な対策  
を講ずるよう要求されることがあります。 VCCI-A

**Translation:** This is a Class A product based on the standard of the VCCI Council.  
If this equipment is used in a domestic environment, radio interference may occur,  
in which case, the user may be required to take corrective actions.

## Japan Electronics and Information Technology Industries Association (JEITA) Statement

Japanese Electronics and Information Technology Industries Association (JEITA)  
Confirmed Harmonics Guideline (products less than or equal to 20 A per phase).

高調波ガイドライン適合品

jeita 1

## Korea Communications Commission (KCC) Class A Statement

Please note that this equipment has obtained EMC registration for commercial use.  
In the event that it has been mistakenly sold or purchased, please exchange it for  
equipment certified for home use.

이 기기는 업무용(A급)으로 전자파적합기기로서 판매자 또는 사용자는 이 점을 주의하시기  
바라며, 가정외의 지역에서 사용하는 것을 목  
적으로 합니다.

## Russia Electromagnetic Interference (EMI) Class A Statement

ВНИМАНИЕ! Настоящее изделие относится к классу А.  
В жилых помещениях оно может создавать  
радиопомехи, для снижения которых необходимы  
дополнительные меры

rusemi

# People's Republic of China Class A Electronic Emission Statement

中华人民共和国“A类”警告声明

声明

此为A级产品，在生活环境中，该产品可能会造成无线电干扰。在这种情况下，可能需要用户对其干扰采取切实可行的措施。

## Taiwan Class A Electronic Emission Statement

警告使用者：  
這是甲類的資訊產品，在  
居住的環境中使用時，可  
能會造成射頻干擾，在這  
種情況下，使用者會被要  
求採取某些適當的對策。

taitemi

## Taiwan Contact Information

IBM Taiwan Product Service Contact Info:  
IBM Taiwan Corporation  
3F, No 7, Song Ren Rd., Taipei Taiwan  
Tel: 0800-016-888

台灣IBM 產品服務聯絡方式：  
台灣國際商業機器股份有限公司  
台北市松仁路7號3樓  
電話：0800-016-888

12c00790

---

## Glossary

This glossary defines the special terms, abbreviations, and acronyms used in this publication and other related publications. If you do not find the term you are looking for, see the IBM Glossary of Computing Terms located at the following Web site:

[www.ibm.com/ibm/terminology](http://www.ibm.com/ibm/terminology)

The following cross-reference conventions are used in this glossary:

**See** Refers you to (a) a term that is the expanded form of an abbreviation or acronym, or (b) a synonym or more preferred term.

**See also**

Refers you to a related term.

**Abstract Windowing Toolkit (AWT).** A Java graphical user interface (GUI).

**accelerated graphics port (AGP).** A bus specification that gives low-cost 3D graphics cards faster access to main memory on personal computers than the usual peripheral component interconnect (PCI) bus. AGP reduces the overall cost of creating high-end graphics subsystems by using existing system memory.

**access volume.** A special logical drive that allows the host-agent to communicate with the controllers in the storage subsystem.

**adapter.** A printed circuit assembly that transmits user data input/output (I/O) between the internal bus of the host system and the external fibre-channel (FC) link and vice versa. Also called an I/O adapter, host adapter, or FC adapter.

**advanced technology (AT) bus architecture.** A bus standard for IBM compatibles. It extends the XT bus architecture to 16 bits and also allows for bus mastering, although only the first 16 MB of main memory are available for direct access.

**agent.** A server program that receives virtual connections from the network manager (the client program) in a Simple Network Management Protocol-Transmission Control Protocol/Internet Protocol (SNMP-TCP/IP) network-managing environment.

**AGP.** See *accelerated graphics port*.

**AL\_PA.** See *arbitrated loop physical address*.

**arbitrated loop.** One of three existing fibre-channel topologies, in which 2 - 126 ports are interconnected serially in a single loop circuit. Access to the Fibre

Channel Arbitrated Loop (FC-AL) is controlled by an arbitration scheme. The FC-AL topology supports all classes of service and guarantees in-order delivery of FC frames when the originator and responder are on the same FC-AL. The default topology for the disk array is arbitrated loop. An arbitrated loop is sometimes referred to as a Stealth Mode.

**arbitrated loop physical address (AL\_PA).** An 8-bit value that is used to uniquely identify an individual port within a loop. A loop can have one or more AL\_PAs.

**array.** A collection of fibre-channel or SATA hard drives that are logically grouped together. All the drives in the array are assigned the same RAID level. An array is sometimes referred to as a "RAID set." See also *redundant array of independent disks (RAID)*, *RAID level*.

**asynchronous write mode.** In remote mirroring, an option that allows the primary controller to return a write I/O request completion to the host server before data has been successfully written by the secondary controller. See also *synchronous write mode*, *remote mirroring*, *Global Copy*, *Global Mirroring*.

**AT.** See *advanced technology (AT) bus architecture*.

**ATA.** See *AT-attached*.

**AT-attached.** Peripheral devices that are compatible with the original IBM AT computer standard in which signals on a 40-pin AT-attached (ATA) ribbon cable followed the timings and constraints of the Industry Standard Architecture (ISA) system bus on the IBM PC AT computer. Equivalent to integrated drive electronics (IDE).

**auto-volume transfer/auto-disk transfer (AVT/ADT).** A function that provides automatic failover in case of controller failure on a storage subsystem.

**AVT/ADT.** See *auto-volume transfer/auto-disk transfer*.

**AWT.** See *Abstract Windowing Toolkit*.

**basic input/output system (BIOS).** The personal computer code that controls basic hardware operations, such as interactions with diskette drives, hard disk drives, and the keyboard.

**BIOS.** See *basic input/output system*.

**BOOTP.** See *bootstrap protocol*.

**bootstrap protocol (BOOTP).** In Transmission Control Protocol/Internet Protocol (TCP/IP) networking, an alternative protocol by which a diskless machine can obtain its Internet Protocol (IP) address and such

configuration information as IP addresses of various servers from a BOOTP server.

**bridge.** A storage area network (SAN) device that provides physical and transport conversion, such as fibre channel to small computer system interface (SCSI) bridge.

**bridge group.** A bridge and the collection of devices connected to it.

**broadcast.** The simultaneous transmission of data to more than one destination.

**cathode ray tube (CRT).** A display device in which controlled electron beams are used to display alphanumeric or graphical data on an electroluminescent screen.

**client.** A computer system or process that requests a service of another computer system or process that is typically referred to as a server. Multiple clients can share access to a common server.

**command.** A statement used to initiate an action or start a service. A command consists of the command name abbreviation, and its parameters and flags if applicable. A command can be issued by typing it on a command line or selecting it from a menu.

**community string.** The name of a community contained in each Simple Network Management Protocol (SNMP) message.

**concurrent download.** A method of downloading and installing firmware that does not require the user to stop I/O to the controllers during the process.

**CRC.** See *cyclic redundancy check*.

**CRT.** See *cathode ray tube*.

**CRU.** See *customer replaceable unit*.

**customer replaceable unit (CRU).** An assembly or part that a customer can replace in its entirety when any of its components fail. Contrast with *field replaceable unit (FRU)*.

**cyclic redundancy check (CRC).** (1) A redundancy check in which the check key is generated by a cyclic algorithm. (2) An error detection technique performed at both the sending and receiving stations.

**dac.** See *disk array controller*.

**dar.** See *disk array router*.

**DASD.** See *direct access storage device*.

**data striping.** See *striping*.

**default host group.** A logical collection of discovered host ports, defined host computers, and defined host groups in the storage-partition topology that fulfill the following requirements:

- Are not involved in specific logical drive-to-LUN mappings
- Share access to logical drives with default logical drive-to-LUN mappings

**device type.** Identifier used to place devices in the physical map, such as the switch, hub, or storage.

**DHCP.** See *Dynamic Host Configuration Protocol*.

**direct access storage device (DASD).** A device in which access time is effectively independent of the location of the data. Information is entered and retrieved without reference to previously accessed data. (For example, a disk drive is a DASD, in contrast with a tape drive, which stores data as a linear sequence.) DASDs include both fixed and removable storage devices.

**direct memory access (DMA).** The transfer of data between memory and an input/output (I/O) device without processor intervention.

**disk array controller (dac).** A disk array controller device that represents the two controllers of an array. See also *disk array router*.

**disk array router (dar).** A disk array router that represents an entire array, including current and deferred paths to all logical unit numbers (LUNs) (hdisks on AIX). See also *disk array controller*.

**DMA.** See *direct memory access*.

**domain.** The most significant byte in the node port (N\_port) identifier for the fibre-channel (FC) device. It is not used in the fibre channel-small computer system interface (FC-SCSI) hardware path ID. It is required to be the same for all SCSI targets logically connected to an FC adapter.

**drive channels.** The DS4200, DS4700, DS4800, and DS5000 subsystems use dual-port drive channels that, from the physical point of view, are connected in the same way as two drive loops. However, from the point of view of the number of drives and enclosures, they are treated as a single drive loop instead of two different drive loops. A group of storage expansion enclosures are connected to the DS4000/DS5000 storage subsystems using a drive channel from each controller. This pair of drive channels is referred to as a redundant drive channel pair.

**drive loops.** A drive loop consists of one channel from each controller combined to form one pair of redundant drive channels or a redundant drive loop. Each drive loop is associated with two ports. Drive loops are more commonly referred to as drive channels. See *drive channels*.

**DRAM.** See *dynamic random access memory*.

**Dynamic Host Configuration Protocol (DHCP).** A protocol defined by the Internet Engineering Task Force that is used for dynamically assigning Internet Protocol (IP) addresses to computers in a network.

**dynamic random access memory (DRAM).** A storage in which the cells require repetitive application of control signals to retain stored data.

**ECC.** See *error correction coding*.

**EEPROM.** See *electrically erasable programmable read-only memory*.

**EISA.** See *Extended Industry Standard Architecture*.

**electrically erasable programmable read-only memory (EEPROM).** A type of memory chip which can retain its contents without consistent electrical power. Unlike the PROM which can be programmed only once, the EEPROM can be erased electrically. Because it can only be reprogrammed a limited number of times before it wears out, it is appropriate for storing small amounts of data that are changed infrequently.

**electrostatic discharge (ESD).** The flow of current that results when objects that have a static charge come into close enough proximity to discharge.

**environmental service module (ESM) canister.** A component in a storage expansion enclosure that monitors the environmental condition of the components in that enclosure. Not all storage subsystems have ESM canisters.

**E\_port.** See *expansion port*.

**error correction coding (ECC).** A method for encoding data so that transmission errors can be detected and corrected by examining the data on the receiving end. Most ECCs are characterized by the maximum number of errors they can detect and correct.

**ESD.** See *electrostatic discharge*.

**ESM canister.** See *environmental service module canister*.

**automatic ESM firmware synchronization.** When you install a new ESM into an existing storage expansion enclosure in a DS4000 storage subsystem that supports automatic ESM firmware synchronization, the firmware in the new ESM is automatically synchronized with the firmware in the existing ESM.

**EXP.** See *storage expansion enclosure*.

**expansion port (E\_port).** A port that connects the switches for two fabrics.

**Extended Industry Standard Architecture (EISA).** A bus standard for IBM compatibles that extends the

Industry Standard Architecture (ISA) bus architecture to 32 bits and allows more than one central processing unit (CPU) to share the bus. See also *Industry Standard Architecture*.

**fabric.** A fibre channel entity which interconnects and facilitates logins of N\_ports attached to it. The fabric is responsible for routing frames between source and destination N\_ports using address information in the frame header. A fabric can be as simple as a point-to-point channel between two N\_ports, or as complex as a frame-routing switch that provides multiple and redundant internal pathways within the fabric between F\_ports.

**fabric port (F\_port).** In a fabric, an access point for connecting a user's N\_port. An F\_port facilitates N\_port logins to the fabric from nodes connected to the fabric. An F\_port is addressable by the N\_port connected to it. See also *fabric*.

**FC.** See *Fibre Channel*.

**FC-AL.** See *arbitrated loop*.

**feature enable identifier.** A unique identifier for the storage subsystem, which is used in the process of generating a premium feature key. See also *premium feature key*.

**Fibre Channel (FC).** A set of standards for a serial input/output (I/O) bus capable of transferring data between two ports at up to 100 Mbps, with standards proposals to go to higher speeds. FC supports point-to-point, arbitrated loop, and switched topologies.

**Fibre Channel Arbitrated Loop (FC-AL).** See *arbitrated loop*.

**Fibre Channel Protocol (FCP) for small computer system interface (SCSI).** A high-level fibre-channel mapping layer (FC-4) that uses lower-level fibre-channel (FC-PH) services to transmit SCSI commands, data, and status information between a SCSI initiator and a SCSI target across the FC link by using FC frame and sequence formats.

**field replaceable unit (FRU).** An assembly that is replaced in its entirety when any one of its components fails. In some cases, a field replaceable unit might contain other field replaceable units. Contrast with *customer replaceable unit (CRU)*.

**FlashCopy.** A premium feature for DS5000 that can make an instantaneous copy of the data in a volume.

**F\_port.** See *fabric port*.

**FRU.** See *field replaceable unit*.

**GBIC.** See *gigabit interface converter*

**gigabit interface converter (GBIC).** A transceiver that performs serial, optical-to-electrical, and

electrical-to-optical signal conversions for high-speed networking. A GBIC can be hot swapped. See also *small form-factor pluggable*.

**Global Copy.** Refers to a remote logical drive mirror pair that is set up using asynchronous write mode without the write consistency group option. This is also referred to as "Asynchronous Mirroring without Consistency Group." Global Copy does not ensure that write requests to multiple primary logical drives are carried out in the same order on the secondary logical drives as they are on the primary logical drives. If it is critical that writes to the primary logical drives are carried out in the same order in the appropriate secondary logical drives, Global Mirroring should be used instead of Global Copy. See also *asynchronous write mode*, *Global Mirroring*, *remote mirroring*, *Metro Mirroring*.

**Global Mirroring.** Refers to a remote logical drive mirror pair that is set up using asynchronous write mode with the write consistency group option. This is also referred to as "Asynchronous Mirroring with Consistency Group." Global Mirroring ensures that write requests to multiple primary logical drives are carried out in the same order on the secondary logical drives as they are on the primary logical drives, preventing data on the secondary logical drives from becoming inconsistent with the data on the primary logical drives. See also *asynchronous write mode*, *Global Copy*, *remote mirroring*, *Metro Mirroring*.

**graphical user interface (GUI).** A type of computer interface that presents a visual metaphor of a real-world scene, often of a desktop, by combining high-resolution graphics, pointing devices, menu bars and other menus, overlapping windows, icons, and the object-action relationship.

**GUI.** See *graphical user interface*.

**HBA.** See *host bus adapter*.

**hdisk.** An AIX term representing a logical unit number (LUN) on an array.

**heterogeneous host environment.** A host system in which multiple host servers, which use different operating systems with their own unique disk storage subsystem settings, connect to the same DS5000 storage subsystem at the same time. See also *host*.

**host.** A system that is directly attached to the storage subsystem through a fibre-channel input/output (I/O) path. This system is used to serve data (typically in the form of files) from the storage subsystem. A system can be both a storage management station and a host simultaneously.

**host bus adapter (HBA).** An interface between the fibre-channel network and a workstation or server.

**host computer.** See *host*.

**host group.** An entity in the storage partition topology that defines a logical collection of host computers that require shared access to one or more logical drives.

**host port.** Ports that physically reside on the host adapters and are automatically discovered by the DS5000 Storage Manager software. To give a host computer access to a partition, its associated host ports must be defined.

**hot swap.** To replace a hardware component without turning off the system.

**hub.** In a network, a point at which circuits are either connected or switched. For example, in a star network, the hub is the central node; in a star/ring network, it is the location of wiring concentrators.

**IBMSAN driver.** The device driver that is used in a Novell NetWare environment to provide multipath input/output (I/O) support to the storage controller.

**IC.** See *integrated circuit*.

**IDE.** See *integrated drive electronics*.

**in-band.** Transmission of management protocol over the fibre-channel transport.

**Industry Standard Architecture (ISA).** Unofficial name for the bus architecture of the IBM PC/XT personal computer. This bus design included expansion slots for plugging in various adapter boards. Early versions had an 8-bit data path, later expanded to 16 bits. The "Extended Industry Standard Architecture" (EISA) further expanded the data path to 32 bits. See also *Extended Industry Standard Architecture*.

**initial program load (IPL).** The initialization procedure that causes an operating system to commence operation. Also referred to as a system restart, system startup, and boot.

**integrated circuit (IC).** A microelectronic semiconductor device that consists of many interconnected transistors and other components. ICs are constructed on a small rectangle cut from a silicon crystal or other semiconductor material. The small size of these circuits allows high speed, low power dissipation, and reduced manufacturing cost compared with board-level integration. Also known as a *chip*.

**integrated drive electronics (IDE).** A disk drive interface based on the 16-bit IBM personal computer Industry Standard Architecture (ISA) in which the controller electronics reside on the drive itself, eliminating the need for a separate adapter card. Also known as an Advanced Technology Attachment Interface (ATA).



**Internet Protocol (IP).** A protocol that routes data through a network or interconnected networks. IP acts as an intermediary between the higher protocol layers and the physical network.

**Internet Protocol (IP) address.** The unique 32-bit address that specifies the location of each device or workstation on the Internet. For example, 9.67.97.103 is an IP address.

**interrupt request (IRQ).** A type of input found on many processors that causes the processor to suspend normal processing temporarily and start running an interrupt handler routine. Some processors have several interrupt request inputs that allow different priority interrupts.

**IP.** See *Internet Protocol*.

**IPL.** See *initial program load*.

**IRQ.** See *interrupt request*.

**ISA.** See *Industry Standard Architecture*.

**Java Runtime Environment (JRE).** A subset of the Java Development Kit (JDK) for end users and developers who want to redistribute the Java Runtime Environment (JRE). The JRE consists of the Java virtual machine, the Java Core Classes, and supporting files.

**JRE.** See *Java Runtime Environment*.

**label.** A discovered or user entered property value that is displayed underneath each device in the Physical and Data Path maps.

**LAN.** See *local area network*.

**LBA.** See *logical block address*.

**local area network (LAN).** A computer network located on a user's premises within a limited geographic area.

**logical block address (LBA).** The address of a logical block. Logical block addresses are typically used in hosts' I/O commands. The SCSI disk command protocol, for example, uses logical block addresses.

**logical partition (LPAR).** (1) A subset of a single system that contains resources (processors, memory, and input/output devices). A logical partition operates as an independent system. If hardware requirements are met, multiple logical partitions can exist within a system. (2) A fixed-size portion of a logical volume. A logical partition is the same size as the physical partitions in its volume group. Unless the logical volume of which it is a part is mirrored, each logical partition corresponds to, and its contents are stored on, a single physical partition. (3) One to three physical partitions (copies). The number of logical partitions within a logical volume is variable.

**logical unit number (LUN).** An identifier used on a small computer system interface (SCSI) bus to distinguish among up to eight devices (logical units) with the same SCSI ID.

**loop address.** The unique ID of a node in fibre-channel loop topology sometimes referred to as a loop ID.

**loop group.** A collection of storage area network (SAN) devices that are interconnected serially in a single loop circuit.

**loop port.** A node port (N\_port) or fabric port (F\_port) that supports arbitrated loop functions associated with an arbitrated loop topology.

**LPAR.** See *logical partition*.

**LUN.** See *logical unit number*.

**MAC.** See *medium access control*.

**management information base (MIB).** The information that is on an agent. It is an abstraction of configuration and status information.

**man pages.** In UNIX-based operating systems, online documentation for operating system commands, subroutines, system calls, file formats, special files, stand-alone utilities, and miscellaneous facilities. Invoked by the **man** command.

**MCA.** See *micro channel architecture*.

**media scan.** A media scan is a background process that runs on all logical drives in the storage subsystem for which it has been enabled, providing error detection on the drive media. The media scan process scans all logical drive data to verify that it can be accessed, and optionally scans the logical drive redundancy information.

**medium access control (MAC).** In local area networks (LANs), the sublayer of the data link control layer that supports medium-dependent functions and uses the services of the physical layer to provide services to the logical link control sublayer. The MAC sublayer includes the method of determining when a device has access to the transmission medium.

**Metro Mirroring.** This term is used to refer to a remote logical drive mirror pair which is set up with synchronous write mode. See also *remote mirroring*, *Global Mirroring*.

**MIB.** See *management information base*.

**micro channel architecture (MCA).** Hardware that is used for PS/2 Model 50 computers and above to provide better growth potential and performance characteristics when compared with the original personal computer design.

**Microsoft Cluster Server (MSCS).** MSCS, a feature of Windows NT Server (Enterprise Edition), supports the connection of two servers into a cluster for higher availability and easier manageability. MSCS can automatically detect and recover from server or application failures. It can also be used to balance server workload and provide for planned maintenance.

**mini hub.** An interface card or port device that receives short-wave fiber channel GBICs or SFPs. These devices enable redundant fibre channel connections from the host computers, either directly or through a fibre channel switch or managed hub, over optical fiber cables to the DS4000 Storage Server controllers. Each DS4000 controller is responsible for two mini hubs. Each mini hub has two ports. Four host ports (two on each controller) provide a cluster solution without use of a switch. Two host-side mini hubs are shipped as standard. See also *host port*, *gigabit interface converter (GBIC)*, *small form-factor pluggable (SFP)*.

**mirroring.** A fault-tolerance technique in which information on a hard disk is duplicated on additional hard disks. See also *remote mirroring*.

**model.** The model identification that is assigned to a device by its manufacturer.

**MSCS.** See *Microsoft Cluster Server*.

**network management station (NMS).** In the Simple Network Management Protocol (SNMP), a station that runs management application programs that monitor and control network elements.

**NMI.** See *non-maskable interrupt*.

**NMS.** See *network management station*.

**non-maskable interrupt (NMI).** A hardware interrupt that another service request cannot overrule (mask). An NMI bypasses and takes priority over interrupt requests generated by software, the keyboard, and other such devices and is issued to the microprocessor only in disastrous circumstances, such as severe memory errors or impending power failures.

**node.** A physical device that allows for the transmission of data within a network.

**node port (N\_port).** A fibre-channel defined hardware entity that performs data communications over the fibre-channel link. It is identifiable by a unique worldwide name. It can act as an originator or a responder.

**nonvolatile storage (NVS).** A storage device whose contents are not lost when power is cut off.

**N\_port.** See *node port*.

**NVS.** See *nonvolatile storage*.

**NVSRAM.** Nonvolatile storage random access memory. See *nonvolatile storage*.

**Object Data Manager (ODM).** An AIX proprietary storage mechanism for ASCII stanza files that are edited as part of configuring a drive into the kernel.

**ODM.** See *Object Data Manager*.

**out-of-band.** Transmission of management protocols outside of the fibre-channel network, typically over Ethernet.

**partitioning.** See *storage partition*.

**parity check.** (1) A test to determine whether the number of ones (or zeros) in an array of binary digits is odd or even. (2) A mathematical operation on the numerical representation of the information communicated between two pieces. For example, if parity is odd, any character represented by an even number has a bit added to it, making it odd, and an information receiver checks that each unit of information has an odd value.

**PCI local bus.** See *peripheral component interconnect local bus*.

**PDF.** See *portable document format*.

**performance events.** Events related to thresholds set on storage area network (SAN) performance.

**peripheral component interconnect local bus (PCI local bus).** A local bus for PCs, from Intel, that provides a high-speed data path between the CPU and up to 10 peripherals (video, disk, network, and so on). The PCI bus coexists in the PC with the Industry Standard Architecture (ISA) or Extended Industry Standard Architecture (EISA) bus. ISA and EISA boards plug into an IA or EISA slot, while high-speed PCI controllers plug into a PCI slot. See also *Industry Standard Architecture*, *Extended Industry Standard Architecture*.

**polling delay.** The time in seconds between successive discovery processes during which discovery is inactive.

**port.** A part of the system unit or remote controller to which cables for external devices (such as display stations, terminals, printers, switches, or external storage units) are attached. The port is an access point for data entry or exit. A device can contain one or more ports.

**portable document format (PDF).** A standard specified by Adobe Systems, Incorporated, for the electronic distribution of documents. PDF files are compact; can be distributed globally by e-mail, the Web, intranets, or CD-ROM; and can be viewed with the

Acrobat Reader, which is software from Adobe Systems that can be downloaded at no cost from the Adobe Systems home page.

**premium feature key.** A file that the storage subsystem controller uses to enable an authorized premium feature. The file contains the feature enable identifier of the storage subsystem for which the premium feature is authorized, and data about the premium feature. See also *feature enable identifier*.

**private loop.** A freestanding arbitrated loop with no fabric attachment. See also *arbitrated loop*.

**program temporary fix (PTF).** A temporary solution or bypass of a problem diagnosed by IBM in a current unaltered release of the program.

**PTF.** See *program temporary fix*.

**RAID.** See *redundant array of independent disks (RAID)*.

**RAID level.** An array's RAID level is a number that refers to the method used to achieve redundancy and fault tolerance in the array. See also *array, redundant array of independent disks (RAID)*.

**RAID set.** See *array*.

**RAM.** See *random-access memory*.

**random-access memory (RAM).** A temporary storage location in which the central processing unit (CPU) stores and executes its processes. Contrast with *DASD*.

**RDAC.** See *redundant disk array controller*.

**read-only memory (ROM).** Memory in which stored data cannot be changed by the user except under special conditions.

**recoverable virtual shared disk (RVSD).** A virtual shared disk on a server node configured to provide continuous access to data and file systems in a cluster.

**redundant array of independent disks (RAID).** A collection of disk drives (*array*) that appears as a single volume to the server, which is fault tolerant through an assigned method of data striping, mirroring, or parity checking. Each array is assigned a RAID level, which is a specific number that refers to the method used to achieve redundancy and fault tolerance. See also *array, parity check, mirroring, RAID level, striping*.

**redundant disk array controller (RDAC).** (1) In hardware, a redundant set of controllers (either active/passive or active/active). (2) In software, a layer that manages the input/output (I/O) through the active controller during normal operation and transparently reroutes I/Os to the other controller in the redundant set if a controller or I/O path fails.

**remote mirroring.** Online, real-time replication of data between storage subsystems that are maintained on separate media. The Enhanced Remote Mirror Option is a DS5000 premium feature that provides support for remote mirroring. See also *Global Mirroring, Metro Mirroring*.

**ROM.** See *read-only memory*.

**router.** A computer that determines the path of network traffic flow. The path selection is made from several paths based on information obtained from specific protocols, algorithms that attempt to identify the shortest or best path, and other criteria such as metrics or protocol-specific destination addresses.

**RVSD.** See *recoverable virtual shared disk*.

**SAI.** See *Storage Array Identifier*.

**SA Identifier.** See *Storage Array Identifier*.

**SAN.** See *storage area network*.

**SATA.** See *serial ATA*.

**scope.** Defines a group of controllers by their Internet Protocol (IP) addresses. A scope must be created and defined so that dynamic IP addresses can be assigned to controllers on the network.

**SCSI.** See *small computer system interface*.

**segmented loop port (SL\_port).** A port that allows division of a fibre-channel private loop into multiple segments. Each segment can pass frames around as an independent loop and can connect through the fabric to other segments of the same loop.

**sense data.** (1) Data sent with a negative response, indicating the reason for the response. (2) Data describing an I/O error. Sense data is presented to a host system in response to a sense request command.

**serial ATA.** The standard for a high-speed alternative to small computer system interface (SCSI) hard drives. The SATA-1 standard is equivalent in performance to a 10 000 RPM SCSI drive.

**serial storage architecture (SSA).** An interface specification from IBM in which devices are arranged in a ring topology. SSA, which is compatible with small computer system interface (SCSI) devices, allows full-duplex packet multiplexed serial data transfers at rates of 20 Mbps in each direction.

**server.** A functional hardware and software unit that delivers shared resources to workstation client units on a computer network.

**server/device events.** Events that occur on the server or a designated device that meet criteria that the user sets.

**SFP.** See *small form-factor pluggable*.

**Simple Network Management Protocol (SNMP).** In the Internet suite of protocols, a network management protocol that is used to monitor routers and attached networks. SNMP is an application layer protocol. Information on devices managed is defined and stored in the application's Management Information Base (MIB).

**SL\_port.** See *segmented loop port*.

**SMagent.** The DS5000 Storage Manager optional Java-based host-agent software, which can be used on Microsoft Windows, Novell NetWare, AIX, HP-UX, Solaris, and Linux on POWER host systems to manage storage subsystems through the host fibre-channel connection.

**SMclient.** The DS5000 Storage Manager client software, which is a Java-based graphical user interface (GUI) that is used to configure, manage, and troubleshoot storage servers and storage expansion enclosures in a DS5000 storage subsystem. SMclient can be used on a host system or on a storage management station.

**SMruntime.** A Java compiler for the SMclient.

**SMutil.** The DS5000 Storage Manager utility software that is used on Microsoft Windows, AIX, HP-UX, Solaris, and Linux on POWER host systems to register and map new logical drives to the operating system. In Microsoft Windows, it also contains a utility to flush the cached data of the operating system for a particular drive before creating a FlashCopy.

**small computer system interface (SCSI).** A standard hardware interface that enables a variety of peripheral devices to communicate with one another.

**small form-factor pluggable (SFP).** An optical transceiver that is used to convert signals between optical fiber cables and switches. An SFP is smaller than a gigabit interface converter (GBIC). See also *gigabit interface converter*.

**SNMP.** See *Simple Network Management Protocol* and *SNMPv1*.

**SNMP trap event.** (1) (2) An event notification sent by the SNMP agent that identifies conditions, such as thresholds, that exceed a predetermined value. See also *Simple Network Management Protocol*.

**SNMPv1.** The original standard for SNMP is now referred to as SNMPv1, as opposed to SNMPv2, a revision of SNMP. See also *Simple Network Management Protocol*.

**SRAM.** See *static random access memory*.

**SSA.** See *serial storage architecture*.

**static random access memory (SRAM).** Random access memory based on the logic circuit known as flip-flop. It is called static because it retains a value as long as power is supplied, unlike dynamic random access memory (DRAM), which must be regularly refreshed. It is however, still volatile, meaning that it can lose its contents when the power is turned off.

**storage area network (SAN).** A dedicated storage network tailored to a specific environment, combining servers, storage products, networking products, software, and services. See also *fabric*.

**Storage Array Identifier (SAI or SA Identifier).** The Storage Array Identifier is the identification value used by the DS5000 Storage Manager host software (SMClient) to uniquely identify each managed storage server. The DS5000 Storage Manager SMClient program maintains Storage Array Identifier records of previously-discovered storage servers in the host resident file, which allows it to retain discovery information in a persistent fashion.

**storage expansion enclosure (EXP).** A feature that can be connected to a system unit to provide additional storage and processing capacity.

**storage management station.** A system that is used to manage the storage subsystem. A storage management station does not need to be attached to the storage subsystem through the fibre-channel input/output (I/O) path.

**storage partition.** Storage subsystem logical drives that are visible to a host computer or are shared among host computers that are part of a host group.

**storage partition topology.** In the DS5000 Storage Manager client, the Topology view of the Mappings window displays the default host group, the defined host group, the host computer, and host-port nodes. The host port, host computer, and host group topological elements must be defined to grant access to host computers and host groups using logical drive-to-LUN mappings.

**striping.** Splitting data to be written into equal blocks and writing blocks simultaneously to separate disk drives. Striping maximizes performance to the disks. Reading the data back is also scheduled in parallel, with a block being read concurrently from each disk then reassembled at the host.

**subnet.** An interconnected but independent segment of a network that is identified by its Internet Protocol (IP) address.

**sweep method.** A method of sending Simple Network Management Protocol (SNMP) requests for information to all the devices on a subnet by sending the request to every device in the network.

**switch.** A fibre-channel device that provides full bandwidth per port and high-speed routing of data by using link-level addressing.

**switch group.** A switch and the collection of devices connected to it that are not in other groups.

**switch zoning.** See *zoning*.

**synchronous write mode.** In remote mirroring, an option that requires the primary controller to wait for the acknowledgment of a write operation from the secondary controller before returning a write I/O request completion to the host. See also *asynchronous write mode*, *remote mirroring*, *Metro Mirroring*.

**system name.** Device name assigned by the vendor's third-party software.

**TCP.** See *Transmission Control Protocol*.

**TCP/IP.** See *Transmission Control Protocol/Internet Protocol*.

**terminate and stay resident program (TSR program).** A program that installs part of itself as an extension of DOS when it is executed.

**topology.** The physical or logical arrangement of devices on a network. The three fibre-channel topologies are fabric, arbitrated loop, and point-to-point. The default topology for the disk array is arbitrated loop.

**TL\_port.** See *translated loop port*.

**transceiver.** A device that is used to transmit and receive data. Transceiver is an abbreviation of transmitter-receiver.

**translated loop port (TL\_port).** A port that connects to a private loop and allows connectivity between the private loop devices and off loop devices (devices not connected to that particular TL\_port).

**Transmission Control Protocol (TCP).** A communication protocol used in the Internet and in any network that follows the Internet Engineering Task Force (IETF) standards for internetwork protocol. TCP provides a reliable host-to-host protocol between hosts in packet-switched communication networks and in interconnected systems of such networks. It uses the Internet Protocol (IP) as the underlying protocol.

**Transmission Control Protocol/Internet Protocol (TCP/IP).** A set of communication protocols that provide peer-to-peer connectivity functions for both local and wide-area networks.

**trap.** In the Simple Network Management Protocol (SNMP), a message sent by a managed node (agent function) to a management station to report an exception condition.

**trap recipient.** Receiver of a forwarded Simple Network Management Protocol (SNMP) trap. Specifically, a trap receiver is defined by an Internet Protocol (IP) address and port to which traps are sent. Presumably, the actual recipient is a software application running at the IP address and listening to the port.

**TSR program.** See *terminate and stay resident program*.

**uninterruptible power supply.** A source of power from a battery that is installed between a computer system and its power source. The uninterruptible power supply keeps the system running if a commercial power failure occurs, until an orderly shutdown of the system can be performed.

**user action events.** Actions that the user takes, such as changes in the storage area network (SAN), changed settings, and so on.

**worldwide port name (WWPN).** A unique identifier for a switch on local and global networks.

**worldwide name (WWN).** A globally unique 64-bit identifier assigned to each fibre channel port.

**WORM.** See *write-once read-many*.

**write-once read many (WORM).** Any type of storage medium to which data can be written only a single time, but can be read from any number of times. After the data is recorded, it cannot be altered.

**WWN.** See *worldwide name*.

**zoning.** (1) In fibre channel environments, the grouping of multiple ports to form a virtual, private, storage network. Ports that are members of a zone can communicate with each other, but are isolated from ports in other zones. (2) A function that allows segmentation of nodes by address, name, or physical port and is provided by fabric switches or hubs.



# Index

## A

- a hot-swap E-DDM
  - replacing 72
- a hot-swap hard disk drive
  - replacing 72
- about this document xvii
- accessible documentation 142
- acoustical noise emission values 16
- airflow 6, 15, 18
- AIX host
  - support xxv
- altitude ranges 15
- area requirements 13
- audience xvii

## B

- bays
  - hot-swap drive 4
- best practices 11
- blank trays 68
- board ID 50

## C

- cabling
  - a EXP520 to a DS4500 41
  - a fibre-channel loop 32
  - an IBM EXP520 37
  - device overview 41
  - drive loop 65
  - fibre-channel restrictions 32
  - for power 32
  - power supply 44
  - SFP modules 32
- caution and danger notices xi
- checking
  - drive module 51
- checking the LEDs 51
- compatibility, hardware and software 10
- components
  - 2 Gbps hard disk drives 3
  - environmental services modules 3
  - power supply and fan units 3
  - weights 13
- components, installing and replacing 65
- contamination, particulate and gaseous 142
- controller
  - information record 106
- controller information 50
- cooling 18
- Copy Services Guide 125
- customer replaceable units (FRUs) 3

## D

- data sheet 106

- device drivers
  - downloading latest versions xxiii
- document organization xvii
- documentation
  - documents xxiii
  - DS Storage Manager 125
  - DS4000 125
  - DS4100 SATA Storage Subsystem 133
  - DS4200 Express Storage Subsystem 132
  - DS4300 Fibre Channel Storage Subsystem 131
  - DS4400 Fibre Channel Storage Subsystem 130
  - DS4500 Storage Subsystem 129
  - DS4700 Storage Subsystem 128
  - DS4800 Storage Subsystem 127
  - DS5000 125
  - DS5000-related documents 136
  - DS5020 Storage Subsystem 126
  - DS5100 and DS5300 Storage Subsystem 126
  - Web sites xxiv
- documentation format 142
- drive
  - 2 or 4 Gbps 4
  - amber Fault LED 5
  - green Activity LED 5
  - trays 4
- drive FRU labels 69
- drive FRUs 68
- drive information 50
- drive LED activity 69
- drive LEDs 69
- drive, hard disk
  - replacing all at same time 73, 74
  - replacing one at a time 73, 76
- drivers xxiii
- drives
  - maximum number 52
- DS documentation 125
- DS Storage Manager
  - documentation 125
- DS4000 documentation 125
- DS4100
  - Storage Subsystem library 133
- DS4200 Express
  - Storage Subsystem library 132
- DS4300
  - Storage Subsystem library 131
- DS4400
  - Storage Subsystem library 130
- DS4500
  - Storage Subsystem library 129
- DS4700
  - Storage Subsystem library 128
- DS4800
  - Storage Subsystem library 127
- DS5000
  - Hardware Maintenance Manual 136
  - Problem Determination Guide 136
  - Storage Expansion Enclosure documentation 134

- DS5000 documentation 125
- DS5000 Storage Manager
  - related documents 136
- DS5020
  - Storage Subsystem library 126
- DS5100 and DS5300
  - Storage Subsystem library 126

## E

- E-DDM
  - 2 or 4 Gbps 4
  - replacing all at same time 73, 74
  - replacing one at a time 76
- E-DDM information 50
- E-DDMs
  - replacing one at a time 73
- EIA 310-D Type A 19-inch rack cabinet 26
- electrical requirements 17
- emergency shutdown 60
- enclosure ID 31
- enclosure information 50
- environmental requirements and specifications 14
- environmental service module (ESM) 3
  - description 5
  - location 5
  - SFP module ports, cabling 32
- EXP5000
  - dimensions 13
  - general checkout 93
  - parts listing 101
- EXP520
  - cabling 41
  - environmental requirements and specifications 14

## F

- FC-SAS, definition of 2
- Fibre Channel overview 2
- fibre-channel loop 32
  - adding the EXP520 65
- fibre-channel loop and ID
  - midplane 32
  - setting 31, 32
- fibre-channel loop IDs 70
- fibre-optic cable, handling 36
- fire suppression xxvi
- firmware levels, determining 10
- firmware updates 49
- front bezel 52

## G

- gaseous contamination 142
- glossary 147
- guidelines, fibre-optic cables 36

## H

- hard disk drive
  - replacing all at same time 73, 74
  - replacing one at a time 73, 76
- hardware compatibility 10
- hardware fault indicator LEDs 51
- hardware service and support xxv
- Health Check process 45
- heat dissipation 15
- heat output 18
- host bus adapter 23
- hot swap
  - drive bays 4
  - drive LED activity described 69
  - hardware 70
- hot-swap E-DDMs 68
- hot-swap ESM
  - replacing failed ESM 83
- hot-swap hard disk drives 68
  - installing 70

## I

- IBM Safety Information 136
- IBM System Storage DS5000
  - Health Check process 45
- IBM System Storage Productivity Center xxiv
- identification numbers 105
- indicator LEDs
  - during power on 51
- indicator lights
  - drive Active 52
  - power supply and fan unit Fault 6
  - power supply and fan unit Power 6
- information record, storage subsystem and controller 106
- installation
  - into a rack 28
  - into a rack cabinet 21
  - preparation 22
- installed device records 108
- installing and replacing components
  - hot-swap hard disk drives 65
- installing and replacing devices
  - blank trays 68
- Intel and AMD-based host support xxv
- inventory checklist 3

## L

- LC-LC fibre-channel cable 37
  - connecting to an SFP 38
  - removing 39
- LEDs
  - diagnostic 54
  - front 52
  - power supply and fan unit 51
  - rear 53



- Linux host
  - support xxv
- loop redundancy 32
  - correct example 43
- loop redundancy, described 43

## M

- midplane
  - replacing 87
- Migration Guide 125
- multiple drives
  - replacing 73
- multiple E-DDMs
  - replacing 73
- My Support 11

## N

- non-IBM rack installation 113
- notes, important 141
- notices 139
  - safety and caution xi
- numbers, drive ID 5
- numeric display 54

## O

- overheating, power supplies 61
- overview of the product 1

## P

- part numbers, power cords 121
- particulate contamination 142
- planned shutdown, powering off 57
- power cabling 32
- power cord use by country 121
- power cords 121
  - routing 23
- power cords and receptacles 18
- power indicator light
  - power supply and fan unit 6
- power outage
  - due to overheated power supplies 61
- power recovery 18
- power redundancy 12
- power requirements 17
- power supply
  - cabling 44
- power supply and fan unit
  - described 6
  - replacing 78
- power supply and fan units
  - description 6
- power-fan canister
  - recovering from shutdown 61
- power, restoring after an emergency 60
- powering off
  - for planned shutdown 57

- powering on
  - after planned shutdown 47
  - after power supply shutdown 61
  - at initial startup 47
- problem
  - determination 93
- product ID 50
- product overview 1

## R

- rack cabinet
  - EIA 310-D Type A 19 inch 26
  - preparatory procedures 24
  - rail installation 26
  - site preparation 22
- rack mounting template for EXP520 109
- RAID controllers 32
- rail installation 26
- rear
  - LEDs 53
- recommendations
  - cabling 40
- records
  - identification numbers 105
  - installed device 108
- replacing components
  - Service Action Allowed Status LED 65
- replacing failed
  - midplane 87
  - power supply and fan unit 78
  - SFP module 85
- resources
  - documents xxiii
  - Web sites xxiv
- restoring power
  - after planned shutdown 47
  - after power supply shutdown 61
- restoring power after an emergency 60
- restrictions
  - fibre-channel cable 32
- rules
  - cabling 40

## S

- safety information xi
- safety, static-sensitive devices 22
- SAS technology, definition of 2
- SATA technology 2
- saving the storage subsystem configuration 12
- saving the storage subsystem profile 12
- settings
  - fibre-channel loop and ID 31, 32
- SFP modules
  - described 8
  - replacing 85
- shock and vibrations requirements 16
- shutdown, emergency 60
- site preparation 23
- site wiring requirements 17

- small form-factor pluggable module (SFP)
  - connecting an LC-LC fibre-channel cable 38
  - important information about 33
  - port location, DS4500 41
  - protective cap 34
  - removal 35
  - removing an LC-LC cable 39
  - static-protective package 34
- Small Form-Factor Pluggable modules
  - described 8
- Small-form Factor Pluggable modules
  - replacing 85
- software compatibility 10
- specifications 13
- specifications, fibre-optic cables 36
- SSPC xxiv
- SSPC (System Storage Productivity Center) xxiv
- startup sequence 47
- static-sensitive devices, handling 22
- storage area network (SAN)
  - technical support Web site xxv
- storage expansion enclosure
  - airflow 6
  - cabling 32
  - checking status 51
  - drive ID numbers 5
  - fans 6
  - fault indicator LEDs 51
  - identification numbers 105
  - performing an emergency shutdown 60
  - power supply and fan unit 6
  - records 105
  - restoring power after an emergency 60
  - startup sequence 47
  - troubleshooting 50
  - turn on and turn off the 47
  - turning off 57
  - turning on before storage subsystem 76
- Storage Manager
  - installing for use with IBM System Storage Productivity Center xxiv
- Storage Manager software
  - where to obtain xxiii
- storage manager software and hardware
  - compatibility 9
- storage subsystem
  - cabling 41
  - information record 106
- storage subsystem configuration 12
- storage subsystem profile 12
- submodel ID 50
- support code upgrades
  - software and firmware 9
- support notifications 11
- switch
  - technical support Web site xxv
- switches 23
- System p host
  - support xxv
- System Storage Interoperation Center (SSIC) xxiv
- System Storage Productivity Center xxiv

- System Storage Productivity Center (SSPC) xxiv
- System x host
  - support xxv

## T

- T10 PI technology, definition of 3
- tasks by document title 125
- tasks by documentation title 125
- temperature and humidity 14
- temperature, maximum 61
- template, rack mounting 109
- trademarks 140
- troubleshooting 93
  - no power 61
  - overheating problem 61
  - procedure 50
- turning off power
  - for planned shutdown 57
- turning off the storage expansion enclosure 57
- turning on power
  - after power supply shutdown 61
  - at initial startup 47

## U

- uninterruptible power supply (UPS) 23
- updates (product updates) 11
- upgrades, support code 9
- user controls 5

## W

- Web sites
  - AIX xxv
  - Fix central xxv
  - IBM publications center xxv
  - IBM System Storage product information xxv
  - list xxiv
  - premium feature activation xxiv
  - SAN support xxv
  - SSIC xxiv
  - switch support xxv
  - System p xxv
  - System Storage Productivity Center (SSPC) xxiv
  - System x xxv





Part Number: 46W6897

Printed in USA

GA32-0957-04



(1P) P/N: 46W6897

